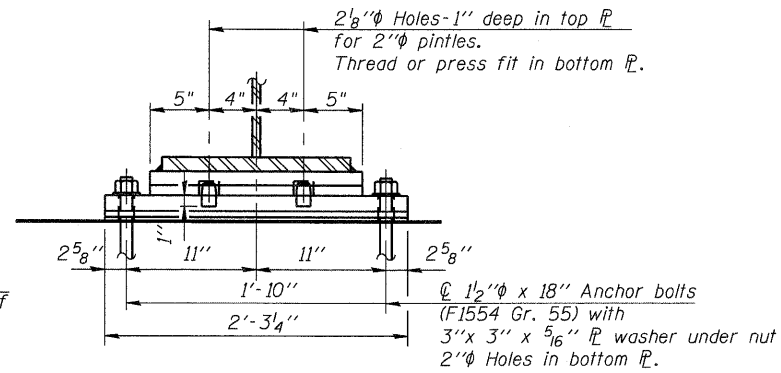
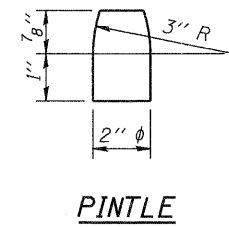


ELEVATION AT ABUT.

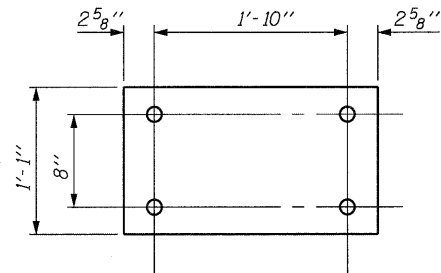


SECTION A-A



PINTLE

LOW PROFILE FIXED BEARING



BASE PL

SHIM PL THICKNESS TABLE

Location	G12	G14	G15
North Abutment	5/8"	1/4"	5/8"

Notes:

Anchor bolts shall be ASTM F1554 all-thread (or an Engineer-approved alternate material) of the grade(s) and diameter(s) specified. ASTM A307 Grade C anchor bolts may be used in lieu of ASTM F1554 Grade 36 (Fy=36ksi). The corresponding specified grade of AASHTO M314 anchor bolts may be used in lieu of ASTM F1554.

Anchor bolts at fixed bearings may be either cast in place or installed in holes drilled after the supported member is in place.

Drilled and set anchor bolts shall be installed according to Article 521.06 of the Standard Specifications.

Cost of Fixed Bearing Assembly, excluding Anchor Bolts, to be included in the cost of "Furnishing and Erecting Structural Steel"

See Sheet 38 for location of fixed bearings.

BILL OF MATERIAL

Item	Unit	Total
Anchor Bolts, 1 1/2"	Each	32

FILE NAME = 0450079-60122-044-Low_Profile_Fixed_Brg.dgn	USER NAME = jehrhart	DESIGNED - KJH	REVISED -
		CHECKED - MJL	REVISED -
	PLOT SCALE = 1:0.0833333	DRAWN - MJL	REVISED -
	PLOT DATE = 3/20/2012	CHECKED - PMH	REVISED -

F.A.P. RTE. 347	SECTION LY (HB & VB)	COUNTY DUPAGE/KANE	TOTAL SHEETS 421	SHEET NO. 2X0
ILLINOIS FED. AID PROJECT				CONTRACT NO. 60122