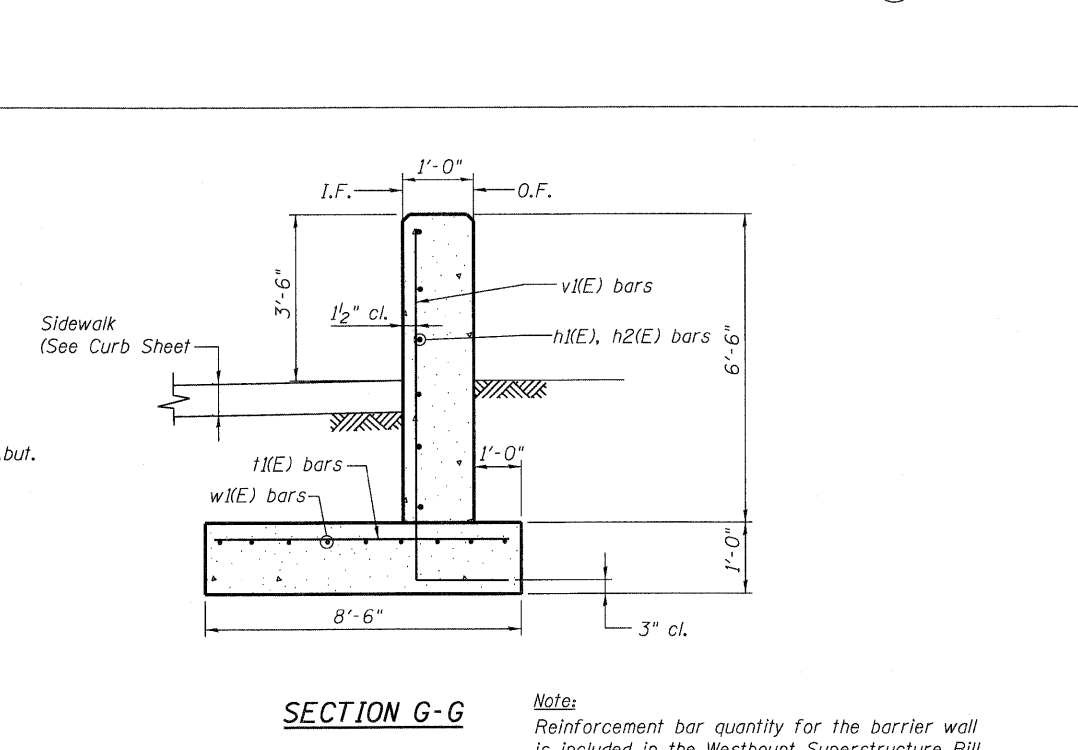
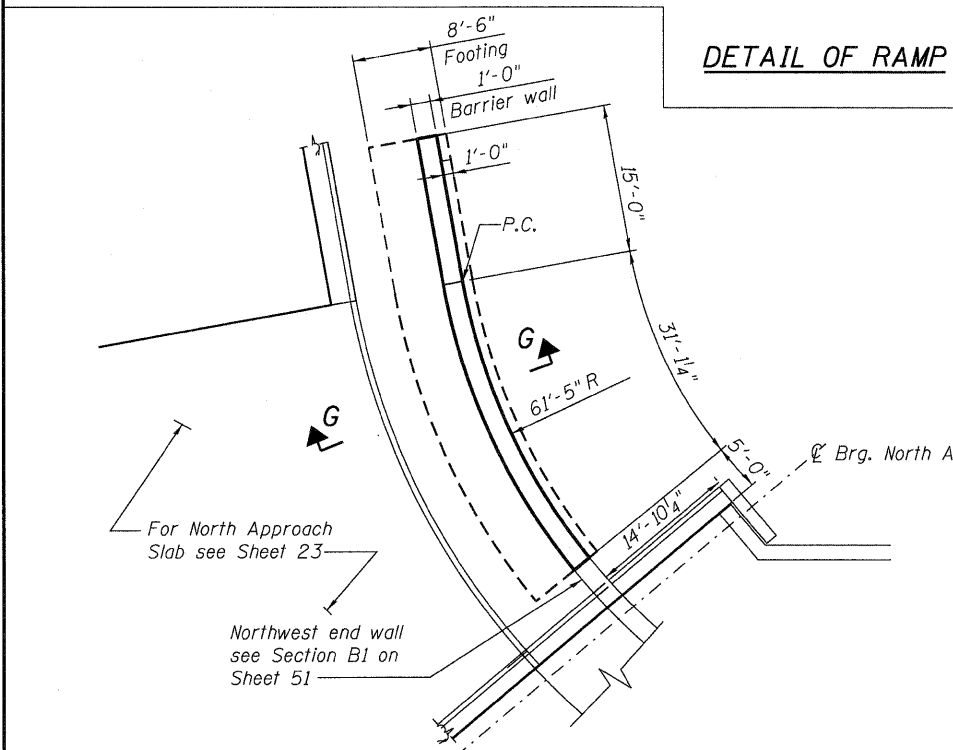
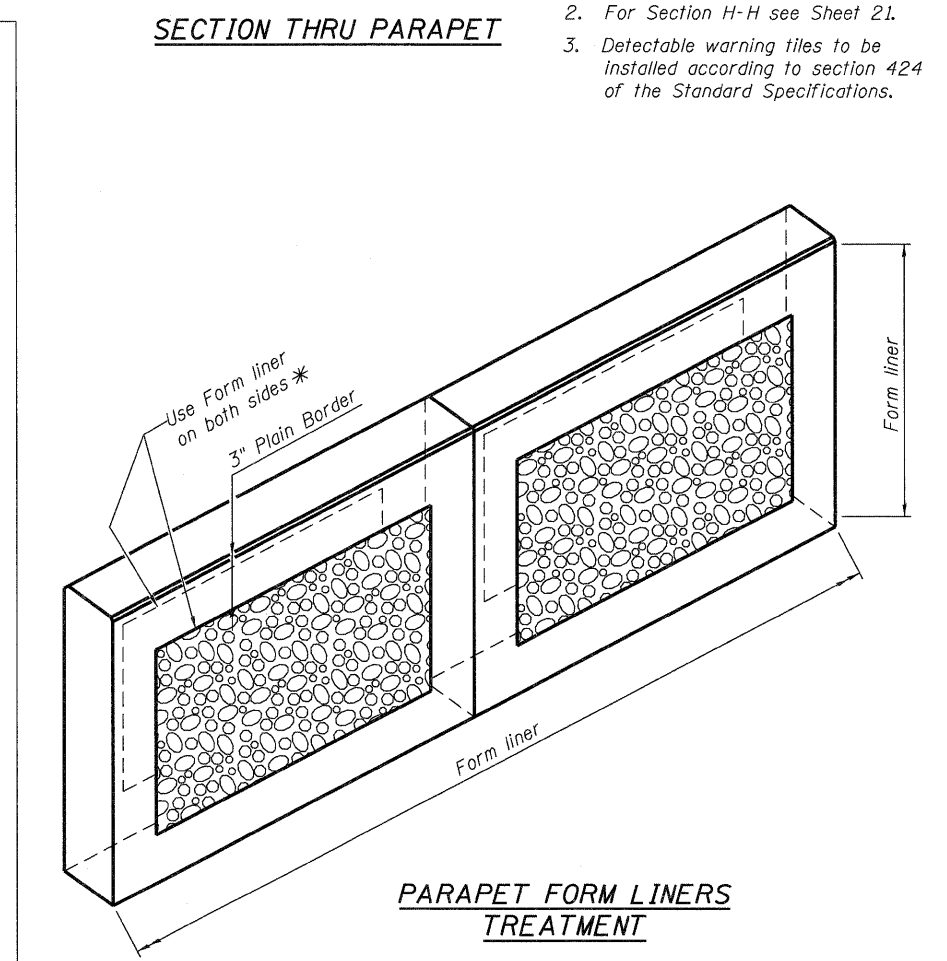
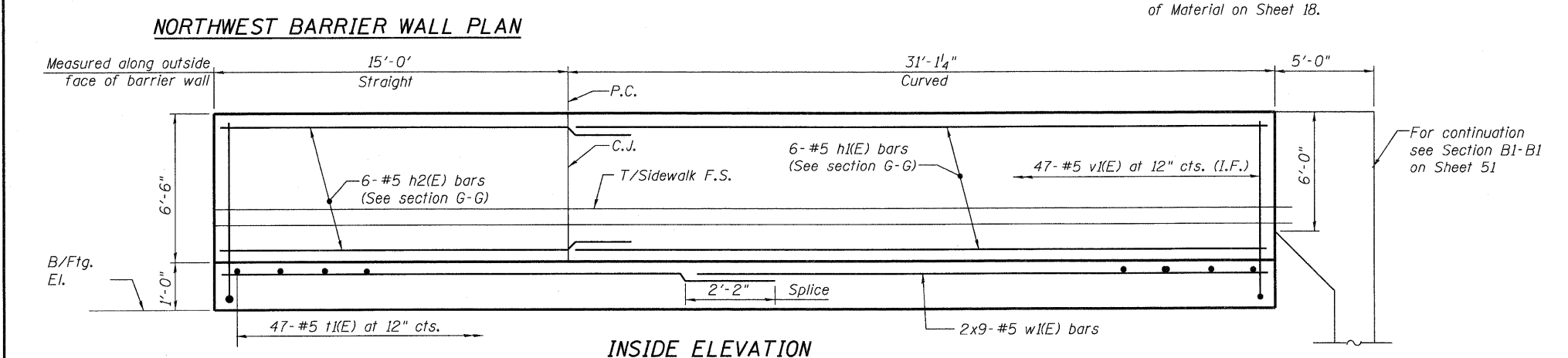


- Note:
1. For Traffic Mast pole steel support framing see Sheet 41.
 2. For Section H-H see Sheet 21.
 3. Detectable warning tiles to be installed according to section 424 of the Standard Specifications.



Note:
Reinforcement bar quantity for the barrier wall is included in the Westbound Superstructure Bill of Material on Sheet 18.



* Form Liner Note:
See special provision for Form Liner Textured Surface. Pay limits are measured full height of parapet by length along each face.

McDonough Associates Inc.
Engineers / Architects
130 East Randolph Street Chicago, Illinois 60601

FILE NAME =	USER NAME =	DESIGNED - JKD	REVISED -	STATE OF ILLINOIS DEPARTMENT OF TRANSPORTATION	CURB RAMP FOR SIDEWALK STRUCTURE NO. 045-0079	F.A.P. RTE. 347	SECTION LY (HB & VB)	COUNTY DUPAGE/KANE	TOTAL SHEETS 421	SHEET NO. 224
PLOT SCALE =	DRAWN - JDK	REVISED -	SHEET NO. 58 OF 67 SHEETS			CONTRACT NO. 60122				
PLOT DATE =	CHECKED - GEK	REVISED -	ILLINOIS FED. AID PROJECT							