

MATCHLINE STA. 664+00
SEE SHEET NO. 41

MATCHLINE
SEE SHEET NO. 42

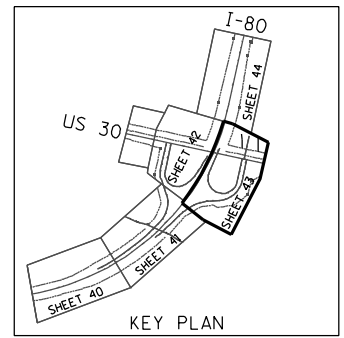
MATCHLINE STA. 678+50
SEE SHEET NO. 44

ASPHALT CONCRETE
(THERMO- (POLYUREA)
PLASTIC)

CL F.A.I. ROUTE I-80

RAMP CB

RAMP BD



- LEGEND**
- ① THERMOPLASTIC PAVEMENT MARKING - LINE 4" (SOLID WHITE)
 - ② THERMOPLASTIC PAVEMENT MARKING - LINE 4" (SOLID YELLOW)
 - ③ PREFORMED PLASTIC PAVEMENT MARKING, TYPE B, 4" (WHITE 2' DASH-6' SKIP)
GROOVING FOR RECESSED PAVEMENT MARKING 5"
 - ④ PREFORMED PLASTIC PAVEMENT MARKING, TYPE B, 5" (WHITE 10' DASH-30' SKIP)
GROOVING FOR RECESSED PAVEMENT MARKING 5"
 - ⑤ THERMOPLASTIC PAVEMENT MARKING - LINE 8" (SOLID WHITE)
 - ⑥ THERMOPLASTIC PAVEMENT MARKING - LINE 12" (SOLID WHITE)
 - ⑦ POLYUREA PM T1 LN 4 (SOLID WHITE)
 - ⑧ POLYUREA PM T1 LN 4 (SOLID YELLOW)
 - ⑨ POLYUREA PM T1 LN 5 (WHITE 10' DASH-30' SKIP)
 - ⑩ POLYUREA PM T1 LN 8 (SOLID WHITE)
 - ⑪ POLYUREA PM T1 LN 12 (SOLID WHITE)
 - ⑫ SHOULDER RUMBLE STRIP, 16 INCH

ENGINEERING CONSULTANT

Ciorba Group, Inc.
 CONSULTING ENGINEERS
 8007 North Cumberland Avenue, Suite 402
 Chicago, Illinois 60634
 Tel. 773.778.4008 Fax 773.778.4914
 Email: ciorba@ciorba.com

USER NAME = jk.jeilman
PLOT SCALE = 100.0000' / IN.
PLOT DATE = 3/22/2012

DESIGNED - JMK	REVISD -
DRAWN - JMK	REVISD -
CHECKED - MJL	REVISD -
DATE - 02-14-2012	REVISD -

**STATE OF ILLINOIS
DEPARTMENT OF TRANSPORTATION**

**F.A.I. ROUTE 80 AT U.S. ROUTE 30 LIGHTING
PAVEMENT MARKING PLAN**

SCALE: 1" = 50' SHEET NO. OF SHEETS STA. TO STA.

F.A.I. RTE.	SECTION	COUNTY	TOTAL SHEETS	SHEET NO.
80	2011-046-L	WILL	106	43
			CONTRACT NO. 60P56	
ILLINOIS FED. AID PROJECT				

\\svr202\public\proj\0802384-006_high_mast\design\Stripping_Signing\384_6_US30_High_Mast_pmk04.dgn