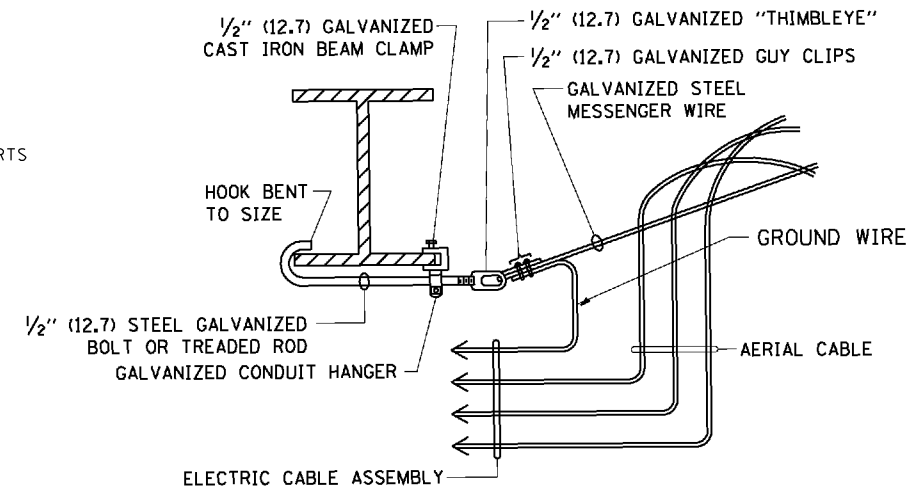


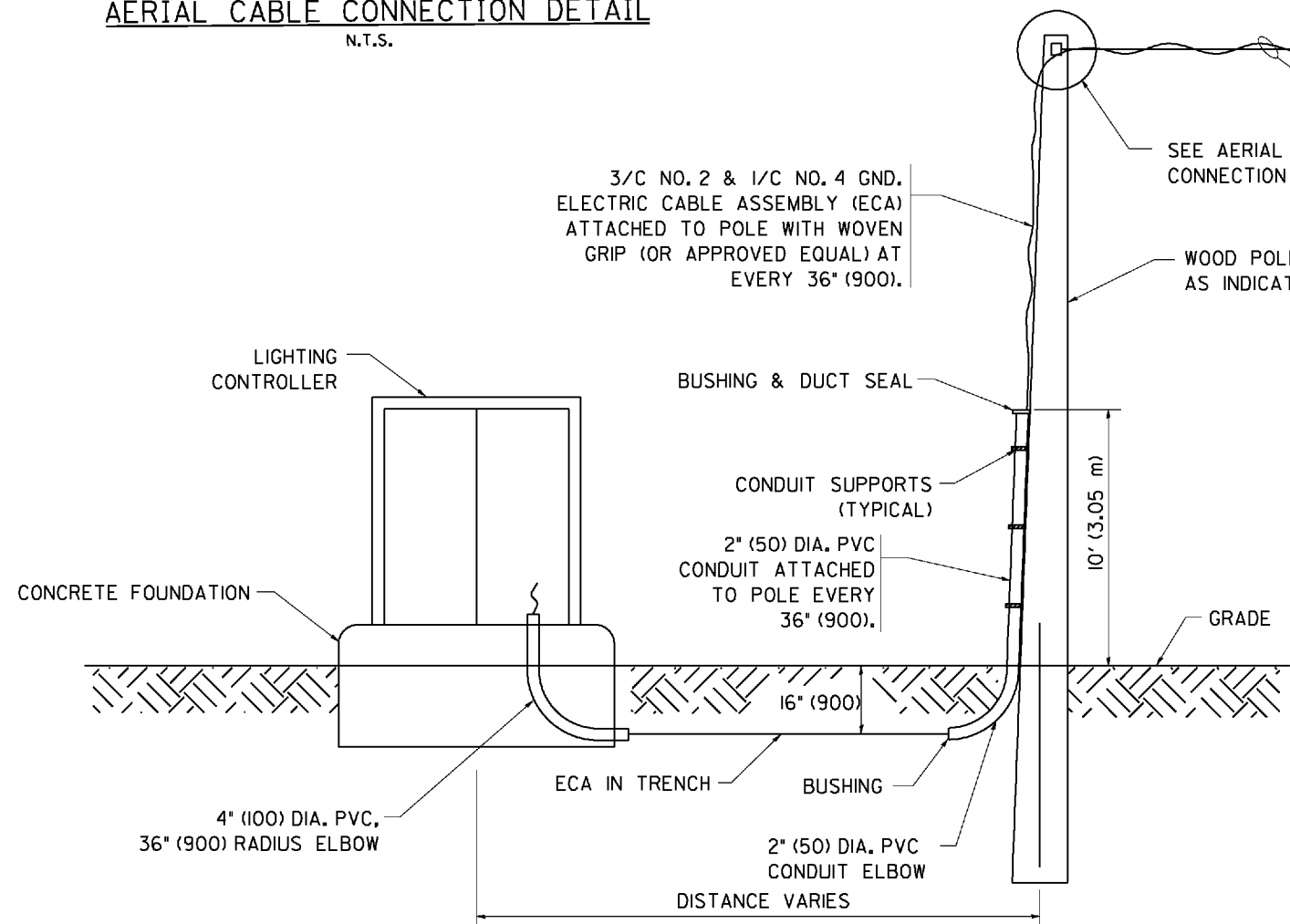
AERIAL CABLE CONNECTION DETAIL
N.T.S.

NOTES:

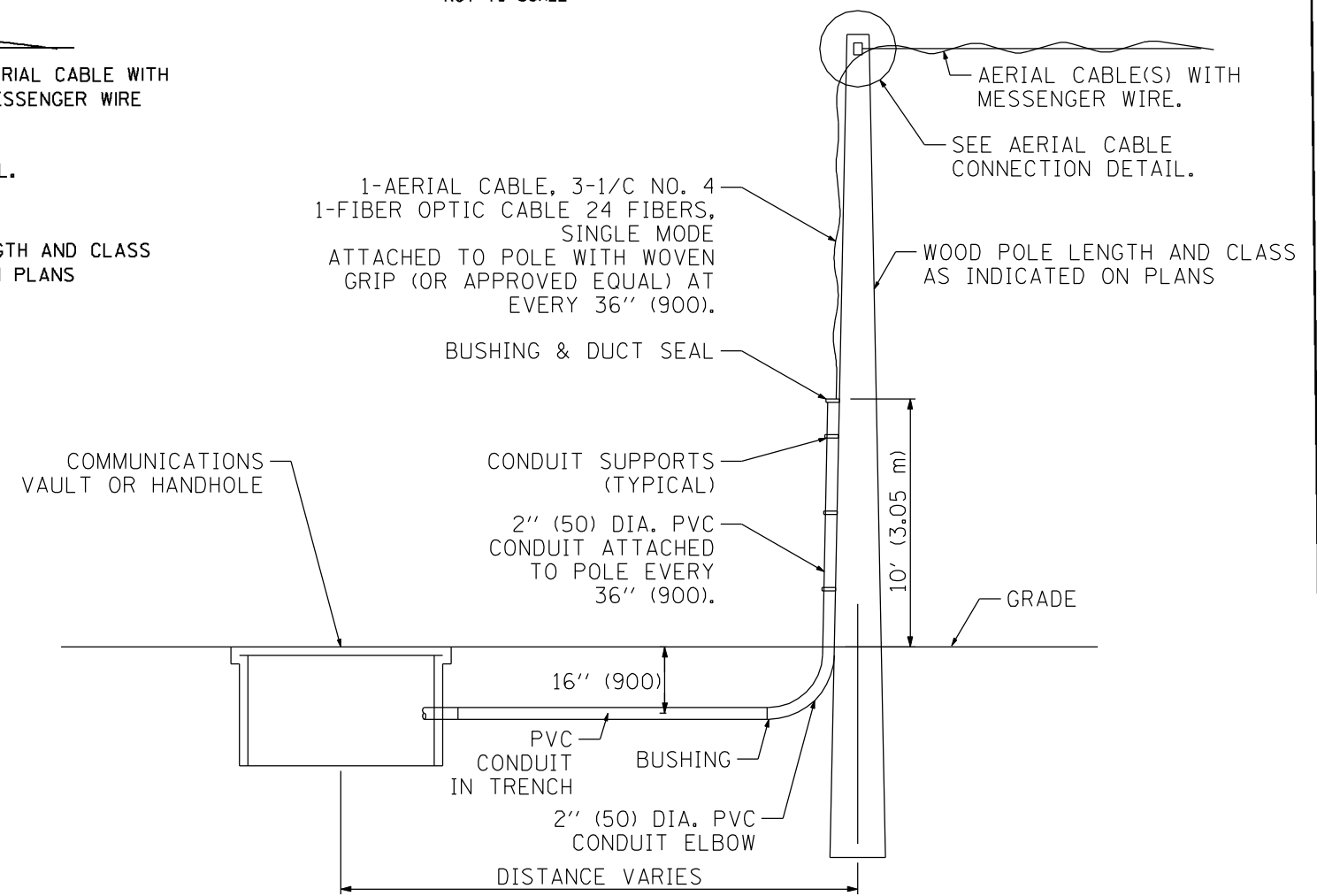
1. ALL DIMENSIONS IN INCHES (MILLIMETERS) UNLESS OTHERWISE INDICATED.
2. SEE PROPOSED LIGHTING PLAN FOR CONDUIT, CABLE AND ROUTING
3. THE CONTRACTOR SHALL PROVIDE INTERMEDIATE SUPPORTS TO MAINTAIN MINIMUM CLEARANCES. REFER TO AERIAL CABLE ATTACHED TO STRUCTURE DETAIL.
4. COST OF SPLICES AND MOUNTING HARDWARE SHALL BE INCLUDED IN THE UNIT PRICE FOR AERIAL CABLE.



AERIAL CABLE ATTACHED TO STRUCTURE
NOT TO SCALE



WOOD POLE TO LIGHTING CONTROLLER WIRING CONNECTION DETAIL
N.T.S.



WOOD POLE TO COMMUNICATIONS VAULT OR HANDHOLE WIRING CONNECTION DETAIL
N.T.S.

	ENGINEERING CONSULTANT	DESIGNED -	REVISED - 08-08-03	STATE OF ILLINOIS DEPARTMENT OF TRANSPORTATION	F.A.I. ROUTE 80 AT U.S. ROUTE 30 LIGHTING TEMPORARY AERIAL CABLE INSTALLATION	F.A.I. RTE.	SECTION	COUNTY	TOTAL SHEETS	SHEET NO.
	USER NAME = geglennob	DRAWN -	REVISED -			80	2011-046-L	WILL	106	59
	PLOT SCALE = 50,000 1/4 IN.	CHECKED -	REVISED -			CONTRACT NO. 60P56				
	PLOT DATE = 1/4/2008	DATE -	REVISED -			FED. ROAD DIST. NO. 1 ILLINOIS FED. AID PROJECT				
				SCALE: NONE	SHEET NO. 1 OF 1 SHEETS	STA.	TO STA.			