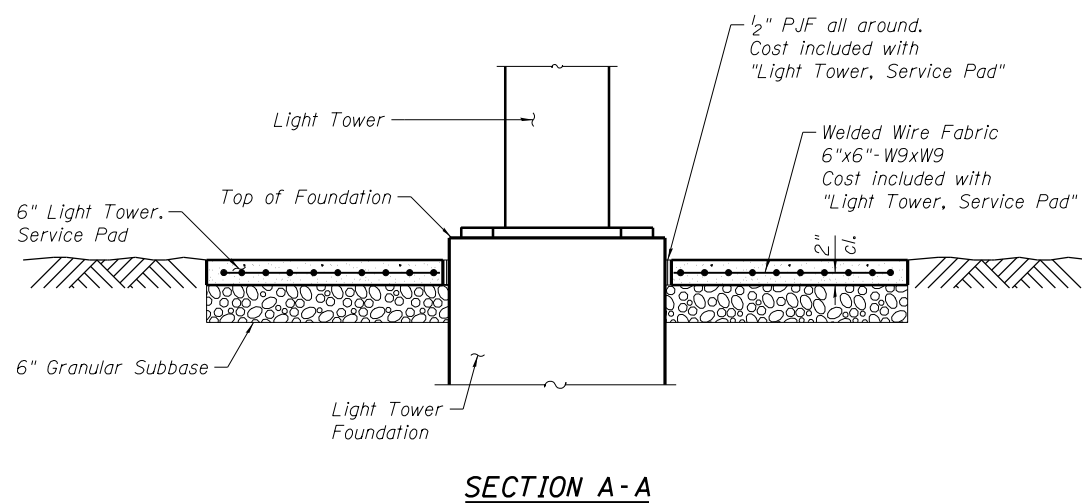


TYPE A - HEXAGON CONCRETE SERVICE PAD



SECTION A-A

NOTES:

1. For location of Light Tower Foundations, see Roadway Lighting Plan Sheets.
2. See Sheet S-1 through S-3 for High Mast Light Tower Foundation Details, and ground well locations.
3. The light tower and light tower foundation shall be paid for separately, all remaining work to construct the service pad as detailed including granular subbase, service pad, and reinforcement shall be paid for at the contract unit price per each for "Light Tower, Service Pad."

N:\PROJ\0003384\00\6_High_Mast\Design\Structural\CAD\0003384\06_04_High_Mast_Foundation_Service_Pad & Well_Details_Type_A.dgn



USER NAME = rdenley	DESIGNED - SMY	REVISED -
	CHECKED - BWS	REVISED -
PLOT SCALE = 4x0.0000 "/>		

**STATE OF ILLINOIS
DEPARTMENT OF TRANSPORTATION**

**F.A.I. ROUTE 80 AT U.S. ROUTE 30 LIGHTING
LIGHT TOWER, SERVICE PAD, (TYPE A)**

SHEET NO. S-4 OF S-17 SHEETS

F.A.I. RTE.	SECTION	COUNTY	TOTAL SHEETS	SHEET NO.
80	2011-046-L	WILL	106	71
				CONTRACT NO. 60P56
ILLINOIS FED. AID PROJECT				