

RETAINING WALL SERVICE PAD SCHEDULE

(For information only)

| Tower ID IJ1 | | | | |
|----------------------------------|---------|-------|--------|-------|
| Bar | No. | Size | Length | Shape |
| h(E) | 16 | # 6 | 14'-6" | — |
| h1(E) | 4 | # 6 | 10'-7" | ↙ |
| h2(E) | 32 | # 6 | 9'-3" | ↙ |
| h3(E) | 32 | # 6 | 10'-4" | — |
| v1(E) | 30 | # 6 | 6'-2" | — |
| v2(E) | 20 | # 6 | 6'-8" | — |
| v3(E) | 12 | # 6 | 11'-1" | — |
| Concrete Structures | Cu. Yd. | 8.9 | | |
| Reinforcement Bars, Epoxy Coated | Pound | 2,040 | | |
| Stud Shear Connectors | Each | 48 | | |
| Pipe Handrail | Foot | 23 | | |
| Geocomposite Wall Drain | Sq. Yd. | 9 | | |

| Tower ID KL1 | | | | |
|----------------------------------|---------|-------|--------|-------|
| Bar | No. | Size | Length | Shape |
| h(E) | 20 | # 6 | 14'-6" | — |
| h2(E) | 40 | # 6 | 9'-3" | ↙ |
| h3(E) | 40 | # 6 | 10'-4" | — |
| h4(E) | 4 | # 6 | 10'-7" | ↙ |
| v4(E) | 30 | # 6 | 8'-8" | — |
| v5(E) | 20 | # 6 | 9'-2" | — |
| v6(E) | 12 | # 6 | 15'-6" | — |
| Concrete Structures | Cu. Yd. | 12.1 | | |
| Reinforcement Bars, Epoxy Coated | Pound | 2,630 | | |
| Stud Shear Connectors | Each | 70 | | |
| Pipe Handrail | Foot | 23 | | |
| Geocomposite Wall Drain | Sq. Yd. | 13 | | |

| Tower ID MN2 | | | | |
|----------------------------------|---------|-------|--------|-------|
| Bar | No. | Size | Length | Shape |
| h(E) | 18 | # 6 | 14'-6" | — |
| h2(E) | 36 | # 6 | 9'-3" | ↙ |
| h3(E) | 36 | # 6 | 10'-4" | — |
| h4(E) | 4 | # 6 | 10'-7" | ↙ |
| v7(E) | 30 | # 6 | 7'-2" | — |
| v8(E) | 20 | # 6 | 7'-8" | — |
| v9(E) | 12 | # 6 | 12'-6" | — |
| Concrete Structures | Cu. Yd. | 10.7 | | |
| Reinforcement Bars, Epoxy Coated | Pound | 2,300 | | |
| Stud Shear Connectors | Each | 62 | | |
| Pipe Handrail | Foot | 23 | | |
| Geocomposite Wall Drain | Sq. Yd. | 12 | | |

| Tower ID KL2 | | | | |
|----------------------------------|---------|-------|---------|-------|
| Bar | No. | Size | Length | Shape |
| h(E) | 18 | # 6 | 14'-6" | — |
| h2(E) | 36 | # 6 | 9'-3" | ↙ |
| h3(E) | 36 | # 6 | 10'-4" | — |
| h5(E) | 4 | # 6 | 10'-7" | ↙ |
| v7(E) | 30 | # 6 | 7'-2" | — |
| v8(E) | 20 | # 6 | 7'-8" | — |
| v12(E) | 12 | # 6 | 12'-10" | — |
| Concrete Structures | Cu. Yd. | 10.1 | | |
| Reinforcement Bars, Epoxy Coated | Pound | 2,300 | | |
| Stud Shear Connectors | Each | 56 | | |
| Pipe Handrail | Foot | 23 | | |
| Geocomposite Wall Drain | Sq. Yd. | 11 | | |

| Tower ID KL3 | | | | |
|----------------------------------|---------|-------|--------|-------|
| Bar | No. | Size | Length | Shape |
| h(E) | 14 | # 6 | 14'-6" | — |
| h2(E) | 28 | # 6 | 9'-3" | ↙ |
| h3(E) | 28 | # 6 | 10'-4" | — |
| h6(E) | 4 | # 6 | 10'-7" | ↙ |
| v13(E) | 30 | # 6 | 5'-8" | — |
| v14(E) | 20 | # 6 | 6'-2" | — |
| v15(E) | 12 | # 6 | 10'-5" | — |
| Concrete Structures | Cu. Yd. | 8.3 | | |
| Reinforcement Bars, Epoxy Coated | Pound | 1,830 | | |
| Stud Shear Connectors | Each | 46 | | |
| Pipe Handrail | Foot | 23 | | |
| Geocomposite Wall Drain | Sq. Yd. | 8 | | |

RETAINING WALL BILL OF MATERIAL

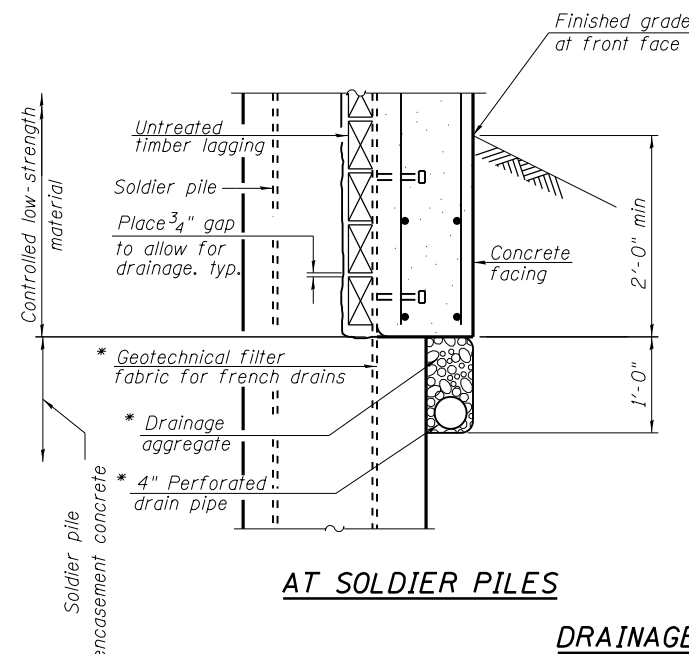
| Tower ID IJ1 | | |
|--|---------|-------|
| | Unit | Total |
| Furnishing Soldier Piles (HP Section) | Foot | 131 |
| Drilling and Setting Soldier Piles (In Soil) | Cu. Ft. | 373 |
| Untreated Timber Lagging | Sq. Ft. | 153 |

| Tower ID KL1 | | |
|--|---------|-------|
| | Unit | Total |
| Furnishing Soldier Piles (HP Section) | Foot | 179 |
| Drilling and Setting Soldier Piles (In Soil) | Cu. Ft. | 431 |
| Untreated Timber Lagging | Sq. Ft. | 224 |

| Tower ID MN2 | | |
|--|---------|-------|
| | Unit | Total |
| Furnishing Soldier Piles (HP Section) | Foot | 148 |
| Drilling and Setting Soldier Piles (In Soil) | Cu. Ft. | 388 |
| Untreated Timber Lagging | Sq. Ft. | 195 |

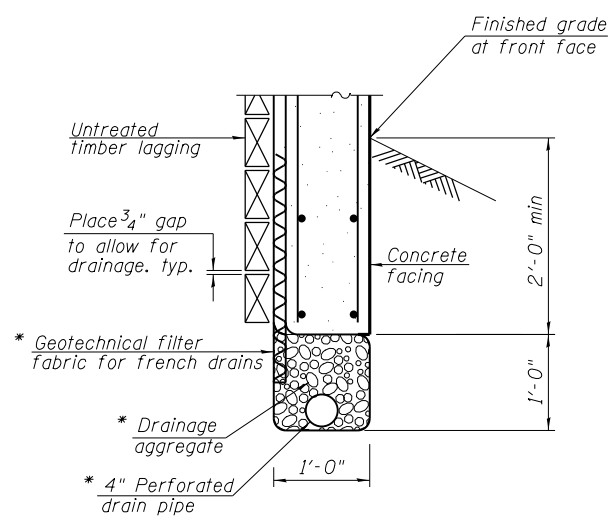
| Tower ID KL2 | | |
|--|---------|-------|
| | Unit | Total |
| Furnishing Soldier Piles (HP Section) | Foot | 141 |
| Drilling and Setting Soldier Piles (In Soil) | Cu. Ft. | 346 |
| Untreated Timber Lagging | Sq. Ft. | 181 |

| Tower ID KL3 | | |
|--|---------|-------|
| | Unit | Total |
| Furnishing Soldier Piles (HP Section) | Foot | 102 |
| Drilling and Setting Soldier Piles (In Soil) | Cu. Ft. | 278 |
| Untreated Timber Lagging | Sq. Ft. | 139 |

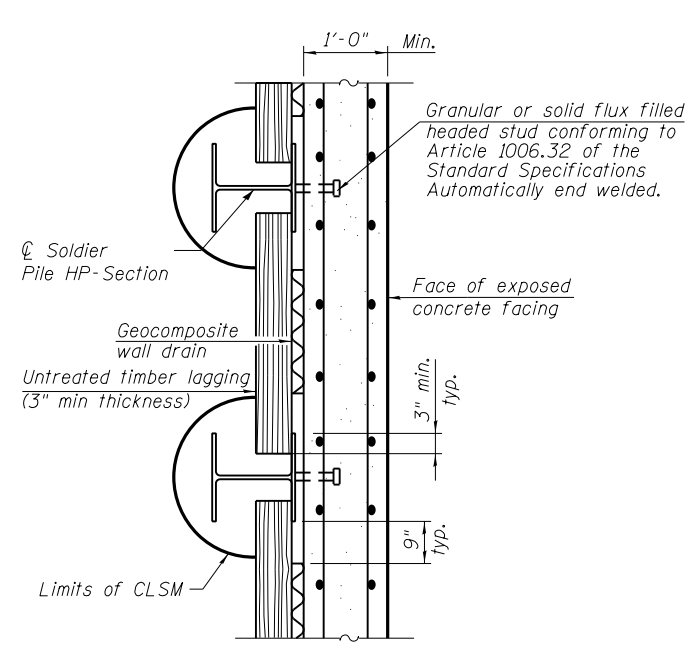


AT SOLDIER PILES

DRAINAGE DETAIL



BETWEEN SOLDIER PILES



SECTION C-C

NOTES:

- The light tower and light tower foundation shall be paid for separately. All remaining work including service pad and items shown in the service pad schedule shall be paid for at the contract unit price per each for "Light Tower Service Pad, Special".
- Items shown in the retaining wall bill of material shall be paid for separately according to the special provision "Drilled Soldier Pile Retaining Wall".

* Included in the cost of Pipe Underdrains, 4". See Grading Plans.

N:\PROJECTS\03384\000\6_High_West_Design\Structural\CAD\0003384\06 Soldier_Pile_Wall_Detail.dgn



| | | |
|----------------------------|----------------|-----------|
| USER NAME = rdonley | DESIGNED - MHT | REVISED - |
| PLOT SCALE = 0.1667' / in. | CHECKED - BWS | REVISED - |
| PLOT DATE = 2/13/2012 | DRAWN - RD | REVISED - |
| | CHECKED - BWS | REVISED - |

**STATE OF ILLINOIS
DEPARTMENT OF TRANSPORTATION**

**F.A.I. ROUTE 80 AT U.S. ROUTE 30 LIGHTING
LIGHT TOWER, SERVICE PAD, SPECIAL (TYPE B)**

SHEET NO. S-6 OF S-17 SHEETS

| F.A.I. RTE. | SECTION | COUNTY | TOTAL SHEETS | SHEET NO. |
|---------------------------|------------|--------|--------------|-----------|
| 80 | 2011-046-L | WILL | 106 | 73 |
| CONTRACT NO. 60P56 | | | | |
| ILLINOIS FED. AID PROJECT | | | | |