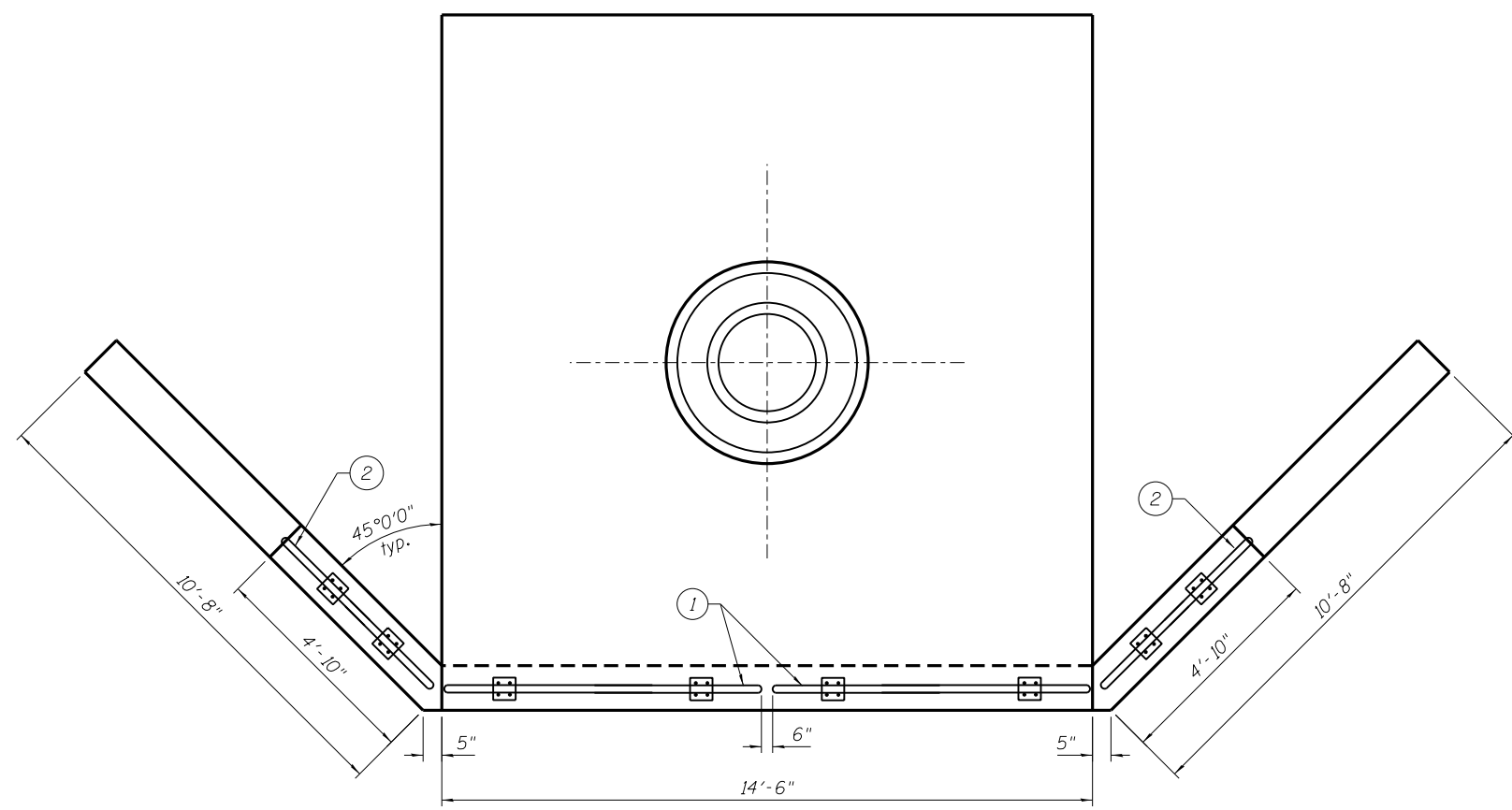
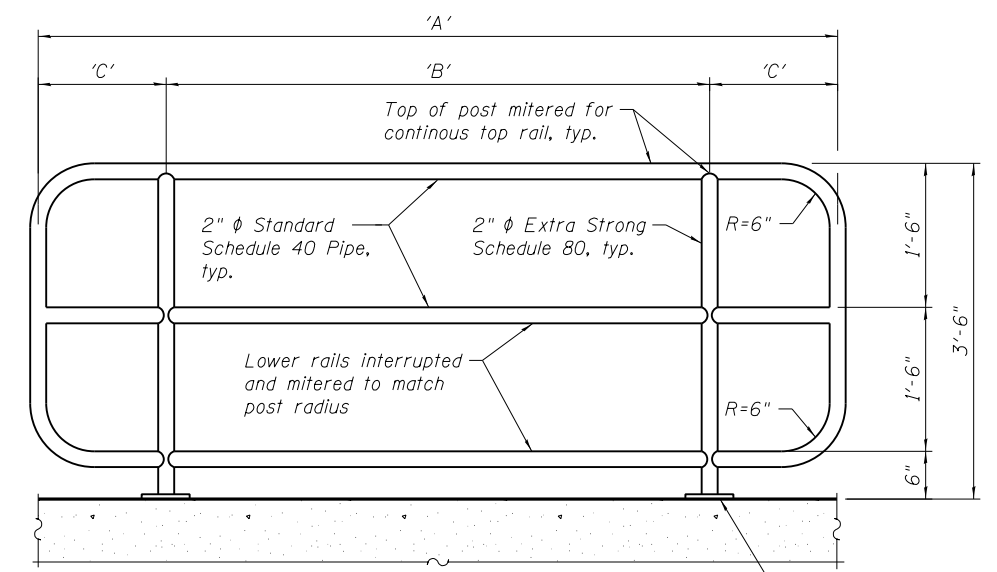


N:\PROJECTS\0003384\006_High_Mast_Design\Structural\CAD\0003384_06_09_Handrail_Plan.dgn



HANDRAIL PLAN



HANDRAIL ELEVATION

Connect Handrail to Service Pad with standard flange plates anchored by four 5/8" φ Anchor Bolts, typ. per Section 509 of the Standard Specifications

HANDRAIL DIMENSIONS

Designation	'A'	'B'	'C'
①	7'-0"	5'-0"	1'-0"
②	4'-6"	2'-6"	1'-0"

NOTES:

1. For location of Light Tower Foundations, see Roadway Lighting Plan sheets.
2. See Sheets S-1 thru S-3 for High Mast Light Tower Foundation Details.
3. All Rail Post joints shall be welded & ground smooth prior to galvanizing.
4. Rail shall be fabricated in jig, true and straight to line.
5. Handrail shall be galvanized after fabrication is complete.
6. Handrail Posts shall be installed plumb and in-line.
7. Pipe Handrail shall be designed according to section 509 of Standard Specifications and Section 2.7.3 - "Pedestrian Railing" of the AASHTO Standard Specifications for Highway Bridges except pipe shall be hot dipped galvanized.
8. Contractor shall submit catalog cuts for approval prior to ordering material.



USER NAME = rdenley	DESIGNED - SMY	REVISED -
	CHECKED - BWS	REVISED -
PLOT SCALE = 4x0.0000 '1" / 1"	DRAWN - SMY	REVISED -
PLOT DATE = 2/13/2012	CHECKED - BWS	REVISED -

**STATE OF ILLINOIS
DEPARTMENT OF TRANSPORTATION**

**F.A.I. ROUTE 80 AT U.S. ROUTE 30 LIGHTING
LIGHT TOWER, SERVICE PAD, HANDRAIL DETAILS**

SHEET NO. S-9 OF S-17 SHEETS

F.A.I. RTE.	SECTION	COUNTY	TOTAL SHEETS	SHEET NO.
80	2011-046-L	WILL	106	76
CONTRACT NO. 60P56				

ILLINOIS FED. AID PROJECT