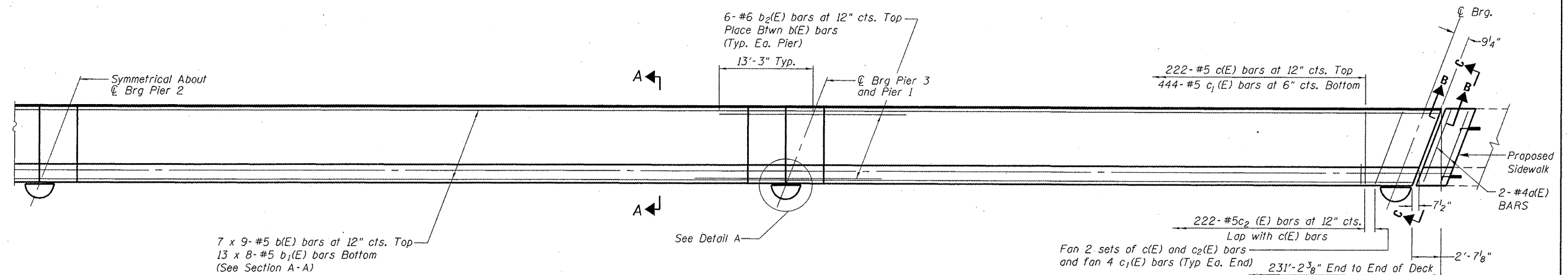


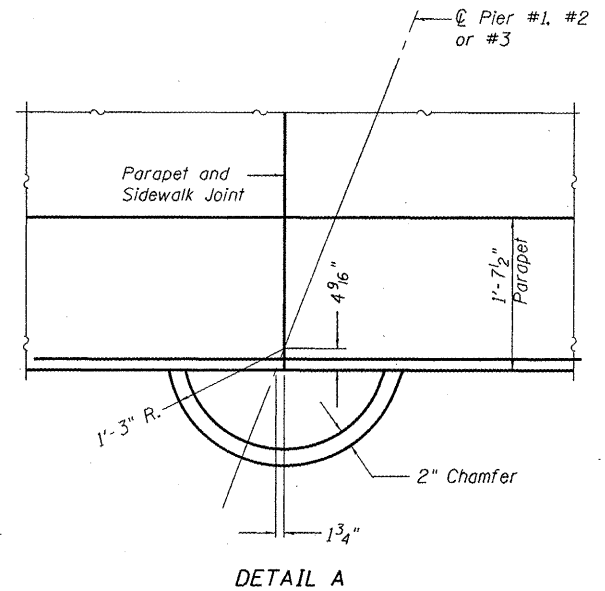
INSIDE ELEVATION OF PARAPETS



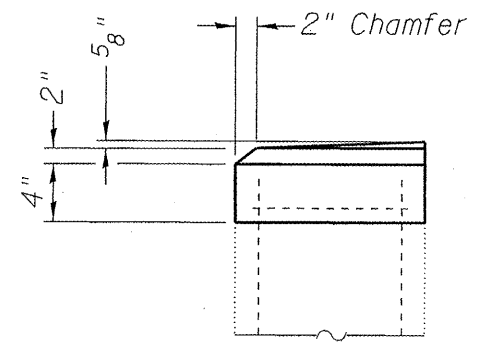
PARTIAL PLAN (SOUTH SIDEWALK)

For parapet reinforcement and joint locations, see Inside Elevation of Parapets.

NOTE:
For Section A-A, See Sheet 6A of 18
For Section B-B, and C-C, See Sheet 6 of 18



DETAIL A



TOP OF DECORATIVE COLUMNS AT PIERS AND ABUTMENTS

Quantity included with Concrete Superstructures

BAR LAP TABLE	
SIZE	LENGTH
#4	1' - 8"
#5	2' - 7"