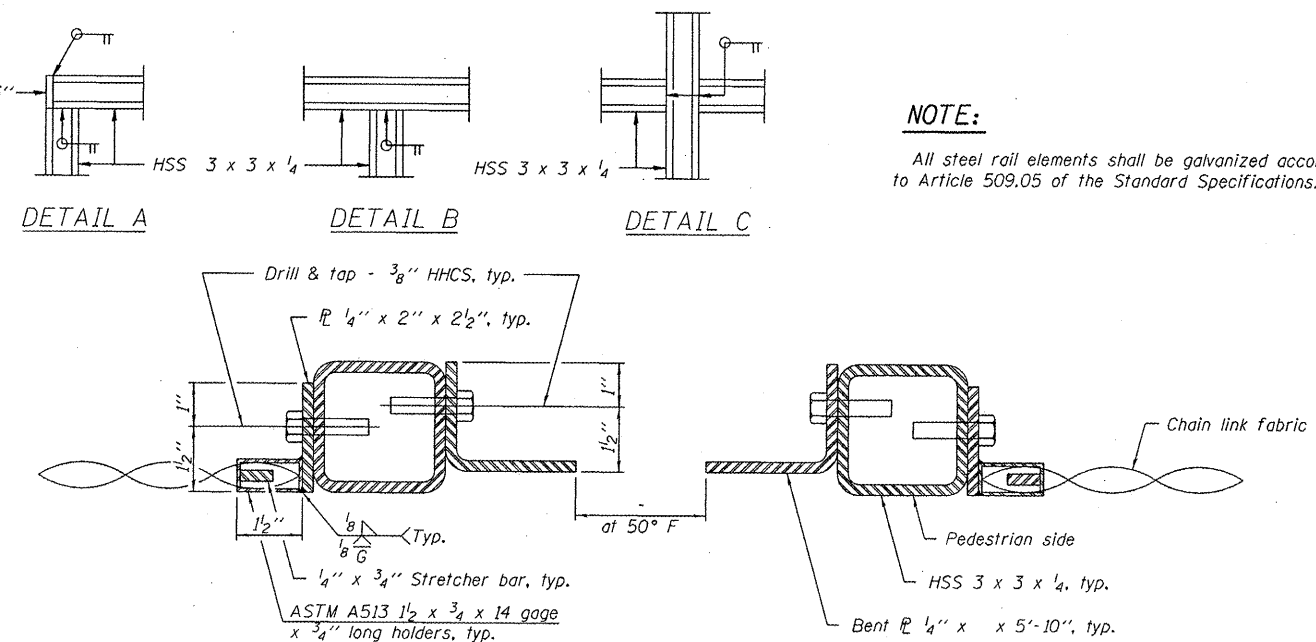
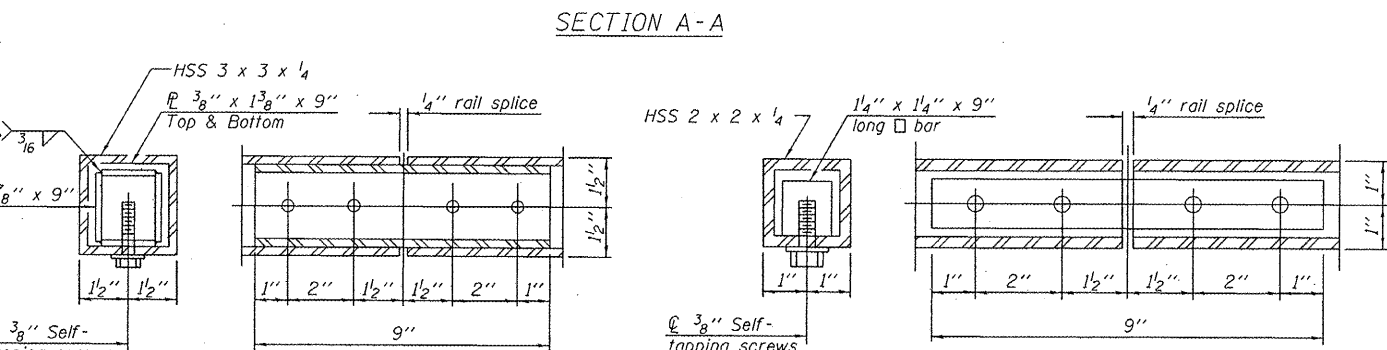


ELEVATION
(Inside Face)

ELEVATION
(At Expansion Joint)

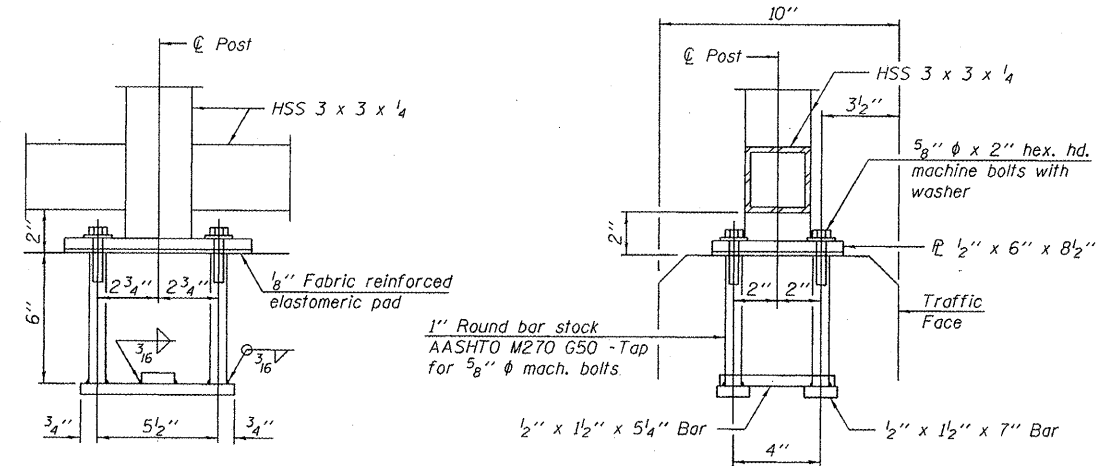


NOTE:
All steel rail elements shall be galvanized according to Article 509.05 of the Standard Specifications.



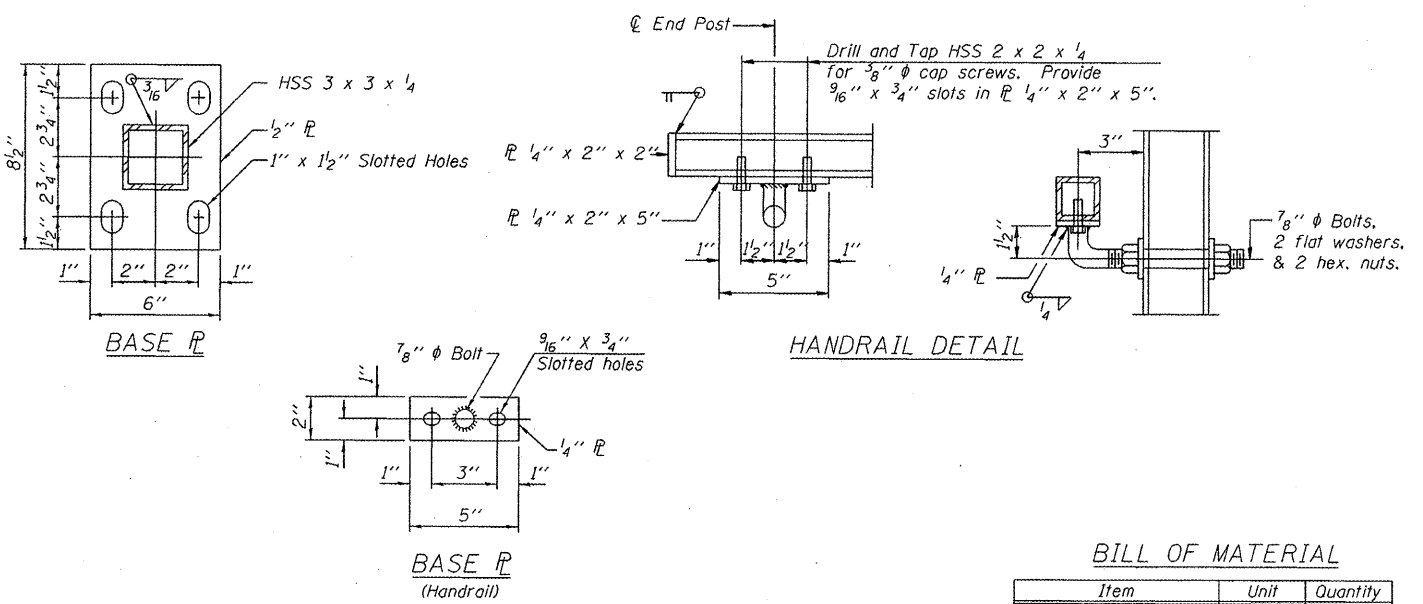
RAIL SPLICE

HANDRAIL SPLICE



ANCHOR BOLT DETAILS

In lieu of the cast-in-place anchor device shown, the Contractor has the option of drilling and setting 5/8" anchor rods according to Article 509.06 of the Standard Specifications. Embedment shall be according to the manufacturer's specifications.



BASE R

BASE R
(Handrail)

BILL OF MATERIAL

Item	Unit	Quantity
Bridge Fence Railing	Foot	472

R-28 7-1-10 (10'-0" Maximum Post Spacing)

FILE NAME =	USER NAME = curryw	DESIGNED - MVT	REVISED -
c:\pwork\pvidot\curryw\d0288452\0162211-Design.dgn		DRAWN - MVT	REVISED -
PLOT SCALE = 100.4408 1/16 in.		CHECKED - AWC	REVISED -
PLOT DATE = 3/23/2012		DATE - 2-29-12	REVISED -

STATE OF ILLINOIS
DEPARTMENT OF TRANSPORTATION

DEVON AVENUE AT ILL 94 (EDENS EXPRESSWAY)
BRIDGE FENCE RAILING, PARAPET MOUNTED
S.N. 016-0834

F.A.I. RTE. 94	SECTION 2011-066-1	COUNTY COOK	TOTAL SHEETS 18	SHEET NO. 7
SCALE: SHEET 4 OF 9 SHEETS STA. TO STA.			CONTRACT NO. 60P85	
ILLINOIS FED. AID PROJECT				