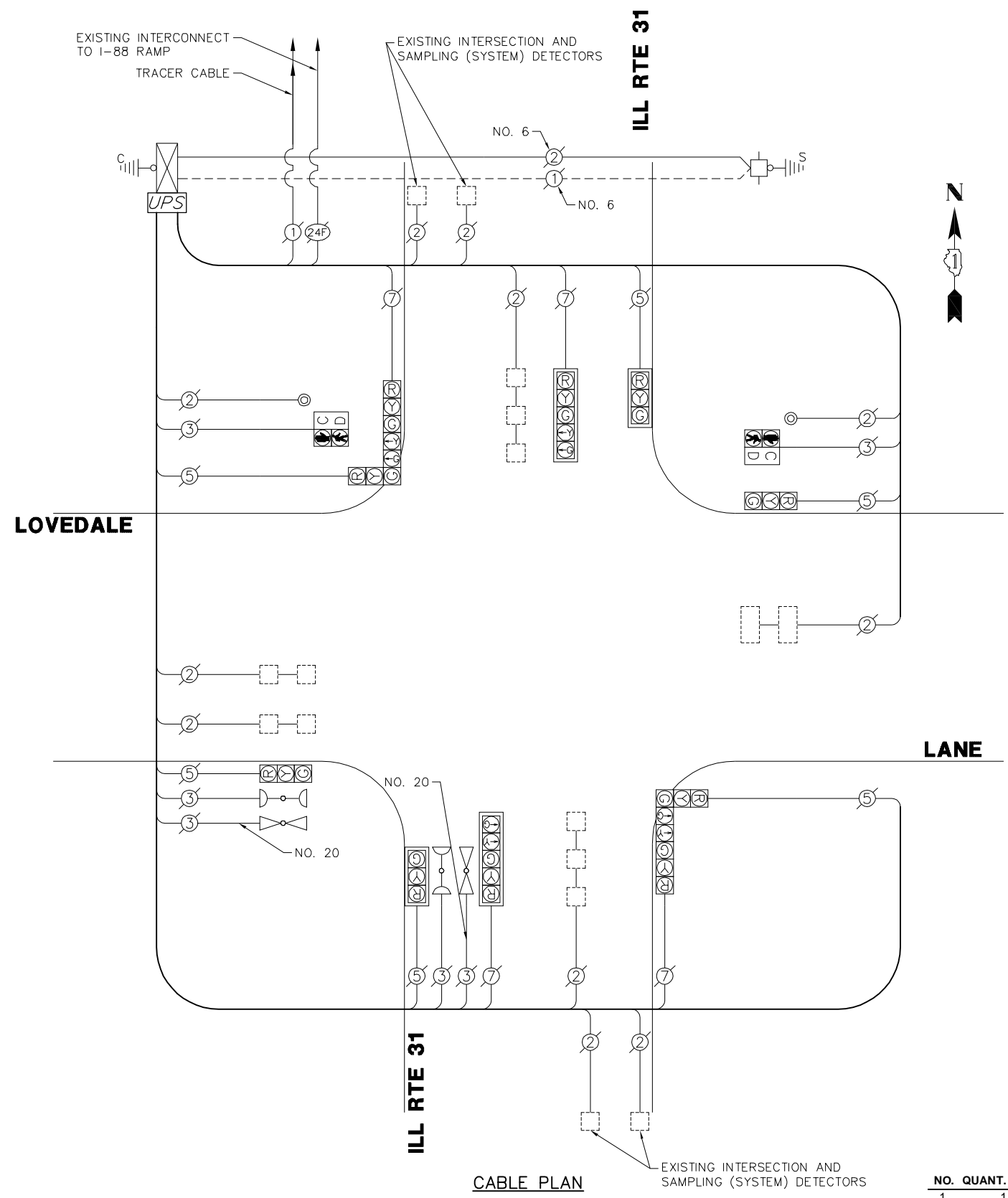


EXISTING EMERGENCY VEHICLE PREEMPTORS		
EMERGENCY VEHICLE PREEMPTOR	3	4
MOVEMENT	↑	→

I.D.O.T. TRAFFIC SIGNAL INSTALLATION ELECTRICAL SERVICE REQUIREMENTS					TOTAL WATTAGE
TYPE	NO. LAMPS	WATTAGE		% OPERATION	
		INCAND.	L.E.D.		
SIGNAL (RED)	10	135	17	0.50	85.0
SIGNAL (YELLOW)	10	135	25	0.25	62.5
SIGNAL (GREEN)	10	135	15	0.25	37.5
ARROW	8	135	12	0.10	9.6
PED. SIGNAL	-	90	25	1.00	-
CONTROLLER	1	-	100	1.00	100.0
LUMINAIRE	-	-	250	0.50	-
L.E.D. ST. NAME SIGN	-	-	64	0.50	-
VIDEO SYSTEM	-	-	150	1.00	-
BATTERY BACKUP	1	-	25	1.00	25.0
ILLUMINATED SIGN	-	-	25	0.05	-
TOTAL =					319.6

ENERGY COSTS - BILLED TO: VILLAGE OF NORTH AURORA  
 (ADDRESS) 25 E. STATE STREET  
 (ADDRESS) NORTH AURORA, IL 60542

ENERGY SUPPLY - CONTACT: \_\_\_\_\_  
 PHONE: \_\_\_\_\_  
 COMPANY: \_\_\_\_\_



**SCHEDULE OF QUANTITIES**  
ILL RTE 31 AT LOVEDALE LANE

NO.	QUANT.	UNIT	DESCRIPTION
1.	1	EACH	MAINTENANCE OF EXISTING TRAFFIC SIGNAL INSTALLATION
2.	1	EACH	MODIFY EXISTING CONTROLLER CABINET
3.	1	EACH	UNINTERRUPTABLE POWER SUPPLY, SPECIAL

FILE NAME = 4085.881-TR1.dwg	USER NAME = ZACH WALLSTEN	DESIGNED - JRD	REVISED -
	PLOT SCALE = 1" = .0833'	DRAWN - ZCW	REVISED -
	PLOT DATE = 2/3/2012	CHECKED - KLB	REVISED -
		DATE - 2/3/2012	REVISED -

**STATE OF ILLINOIS**  
**DEPARTMENT OF TRANSPORTATION**

**SCHEDULE OF QUANTITIES, CABLE PLAN, PHASE DESIGNATION DIAGRAM, & EMERGENCY VEHICLE PREEMPTION SEQUENCE**  
**ILL RTE 31 AT LOVEDALE LANE**

SCALE: N.A. SHEET NO. OF SHEETS STA. TO STA.

F.A.P. RTE.	SECTION	COUNTY	TOTAL SHEETS	SHEET NO.
VARIES	2011-221-I	KANE	43	31
CONTRACT #:			60R81	
ILINOIS FED. AID PROJECT				

GHA #4085.881