

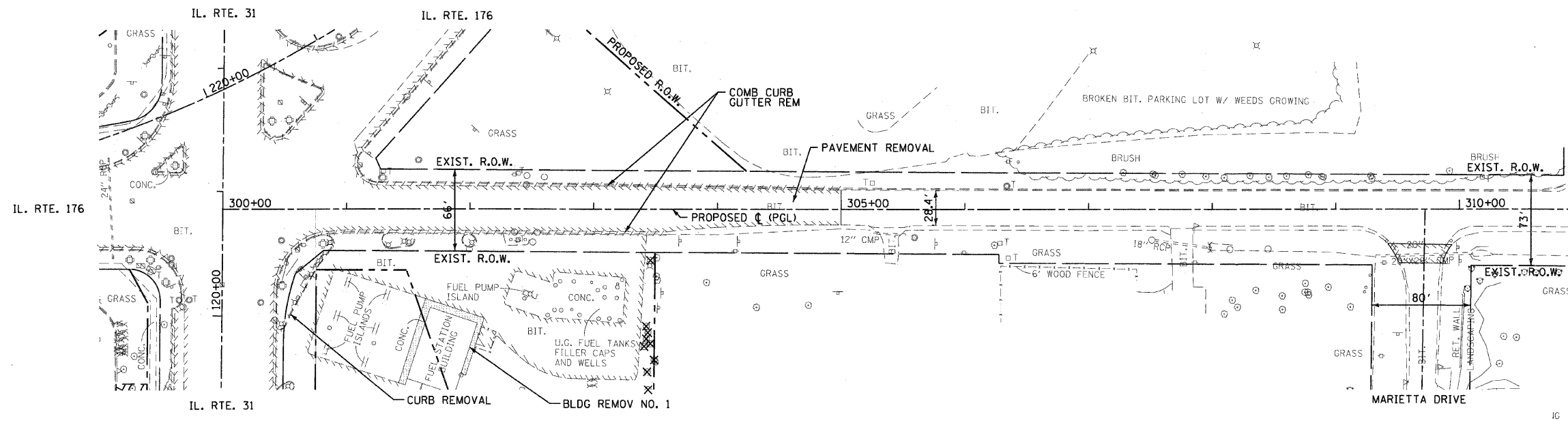
| F.A.P. RTE. | SECTION | COUNTY | TOTAL SHEETS | SHEET NO. |
|---|---------|---------|--------------|-----------|
| 336 | 112R-N | MCHENRY | 266 | 34 |
| STA. 300+00 TO STA. 311+00 | | | | |
| FED. ROAD DIST. NO. ILLINOIS FED. AID PROJECT | | | | |
| CONTRACT NO. 62537 | | | | |

| DATE | BY | REVISION |
|------|----|----------|
| | | |
| | | |

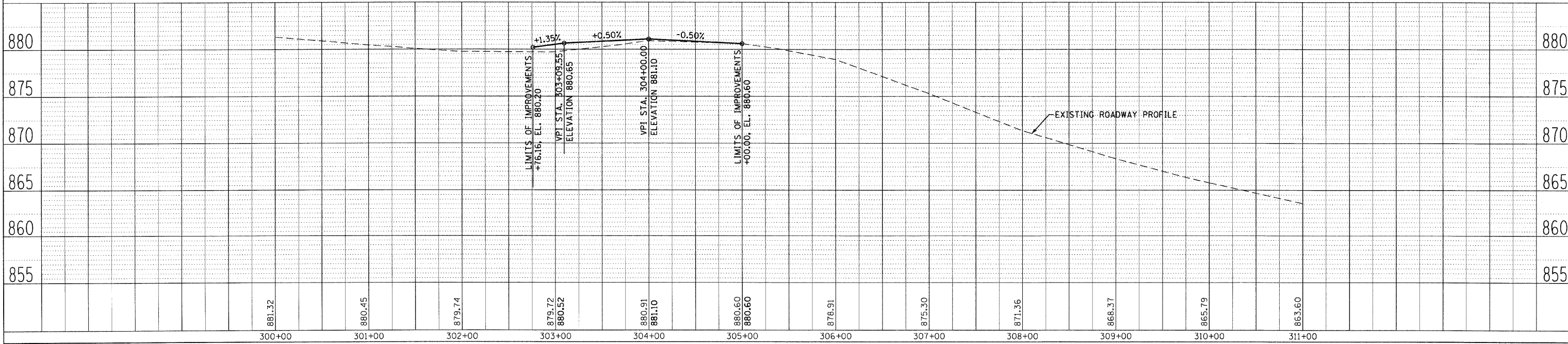
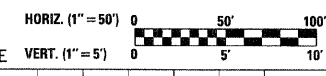
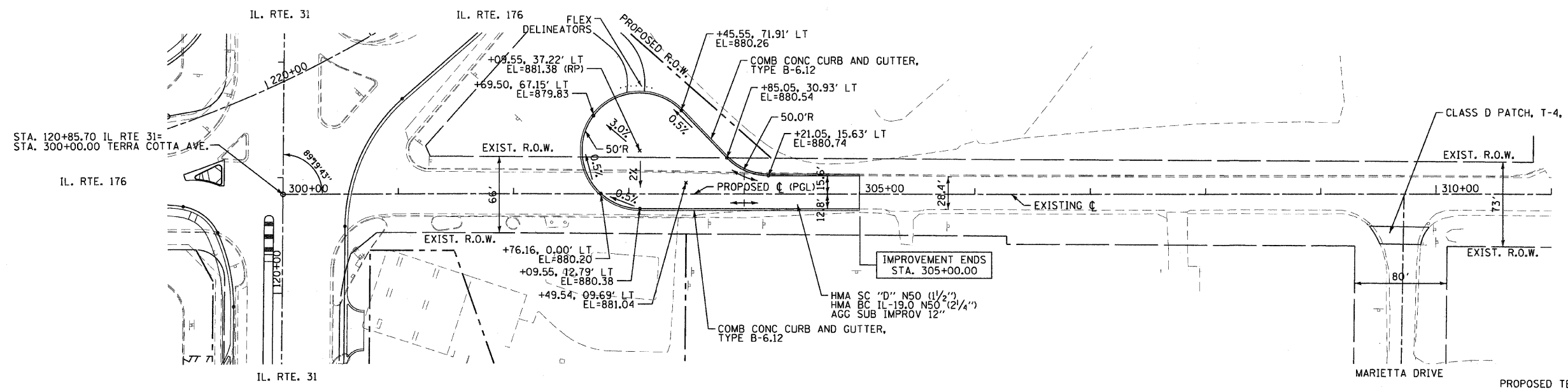
| PLAN | NO. | DESCRIPTION |
|------|-----|-------------|
| | | |
| | | |

| DATE | BY | REVISION |
|------|----|----------|
| | | |
| | | |

| PROFILE | NO. | DESCRIPTION |
|---------|-----|-------------|
| | | |
| | | |



- LEGEND**
- PAVEMENT REMOVAL OR DRIVEWAY PAVEMENT REMOVAL OR BIT. SURFACE REMOVAL
 - COMBINATION CURB AND GUTTER REMOVAL OR CURB REMOVAL (AS NOTED)
 - SIDEWALK REMOVAL
 - DETECTABLE WARNINGS ON CURB RAMPS



PLAN AND PROFILE TERRA COTTA AVENUE STA. 300+00 TO STA. 311+00