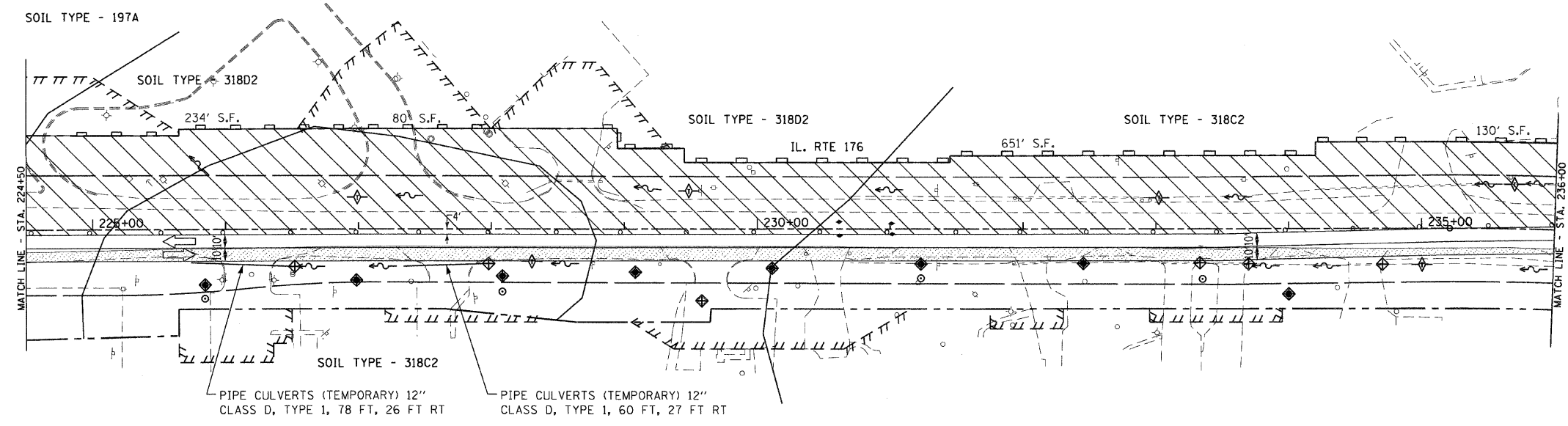
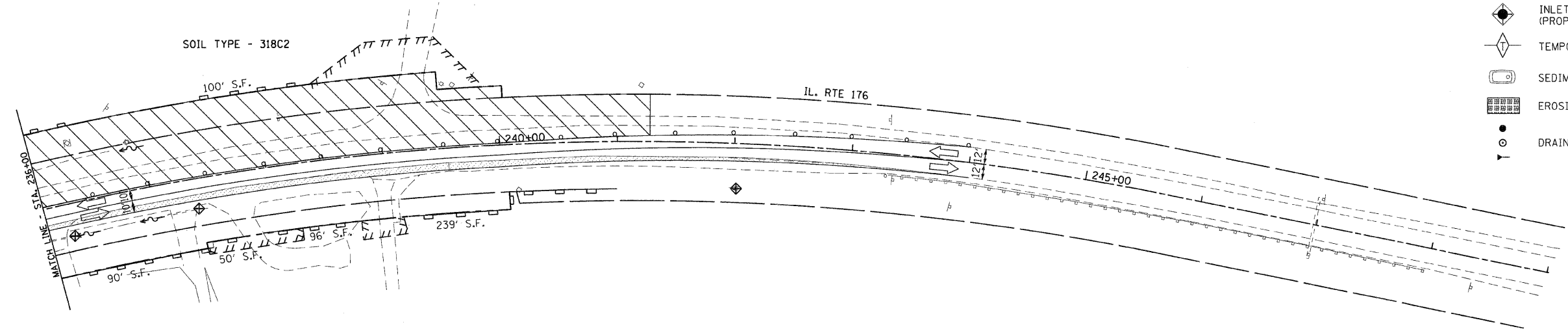


F.A.P. RTE.	SECTION	COUNTY	TOTAL SHEETS	SHEET NO.
336	112R-N	McHENRY	266	69
STA. 224+50 TO STA. 245+00				
FED. ROAD DIST. NO.		ILLINOIS	FED. AID PROJECT	
CONTRACT NO. 62537				



STORMWATER POLLUTION PREVENTION LEGEND

- SEDIMENT CONTROL, SILT FENCE (S.F.)
- CONSTRUCTION FENCE
- TEMPORARY EROSION CONTROL SEEDING
- INLET AND PIPE PROTECTION
- INLET FILTERS (EXISTING DRAINAGE STRUCTURES)
- INLET FILTERS (PROPOSED DRAINAGE STRUCTURES)
- TEMPORARY DITCH CHECK
- SEDIMENT BASIN
- EROSION CONTROL BLANKET
- DRAINAGE STRUCTURES



PLAN	REVISIONS	DATE
NO.	BY	
NO.	DATE	
NO.	DATE	
NO.	DATE	

PROFILE	REVISIONS	DATE
NO.	BY	
NO.	DATE	
NO.	DATE	
NO.	DATE	

REVISIONS	
NAME	DATE

ILLINOIS DEPARTMENT OF TRANSPORTATION
 F.A.P. ROUTE 336
 IL RTE 31 AND IL RTE 176

EROSION AND
 SEDIMENT CONTROL PLAN
 STAGE 1

0 50' 100'
 1" = 50'

DATE: 02/10/2012
 DRAWN BY: SMP
 CHECKED BY: SJG