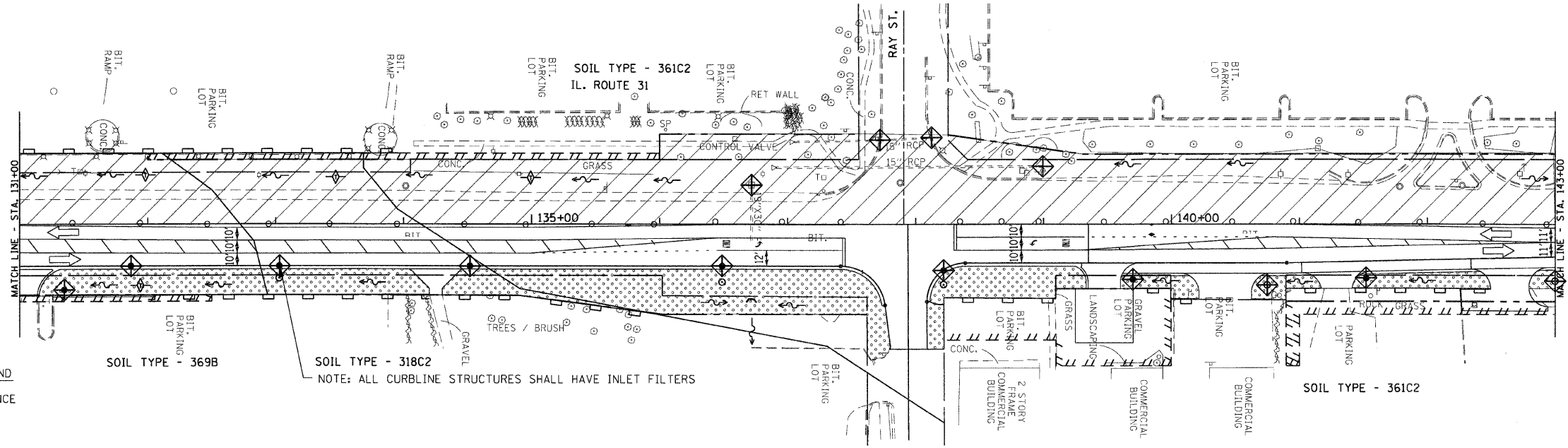
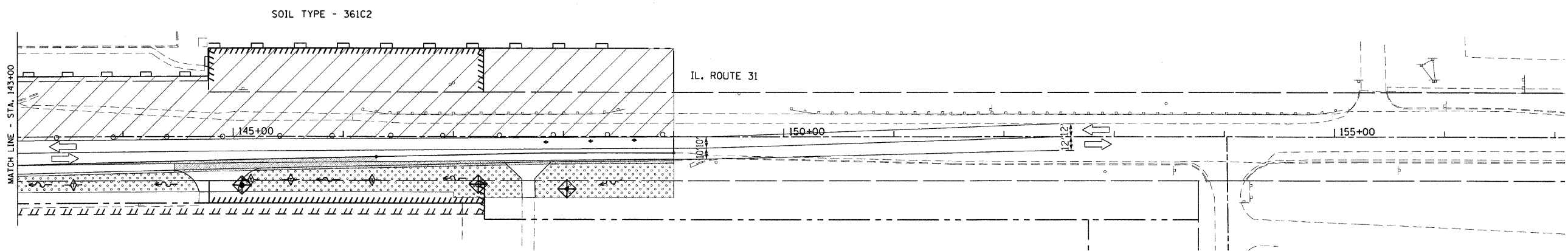


F.A.P. RTE.	SECTION	COUNTY	TOTAL SHEETS	SHEET NO.
336	112R-N	MCHENRY	266	73
STA. 131+00		TO STA. 157+00		
FED. ROAD DIST. NO.	ILLINOIS	FED. AID PROJECT		
CONTRACT NO. 62537				



STORMWATER POLLUTION PREVENTION LEGEND

- SEDIMENT CONTROL, SILT FENCE (S.F.)
- CONSTRUCTION FENCE
- TEMPORARY EROSION CONTROL SEEDING
- INLET AND PIPE PROTECTION
- INLET FILTERS (EXISTING DRAINAGE STRUCTURES)
- INLET FILTERS (PROPOSED DRAINAGE STRUCTURES)
- TEMPORARY DITCH CHECK
- SEDIMENT BASIN
- EROSION CONTROL BLANKET
- DRAINAGE STRUCTURES

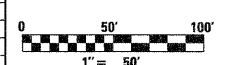


PLAN	SURVEYED	DATE
NOTE BOOK	ALIGNMENT CHECKED	
NO.	RT. OF WAY CHECKED	
	ADD. FILE NAME	

PROFILE	SURVEYED	DATE
NOTE BOOK	GRADES CHECKED	
NO.	STRUCTURE NOTATIONS CHECKED	

REVISIONS	
NAME	DATE

ILLINOIS DEPARTMENT OF TRANSPORTATION
 F.A.P. ROUTE 336
 IL RTE 31 AND IL RTE 176
 EROSION AND SEDIMENT CONTROL PLAN
 STAGE 2



DATE: 02/10/2012
 DRAWN BY: SMP
 CHECKED BY: SJG