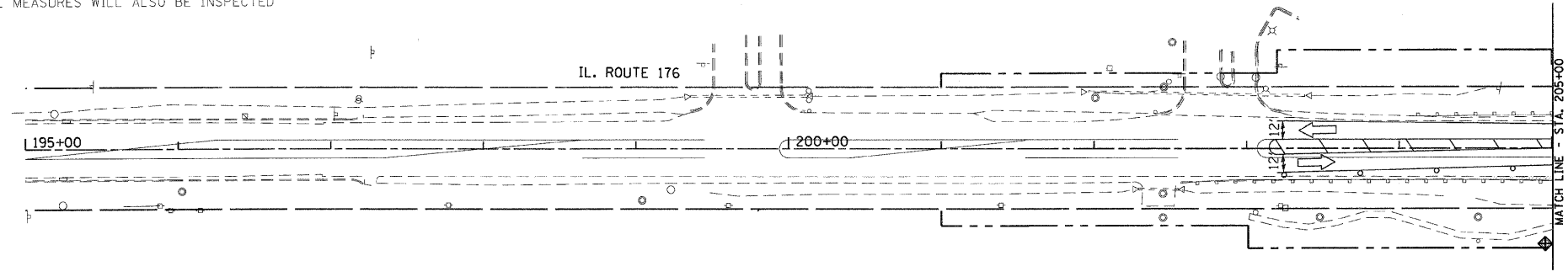


F.A.P. RTE.	SECTION	COUNTY	TOTAL SHEETS	SHEET NO.
336	112R-N	McHENRY	266	74
STA. 195+00		TO STA. 215+50		
FED. ROAD DIST. NO.		ILLINOIS FED. AID PROJECT		
CONTRACT NO. 62537				



TEMPORARY EROSION CONTROL NOTES

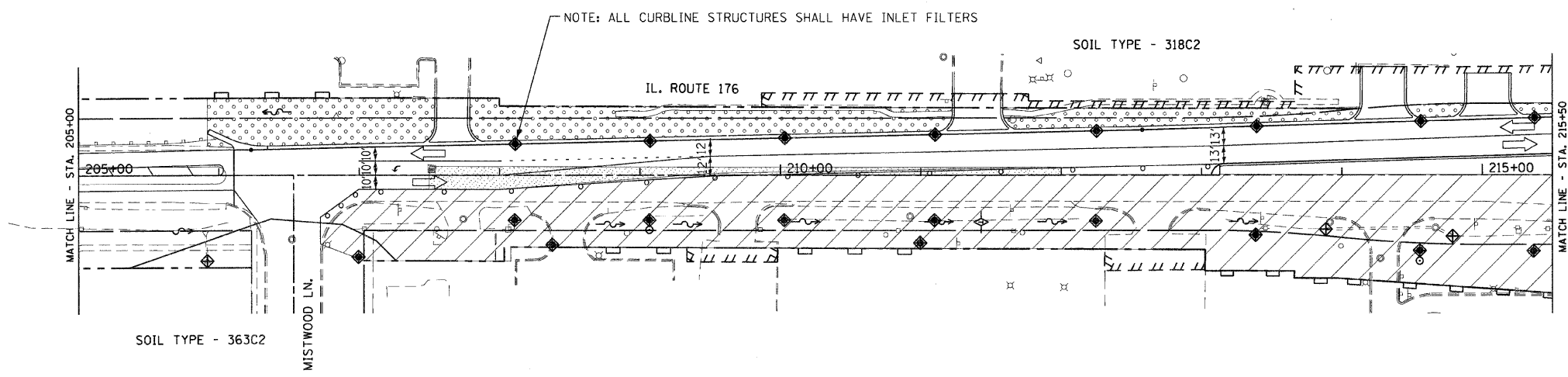
1. SEDIMENT AND EROSION CONTROL DEVICES SHALL BE FUNCTIONAL BEFORE LAND IS OTHERWISE DISTURBED ON THE SITE.
2. IF A STOCKPILE IS TO REMAIN IN PLACE FOR MORE THAN 3 DAYS, THEN SEDIMENT AND EROSION CONTROL DEVICES SHALL BE INSTALLED DURING CONSTRUCTION.
3. STORM SEWER INLETS SHALL BE PROTECTED WITH SEDIMENT TRAPPING OR FILTER CONTROL DEVICES DURING CONSTRUCTION.
4. THE QUANTITIES SHOWN FOR ALL EROSION CONTROL MEASURES INCLUDE THE INSTALLATION, MAINTENANCE, AND REMOVAL OF THE MEASURE.
5. THE CONTRACTOR SHALL MAINTAIN ALL EROSION CONTROL MEASURES IN SERVICEABLE CONDITION AT ALL TIMES. EROSION CONTROL MEASURES WILL BE INSPECTED ON A WEEKLY BASIS AND WITHIN 24 HOURS OF ANY STORM EXCEEDING 0.5 INCHES OF PRECIPITATION. DURING THE WINTER MONTHS, EROSION CONTROL MEASURES WILL ALSO BE INSPECTED AFTER SIGNIFICANT SNOW MELT EVENTS.
6. ALL CONSTRUCTION ACTIVITIES SHALL BE IN ACCORDANCE WITH THE NATIONAL POLLUTANT DISCHARGE ELIMINATION SYSTEM STORM WATER PERMIT FOR THIS PROJECT.
7. AS WORK PROGRESSES, ALL SLOPES 3:1 OR GREATER SHALL RECEIVE TEMPORARY EROSION CONTROL SEEDING AND EROSION CONTROL BLANKET IMMEDIATELY. ALL FLATTER AREAS THAT DO NOT HAVE A COVER OF VEGETATION, AND WHERE NO FURTHER WORK IS TO OCCUR FOR 14 DAYS OR MORE, SHALL BE TEMPORARILY SEEDED WITHIN SEVEN (7) CALENDAR DAYS UNLESS OTHERWISE DIRECTED BY THE ENGINEER. A SUFFICIENT QUANTITY OF TEMPORARY EROSION CONTROL SEEDING IS INCLUDED TO COVER THE LIMITS OF PERMANENT LANDSCAPING.
8. TEMPORARY DITCH CHECKS SHALL BE PLACED IMMEDIATELY AFTER DITCH GRADING (OR CLEANING AND REGRADING) IS COMPLETED.
9. ALL PROPOSED OPEN LID DRAINAGE STRUCTURES SHALL BE PROTECTED AS DIRECTED BY THE ENGINEER WITH INLET FILTERS, AND THIS WORK SHALL BE PAID FOR AT THE CONTRACT UNIT PRICE EACH FOR "INLET FILTERS". ALL OPEN END CULVERTS SHALL BE PROTECTED AS DIRECTED BY THE ENGINEER, WHICH WORK SHALL BE PAID FOR AT THE CONTRACT UNIT PRICE EACH FOR "INLET AND PIPE PROTECTION". "INLET AND PIPE PROTECTION" SHALL BE COMPRISED OF DITCH CHECKS, TEMPORARY SEEDING AND TEMPORARY EROSION CONTROL BLANKET. STRAW BALES AND SILT FENCE SHALL NOT BE USED AS INLET AND PIPE PROTECTION.
10. WATER PUMPED OR OTHERWISE DISCHARGED FROM THE SITE DURING CONSTRUCTION DEWATERING SHALL BE FILTERED.
11. ANY SOIL, MUD OR DEBRIS WASHED, TRACKED, OR DEPOSITED ONTO THE STREET SHALL BE REMOVED PRIOR TO THE END OF THE WORK DAY.



STORMWATER POLLUTION PREVENTION LEGEND

- SEDIMENT CONTROL, SILT FENCE (S.F.)
- CONSTRUCTION FENCE
- TEMPORARY EROSION CONTROL SEEDING
- INLET AND PIPE PROTECTION
- INLET FILTERS (EXISTING DRAINAGE STRUCTURES)
- INLET FILTERS (PROPOSED DRAINAGE STRUCTURES)
- TEMPORARY DITCH CHECK
- SEDIMENT BASIN
- EROSION CONTROL BLANKET
- DRAINAGE STRUCTURES

12. SILT FENCE IS NOT REQUIRED WHERE THE PERIMETER IS HIGHER THAN THE WORK ZONE, AND SILT FENCE SHALL NOT BE INSTALLED ACROSS CONCENTRATED FLOW, OR ACROSS CONTOURS WITHOUT J-HOOKS (HIGHWAY STANDARD 280001). IN AREAS OF CONCENTRATED FLOW, TEMPORARY DITCH CHECKS ARE A SUITABLE ALTERNATIVE PERIMETER EROSION BARRIER IN PLACE OF THE SILT FENCE.
13. PORTABLE TOILETS SHALL BE PLACED AWAY FROM INLETS AND WATER COURSES.



DATE	BY

DATE	BY

REVISIONS	
NAME	DATE

ILLINOIS DEPARTMENT OF TRANSPORTATION
 F.A.J. ROUTE 336
 IL RTE 31 AND IL RTE 176

EROSION AND
 SEDIMENT CONTROL PLAN
 STAGE 2

0 50' 100'
 1" = 50'

DATE: 02/10/2012
 DRAWN BY: SMP
 CHECKED BY: SJJ