

INLET FILTER

DESCRIPTION: This work shall consist of furnishing, installation, and removal of a drainage structure inlet filter assembly, consisting of a frame and filter bag, to collect sediment in surface storm water runoff at locations shown on the plans or as directed by the Engineer.

The Contractor shall inspect the worksite and review the plans to determine the number and dimensions of the various types of drainage structure frames (circular and rectangular) into which the inlet filters will be installed prior to ordering materials.

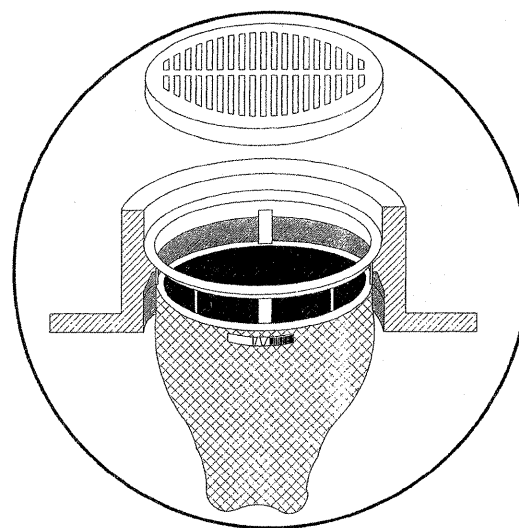
The drainage structure inlet filter assembly shall be installed under the grate on the lip of the drainage structure frame with the fabric bag hanging down into the drainage structure.

The drainage structure inlet filter assembly shall remain in place until final removal of the assembly is directed by the Engineer. The drainage structure inlet filter assembly shall remain the property of the Contractor.

Final removal of the assembly shall include the disposal of debris or silt that has accumulated in the filter bag at the time of final removal. Periodic cleaning of the filter is paid for separately.

The drainage structure inlet filter assembly shall consist of a steel frame with a replaceable geotextile fabric bag attached with a steel band with locking cap that is suspended from the frame. A clean used bag and used steel frame in good condition, meeting the approval of the Engineer, may be substituted for new materials.

The drainage structure inlet filter assembly frame shall be rigid steel meeting the requirements of ASTM-A36. The frame shall include an overflow feature that is welded to the frame's ring. The overflow feature shall be designed to allow full flow of water into the structure if the filter bag is filled with sediment. The dimensions of the assembly frame shall allow the drainage structure grate to fit into the inlet filter assembly frame opening. The assembly frame shall rest on the inside lip of the drainage structure frame for the full variety of existing and proposed drainage structure frames that are present on this contract.



DRAINAGE STRUCTURE INLET FILTER

The drainage structure inlet filter assembly bag shall be constructed of polypropylene geotextile fabric with a minimum weight of 4 ounces per square yard, minimum flow rate of 145 gallons per minute per square foot, and designed for minimum silt and debris capacity of 2 cubic feet. The filter bag shall be reinforced with an outer layer of polyester mesh fabric with a minimum weight of 4 ounces per square yard. The filter bag shall be suspended from the steel frame with a stainless steel band and locking cap. The inlet filter assembly frame shall not cause the drainage structure grate to extend higher than 1/8-inch above the drainage structure frame.

BASIS OF PAYMENT: The work will be paid for at the contract unit price per EACH for INLET FILTER, which price shall include all cost of labor, materials, equipment, and incidental items necessary to perform the work.

TEMPORARY EROSION CONTROL

COMPUTED	MAL	APPROVED	20 05
DRAWN	MAL		
CHECKED	SDR		

FILE NAME = FAU 1587 (McCARTHY ROAD)
 FAP 577 (ARCHER AVENUE)
 FAU 1024 (DERBY ROAD)
 CHANNELIZATION AND
 TRAFFIC SIGNAL INSTALLATION

USER NAME =	DESIGNED -- JLC	REVISED -- THK 2-25-11
	DRAWN -- JFP	REVISED --
PLOT SCALE =	CHECKED -- THK	REVISED --
PLOT DATE =	DATE -- 11/10	REVISED --

**STATE OF ILLINOIS
 DEPARTMENT OF TRANSPORTATION**

EROSION CONTROL NOTES AND DETAILS

SCALE: NONE SHEET NO. OF SHEETS STA. TO STA.

Frank Novotny & Associates, Inc.
 Civil Engineers
 Municipal Consultants
 255 Midway Drive • Wheelbrook, IL • 60097 • Telephone: (630) 887-9640 • Fax: (630) 887-0132
 ILLINOIS PROFESSIONAL DESIGN FIRM NO. 184-000208

F.A. -	SECTION	COUNTY	TOTAL SHEETS	SHEET NO.
VAR	02-00055-00-WR	COOK	84	44
CONTRACT NO. 63557				
FED. ROAD DIST. NO. ILLINOIS FED. AID PROJECT HPP-M-8003(504)				