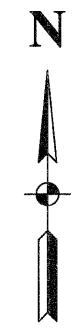
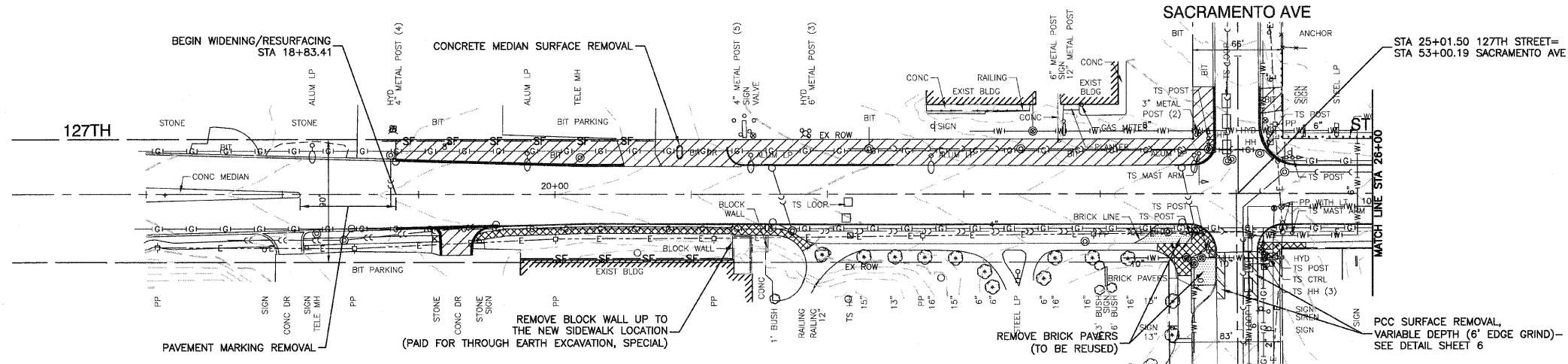
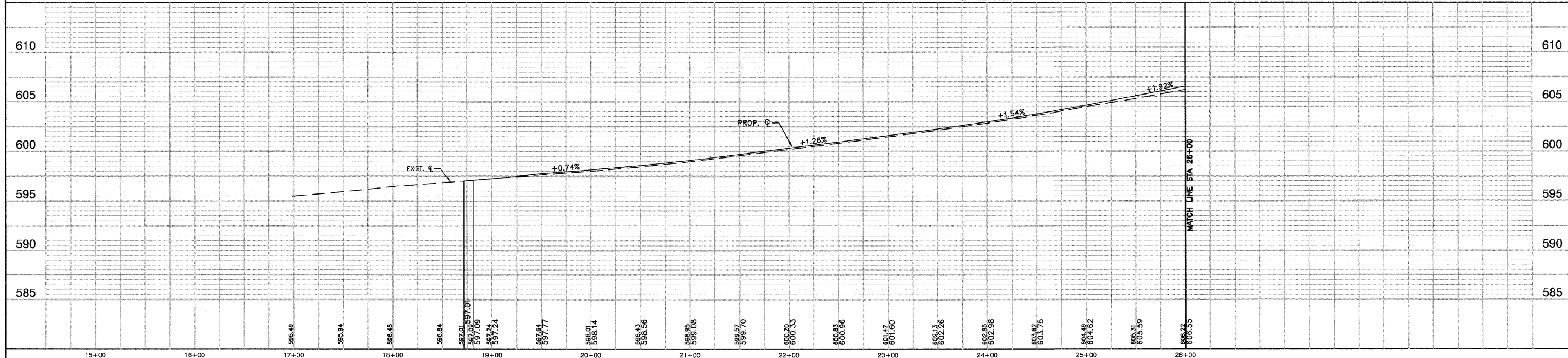
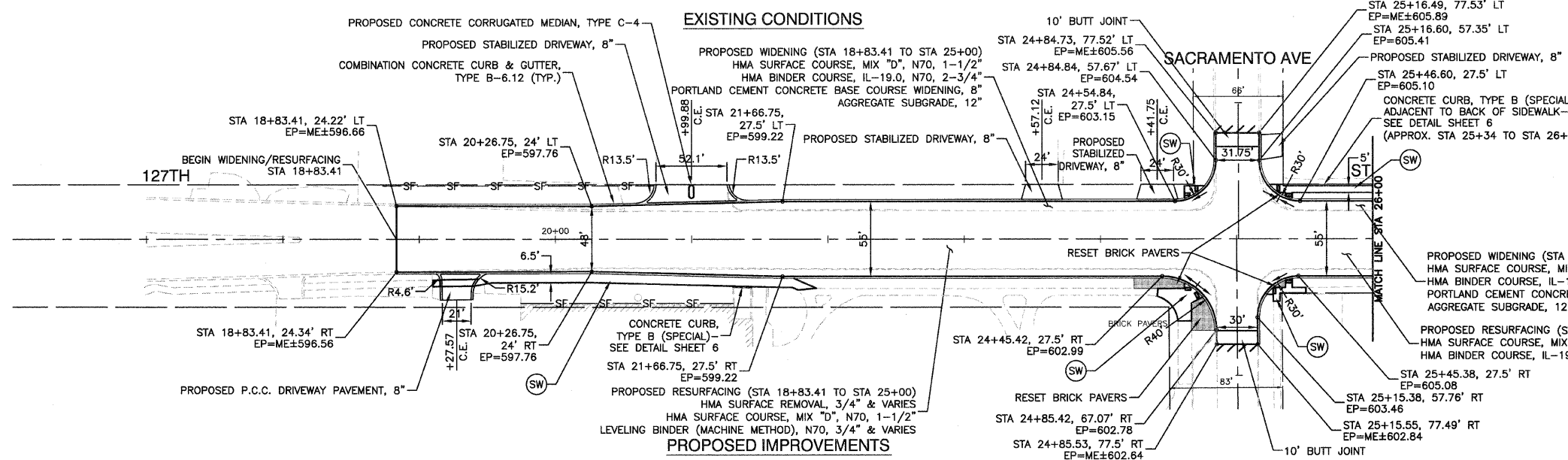


SECTION 25, TOWNSHIP 37, RANGE 13  
SECTION 36, TOWNSHIP 37, RANGE 13



- LEGEND**
- CONCRETE CURB & GUTTER REMOVAL
  - PROPOSED DEPRESSED CURB
  - PROPOSED ADA COMPLIANT DETECTABLE WARNING, 4'x2' (RED E.J.I.W. CAST IRON PLATES)
  - SIDEWALK REMOVAL
  - DRIVEWAY PAVEMENT REMOVAL
  - PROPOSED P.C.C. SIDEWALK, 5" (3" AGGREGATE BASE INCLUDED IN THE COST OF THE P.C.C. SIDEWALK, 5")
  - BUTT JOINT
  - SF— PROPOSED SILT FENCE



FILE NAME = 09827-PLPR-01 - PLPR01	USER NAME =	DESIGNED — HLG/TAG	REVISED —	<b>STATE OF ILLINOIS DEPARTMENT OF TRANSPORTATION</b>	<b>FAP 0344 (127TH STREET) AT SACRAMENTO AVENUE PLAN &amp; PROFILE</b>	F.A.U. RTE. 0344	SECTION 06-00175-00-TL	COUNTY COOK	TOTAL SHEETS 48	SHEET NO. 7			
PLOT SCALE = 1" = 50'	CHECKED — HLG	REVISOR —	REVISED —			SCALE: H 1"=50' V 1"=5'	SHEET NO. 7	OF 48 SHEETS	STA. 18+71.82	TO STA. 26+00	FED. ROAD DIST. NO. 1	ILLINOIS	FED. AID PROJECT F-0344 (041)
PLOT DATE = 02-22-12	DRAWN — LTL	REVISOR —	REVISED —			CONTRACT NO. 63613							
	CHECKED — AG	REVISOR —	REVISED —										