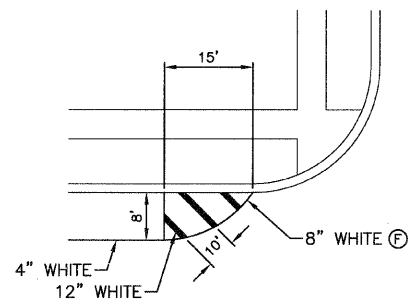
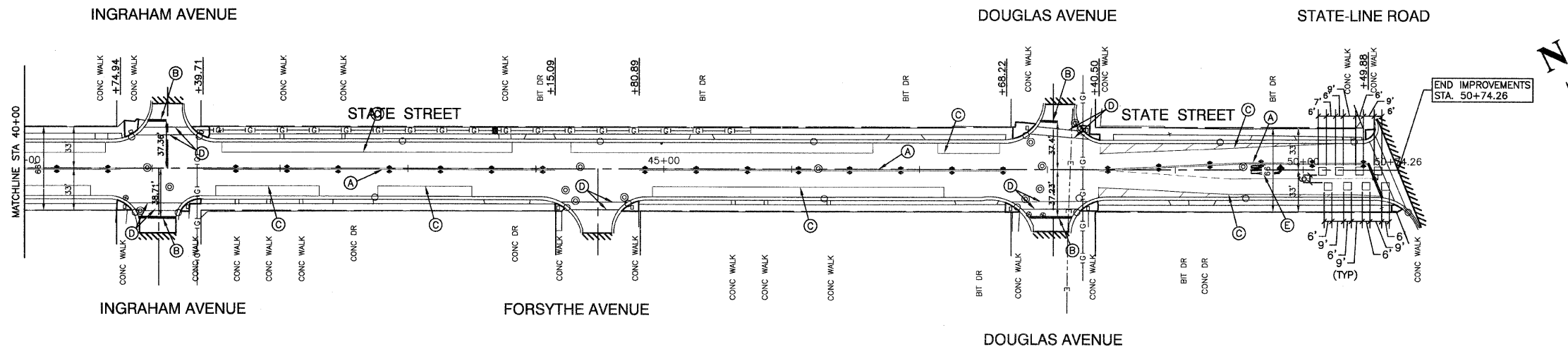
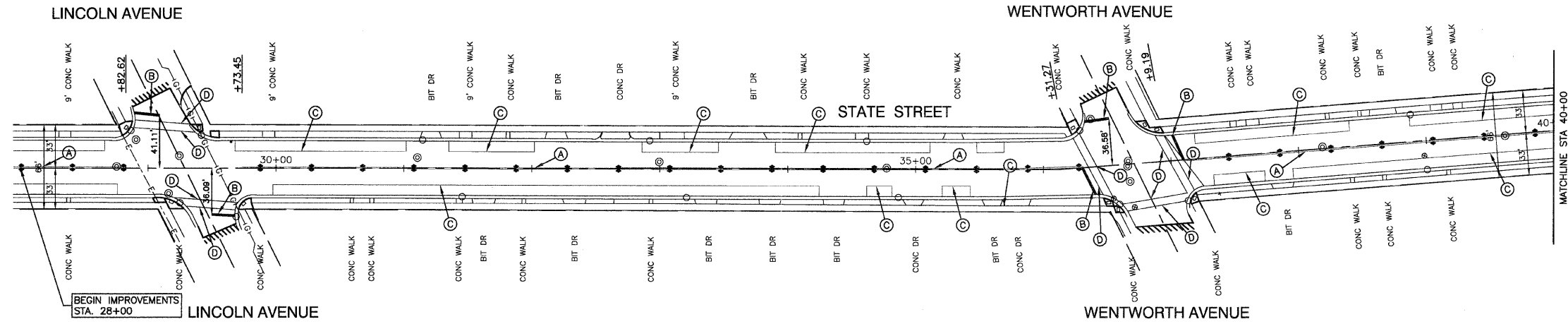
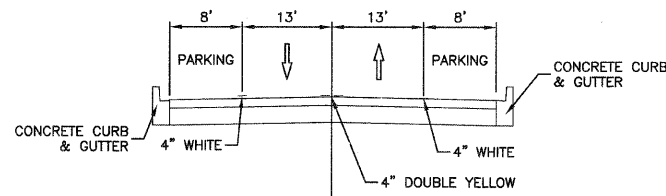


SECTION 8, TOWNSHIP 36, RANGE 15



DETAIL FOR PARKING LANE AT INTERSECTION



DETAIL FOR PAVEMENT MARKING

LEGEND

- (A) THERMOPLASTIC PAVEMENT MARKING YELLOW, DOUBLE LINE, 4"
- (B) THERMOPLASTIC PAVEMENT MARKING WHITE, 24"
- (C) THERMOPLASTIC PAVEMENT MARKING WHITE, 4"
- (D) THERMOPLASTIC PAVEMENT MARKING WHITE, 6"
- (E) THERMOPLASTIC PAVEMENT MARKING LINE, LETTERS & SYMBOLS
- (F) THERMOPLASTIC PAVEMENT MARKING WHITE, 8"
- ◆ TWO WAY AMBER MARKER 40' CENTER TO CENTER

FILE NAME = 11483-PLAN-01 - IDOT P01 (2)

USER NAME =
 PLOT SCALE =
 PLOT DATE = 09/29/11

DESIGNED — EER
 CHECKED — ###
 DRAWN — MED
 CHECKED — ACAD

REVISED —
 REVISED —
 REVISED —
 REVISED —

STATE OF ILLINOIS
 DEPARTMENT OF TRANSPORTATION

STATE STREET RESURFACING
 LINCOLN AVENUE TO STATE-LINE ROAD
 PAVEMENT MARKING

SCALE: 1"=50'

SHEET NO. 5 OF 11 SHEETS STA. 10+00 TO STA. 35+50

F.A.U. RTE.	SECTION	COUNTY	TOTAL SHEETS	SHEET NO.
3596	11-00150-00-RS	COOK	11	5
FED. ROAD DIST. NO. 1		ILLINOIS		FED. AID PROJECT TCSP-IL11(036)
			CONTRACT NO. 63674	