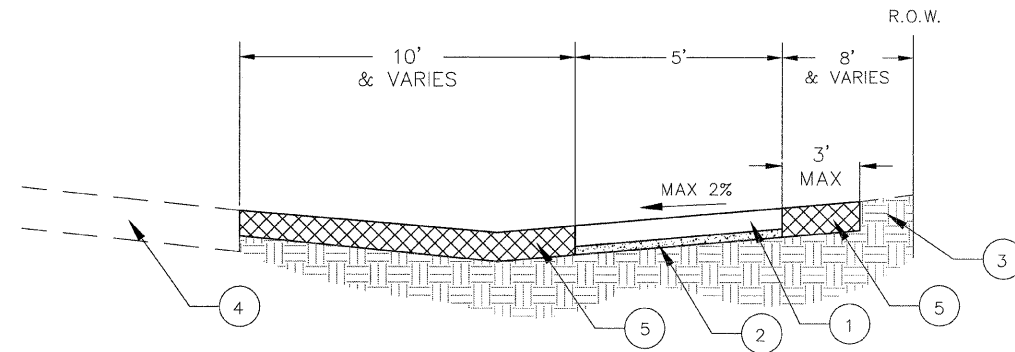
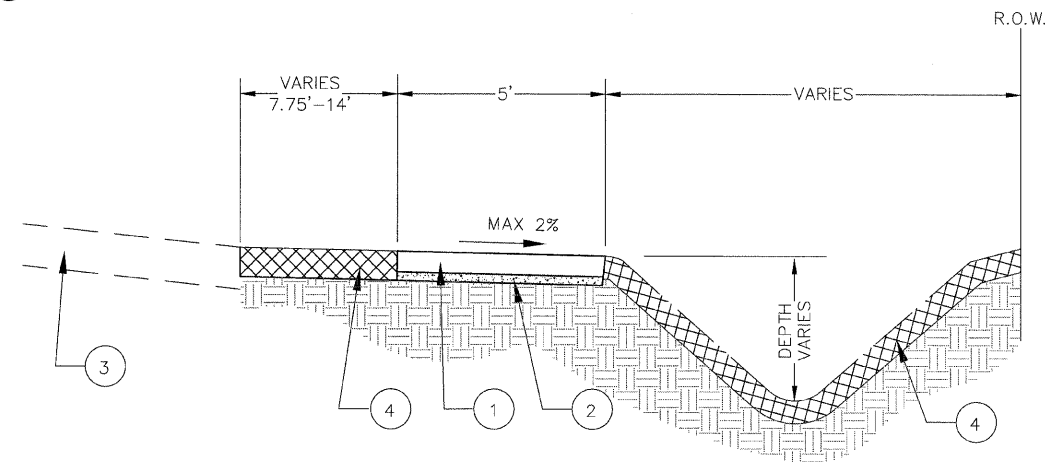


- ① PROPOSED P.C.C. SIDEWALK, 5"
- ② PROPOSED AGGREGATE BASE COURSE, TYPE B, 4"
- ③ EXISTING GROUND
- ④ EXISTING ROADWAY PAVEMENT
- ⑤ PROPOSED SODDING (SCHOOL STREET; SALT TOLERANT) OR SEEDING (CLASS 2A)



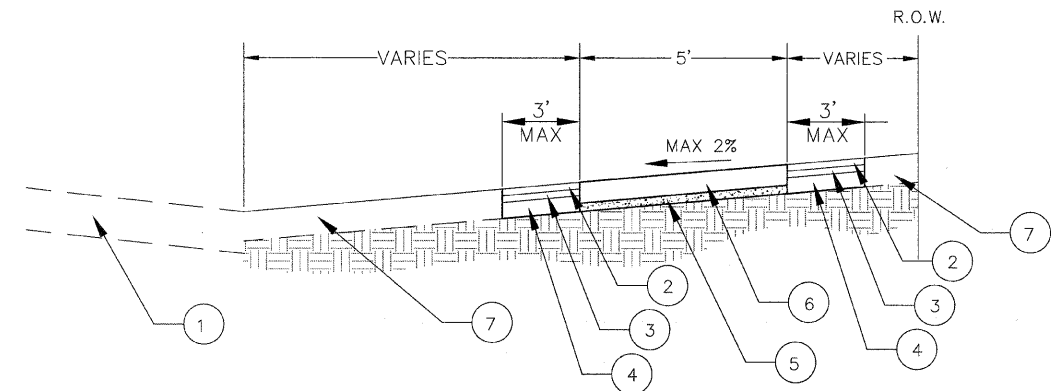
PROPOSED TYPICAL CROSS SECTION
 GERMAN CHURCH RD STA 10+31 TO STA 11+37;
 SCHOOL ST STA 10+50 TO STA 17+75;
 WOLF RD STA 16+00 TO STA 17+00

- ① PROPOSED P.C.C. SIDEWALK, 5"
- ② PROPOSED AGGREGATE BASE COURSE, TYPE B, 4"
- ③ EXISTING ROADWAY PAVEMENT
- ④ PROPOSED SODDING (SCHOOL STREET; SALT TOLERANT) OR SEEDING (CLASS 2A)



PROPOSED TYPICAL CROSS SECTION—REVERSE PITCHED SIDEWALK
 GERMAN CHURCH RD STA 11+37 TO STA 26+06; SCHOOL ST STA 10+19 TO STA 10+50 AND STA 17+75 TO STA 18+32; WOLF RD STA 11+19 TO STA 16+00

- ① EXISTING ROADWAY PAVEMENT
- ② PROPOSED HOT-MIX ASPHALT SURFACE COURSE, MIX 'D', N50, 1 1/2" (MIN)
- ③ PROPOSED HOT-MIX ASPHALT BASE COURSE, IL19.0, N50, 2 1/4"
- ④ PROPOSED AGGREGATE BASE COURSE, TYPE B, 8"
- ⑤ PROPOSED AGGREGATE BASE COURSE, TYPE B, 4"
- ⑥ PROPOSED PCC SIDEWALK, 5"
- ⑦ EXISTING HOT-MIX ASPHALT DRIVEWAY



PROPOSED TYPICAL CROSS SECTION
 AT HOT-MIX ASPHALT DRIVEWAYS
 (SCHOOL STREET)

| HOT-MIX ASPHALT MIXTURE REQUIREMENTS CHART | |
|---|-------------------|
| MIXTURE TYPE | AIR VOIDS AT Ndes |
| DRIVEWAYS | |
| HOT-MIX ASPHALT SURFACE COURSE, MIX 'D', N50 (IL 9.5mm), 1 1/2" | 4% AT 50 GYR |
| HOT-MIX ASPHALT BASE COURSE (HMA BINDER IL 19mm) 2 1/4" | 4% AT 50 GYR |

THE UNIT WEIGHT USED TO CALCULATE ALL HMA SURFACE MIXTURE QUANTITIES IS 112 LBS/SQ YD/IN

THE "AC TYPE" FOR POLYMERIZED HMA MIXES SHALL BE "SBS/SBR PG 70-22" AND FOR NON-POLYMERIZED HMA THE "AC TYPE" SHALL BE "PG 64-22" UNLESS MODIFIED BY DISTRICT ONE SPECIAL PROVISIONS.

FOR "PERCENT OF RAP" SEE DISTRICT ONE SPECIAL PROVISIONS.

STA. 10+31 TO STA. 26+06 (GERMAN CHURCH ROAD)
 STA. 10+19 TO STA. 18+32 (SCHOOL STREET)
 STA. 11+19 TO STA. 17+00 (WOLF ROAD)

DRAWN BY: JMH

REVISED: _____

CHECKED BY: JCH

REVISED: _____

DATE: 04/27/11

REVISED: _____

REVISED: 01.10.12

REVISED: _____

STATE OF ILLINOIS
DEPARTMENT OF TRANSPORTATION

TYPICAL PROPOSED SECTIONS

SCALE: N.T.S.

SHEET No. 4 OF 20 SHEETS

FAU RTE
 1552 (G.C.)

SECTION
 11-00032-00-SW

COUNTY
 COOK

TOTAL SHEETS
 20

SHEET NO.
 5

CONTRACT No. 63688

FED. ROAD DIST. NO.

ILLINOIS

FED. AID PROJECT