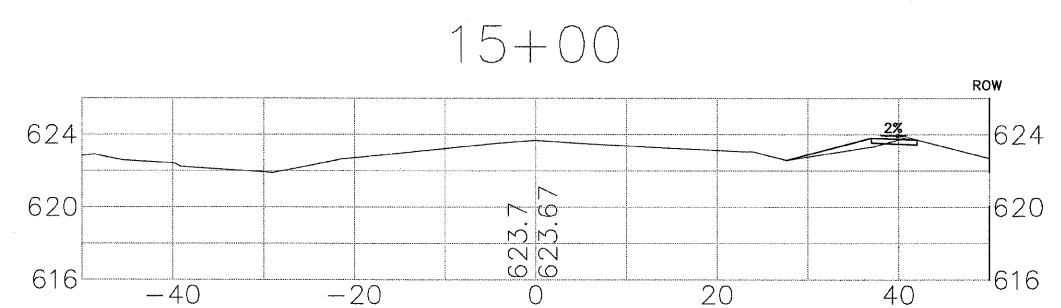
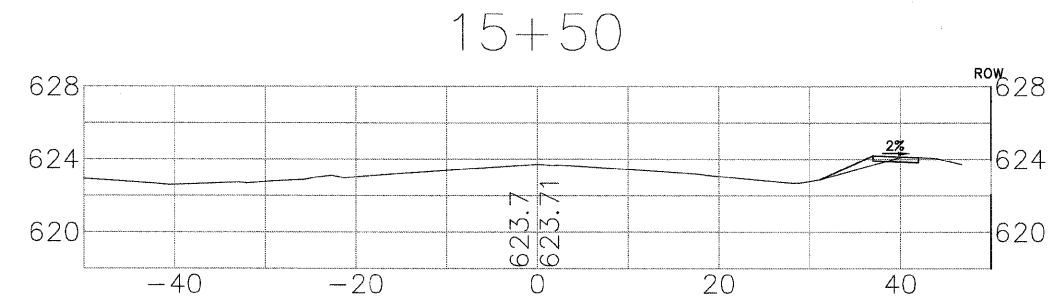
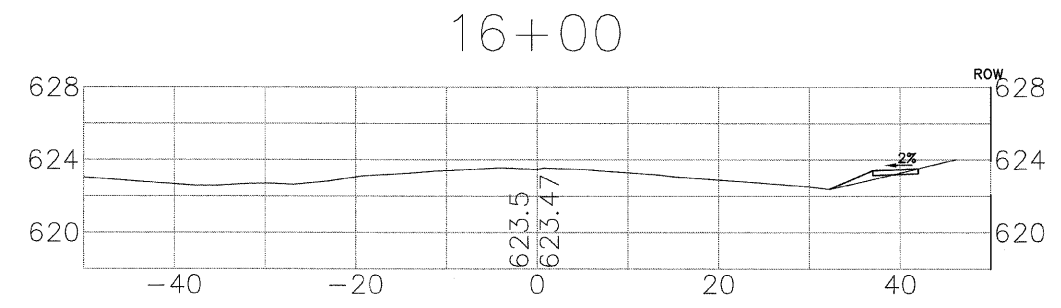
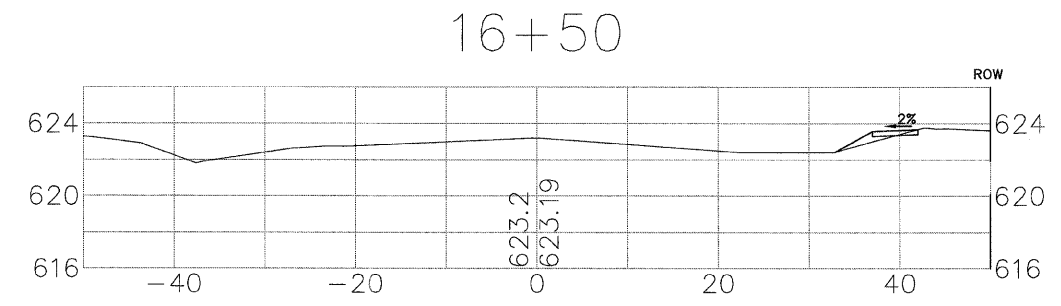
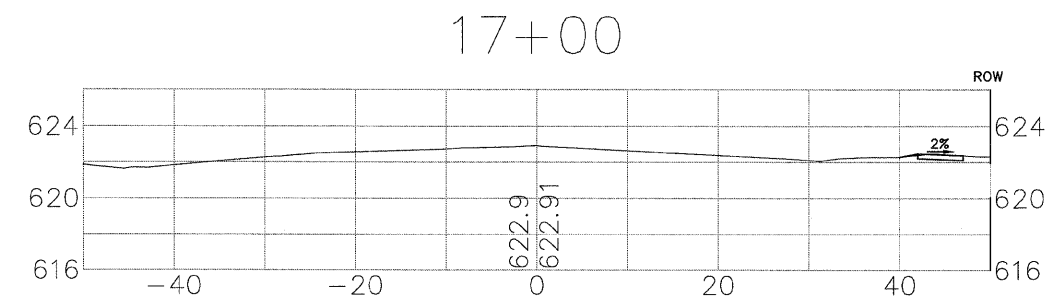


NOTE: PROPOSED SIDEWALK WILL MATCH EXISTING ELEVATIONS OF GROUND; TYPICAL CUT AT EACH CROSS-SECTION = 3.75 SQUARE FEET; TYPICAL FILL AT EACH CROSS-SECTION IS MINIMAL.



STA. 10+31 TO STA. 26+06 (GERMAN CHURCH ROAD) STA. 10+19 TO STA. 18+32 (SCHOOL STREET) STA. 11+19 TO STA. 17+00 (WOLF ROAD)	DRAWN BY: JMH	REVISED: _____	<b>STATE OF ILLINOIS</b> <b>DEPARTMENT OF TRANSPORTATION</b>	<b>WOLF ROAD</b> <b>CROSS-SECTIONS</b>	FAU RTE	SECTION	COUNTY	TOTAL SHEETS	SHEET NO.
	CHECKED BY: JCH	REVISED: _____			1552 (G.C.)	11-00032-00-SW	COOK	20	20
	DATE: 04/27/11	REVISED: _____			CONTRACT No. 63688				
	REVISED: 01.10.12	REVISED: _____			SCALE: H:1"=10' V:1"=5'	SHEET No. 20 OF 20 SHEETS	FED. ROAD DIST. NO.	ILLINOIS	FED. AID PROJECT

P:\PROJECTS\11-00032\11-00032-00-SW\11-00032-00-SW-20.DWG

SEE JOB NO. 11-00032-00-SW-20