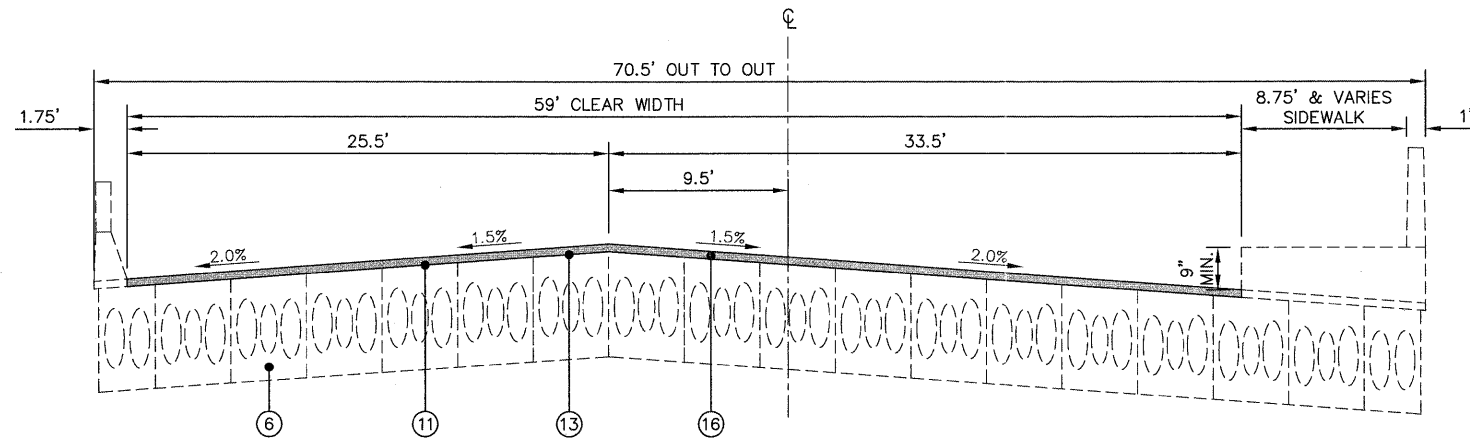
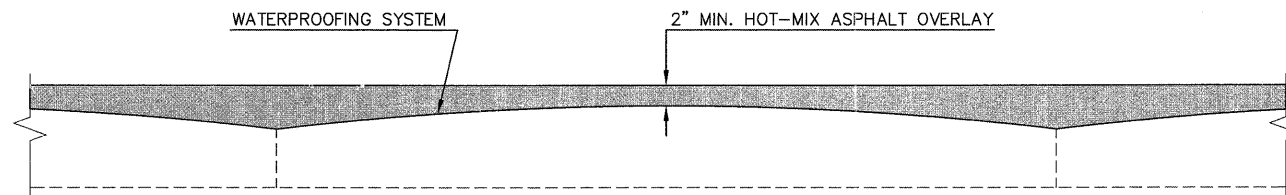


EXISTING TYPICAL SECTION
STA 69+29 TO STA 74+27, KIMBALL STREET
 N.T.S.



PROPOSED TYPICAL SECTION
STA 69+29 TO STA 74+27, KIMBALL STREET
 N.T.S.



OVERLAY DETAIL
(PROFILE VIEW)

LEGEND

- ① EXISTING 16" ASPHALT PAVEMENT
- ② EXISTING 7" PORTLAND CEMENT CONCRETE BASE
- ③ EXISTING 4" SUB-BASE GRANULAR MATERIAL, TYPE B
- ④ EXISTING B-6.18 COMBINATION CONCRETE CURB AND GUTTER
- ⑤ EXISTING PORTLAND CEMENT CONCRETE SIDEWALK, 5" OR BRICK PAVER
- ⑥ EXISTING 21"x48" PPC DECK BEAMS
- ⑦ EXISTING 2" ASPHALT WEARING SURFACE
- ⑧ COMBINATION CONCRETE CURB AND GUTTER REMOVAL AND REPLACEMENT (AT VARIOUS LOCATIONS)
- ⑨ SIDEWALK REMOVAL AND PCC SIDEWALK, 5" (AT VARIOUS LOCATIONS)
- ⑩ HOT-MIX ASPHALT SURFACE REMOVAL (DECK)
- ⑪ WATERPROOFING MEMBRANE SYSTEM
- ⑫ HOT-MIX ASPHALT SURFACE REMOVAL, 2.75"
- ⑬ BITUMINOUS MATERIALS (PRIME COAT) AND AGGREGATE (PRIME COAT)
- ⑭ POLYMERIZED LEVELING BINDER (MACHINE METHOD), IL-4.75, N50, 1"
- ⑮ HOT-MIX ASPHALT SURFACE COURSE, MIX "D", N70, 1.75"
- ⑯ BRIDGE DECK WEARING SURFACE

Plotted: January 19, 2012 @ 4:10 PM By: Josh Boatman - Tab: 05 Section - 22x34

COPYRIGHT © 2012 ENGINEERING ENTERPRISES, INC.

USER NAME =	DESIGNED -	REVISED -
	DRAWN -	REVISED -
PLOT SCALE =	CHECKED -	REVISED -
PLOT DATE =	DATE -	REVISED -

STATE OF ILLINOIS
DEPARTMENT OF TRANSPORTATION

TYPICAL SECTIONS

SCALE: NONE SHEET NO. 2 OF 4 SHEETS STA. N/A TO STA. N/A

F.A.J. RTE. 1314	SECTION 11-00182-00-RS	COUNTY KANE	TOTAL SHEETS 25	SHEET NO. 5
CONTRACT NO. 63689				
FED. ROAD DIST. NO. 1 ILLINOIS FED. AID PROJECT NO. M-900308471				

P:\FHWA\11-00182\00-RS\DWG\11-00182-00-RS-TYPICAL SECTIONS.DWG FINAL ENG 12/05/11