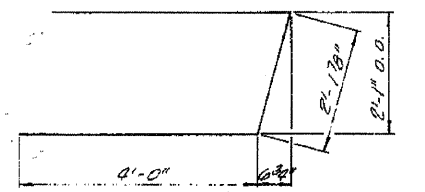
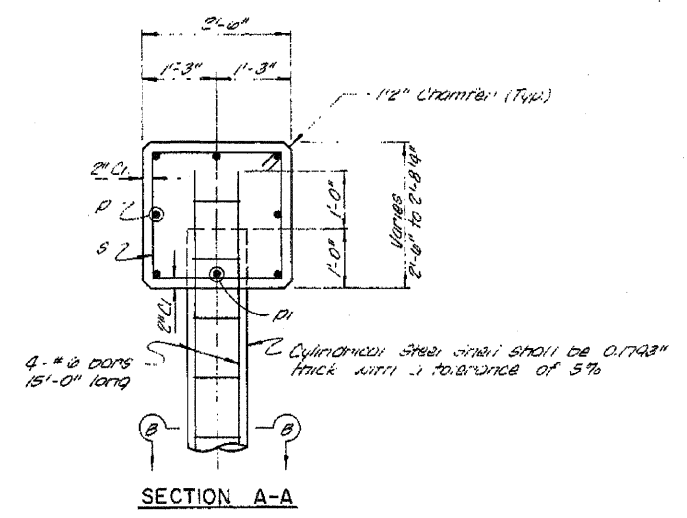
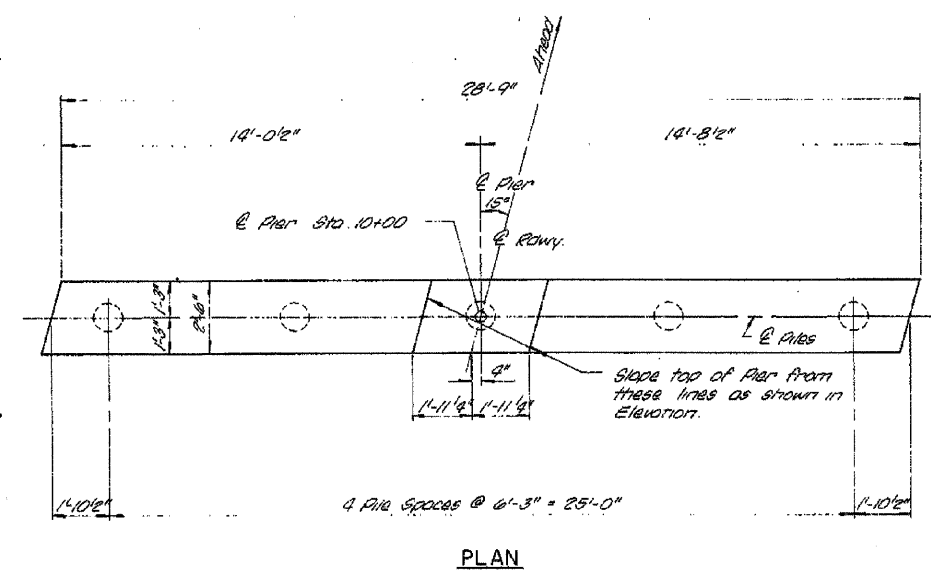
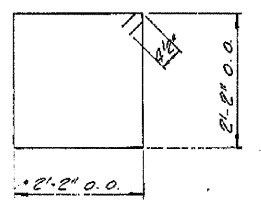


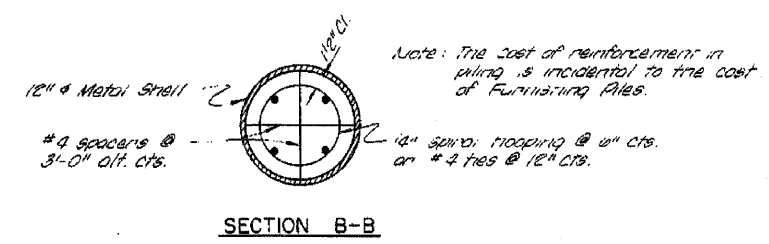
SHEET NO.	SUB.	COUNTY	TOTAL SHEETS	SHEET NO.
118-1-52		KANE	10	10
ROAD DIST. BIG ROCK				



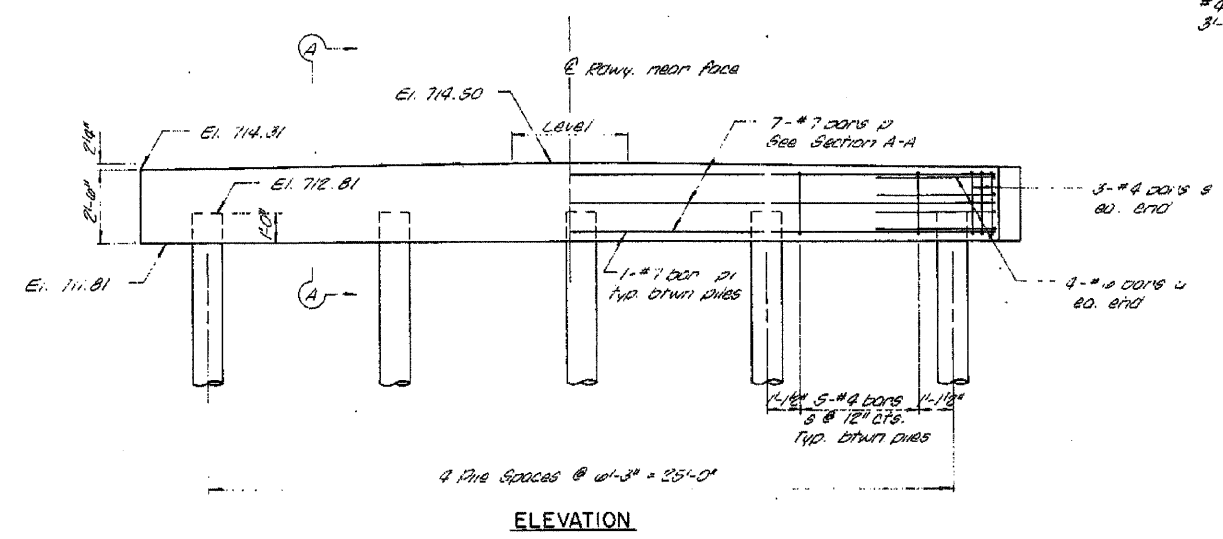
BAR u



BAR s



SECTION B-B



ELEVATION

BILL OF MATERIAL

BAR	NO.	SIZE	LENGTH	SHAPE
D	7	#7	28'-5"	
D1	4	#7	8'-0"	
U	8	#6	10'-2"	
S	20	#4	9'-5"	
		Class X Concrete	Cu. Yd.	0.8
		Reinforcement Bars	Round	730
		Metal Pile Shells 12"	Lin. Ft.	192
		Test Piles Metal Shell	Each	1

PILE DATA

Type ----- Metal Shell Cast-in-Place Concrete
 No. Req'd (1 Pier) ----- 4 + 1 Test
 Est. Length ----- 38 Feet / Pier
 Min. Capacity ----- 32 Tons / Pier

Note: One Metal Shell test pile shall be driven in a permanent location at the Pier.

PIER	
SECTION 118-1- TR	
BIG ROCK ROAD DISTRICT	
KANE COUNTY	
STATION 10+00	
COLLINS AND RICE	
CONSULTING ENGINEERS	
DESIGNED F.S.	CHECKED M.B.
DRAWN J.F.	DATE 10-18-12 No. 877