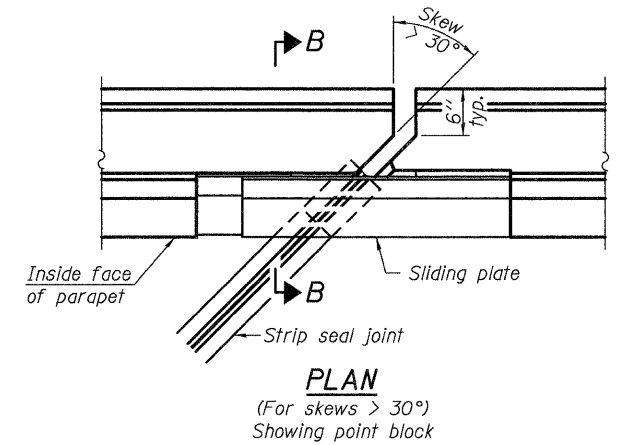
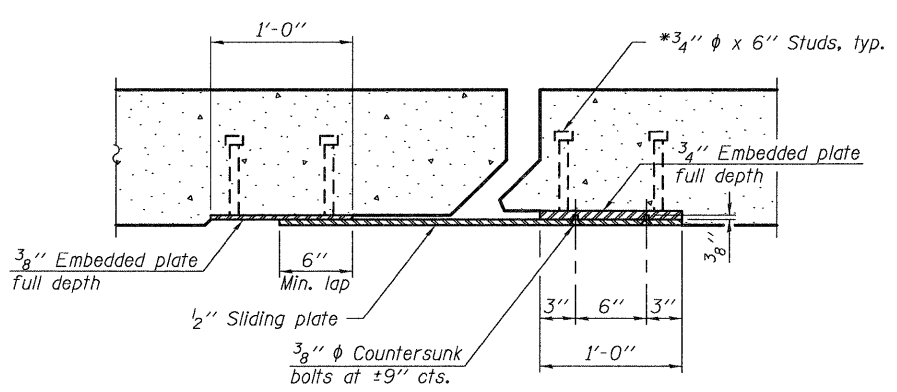


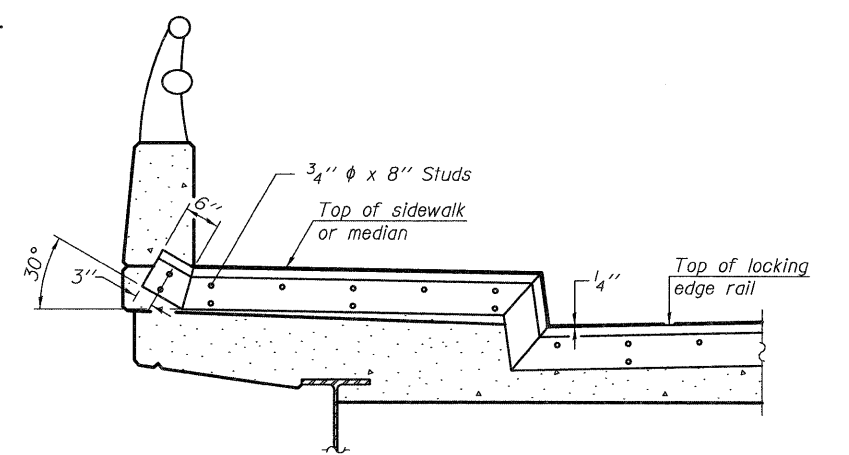
PLAN
(For skews $\leq 30^\circ$)



PLAN
(For skews $> 30^\circ$)
Showing point block

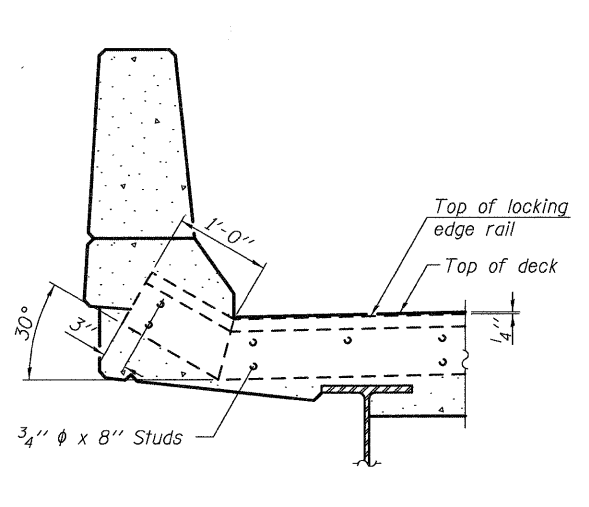


SECTION C-C

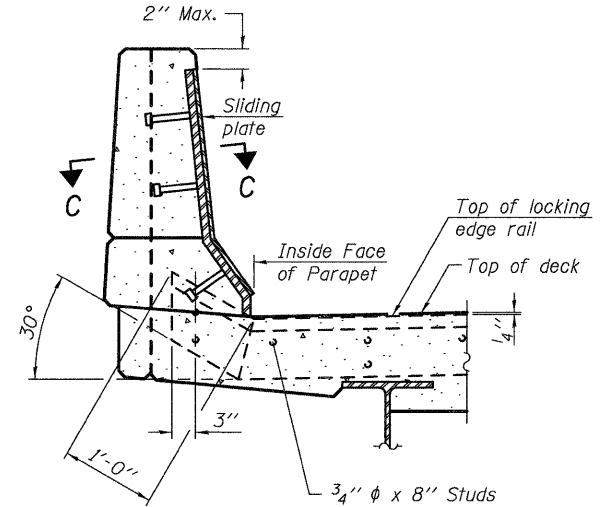


TYPICAL END TREATMENT AT SIDEWALK OR MEDIAN

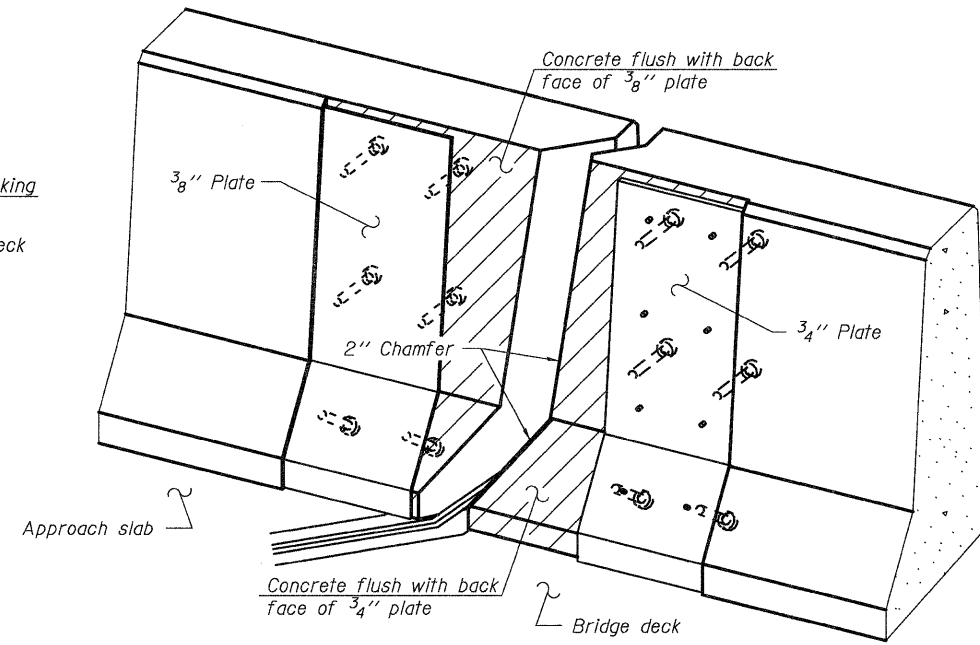
Shorter plates with a single row of studs at 12" cts. may be necessary on medians which are shallower than 9". See manufacturer's recommendation.



SECTION A-A



SECTION B-B



TRIMETRIC VIEW
(Showing back plates only)

Notes:

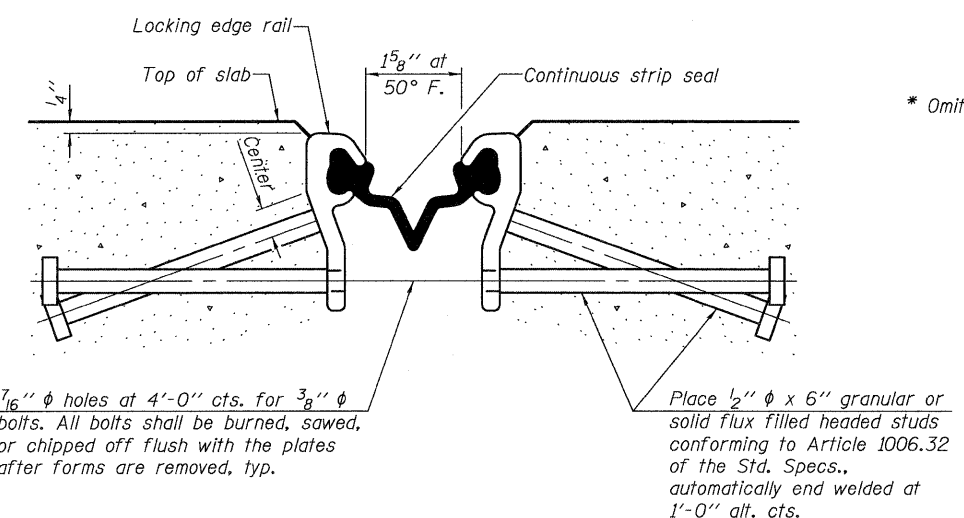
The strip seal shall be made continuous and shall have a minimum thickness of 1/4". The configuration of the strip seal shall match the configuration of the Locking Edge Rails. Open or "webbed" strip seal gland configurations are not permitted. The gland shall be sized for a maximum rated movement of 4 inches.

The Locking Edge Rails depicted are conceptual only, except for the minimum dimensions shown. The actual configuration of the Locking Edge Rails and matching strip seal may vary from manufacturer to manufacturer. Flanged edge rails will not be allowed. Locking Edge Rails may be spliced at slope discontinuities.

The manufacturer's recommended installation methods shall be followed. The joint opening and deck dimensions detailed on the superstructure are based on a rolled rail expansion joint. If the Contractor elects to use the welded rail expansion joint, the opening and deck dimensions shall be modified according to the dimensions detailed on this sheet. Required modifications shall be made at no additional cost to the State.

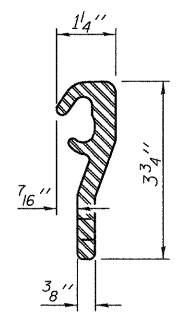
All steel components shall be galvanized after fabrication according to Article 520.03 of the Standard Specifications. Maximum space between rail segments at stage lines shall be 3/16", sealed with a suitable sealant.

Parapet plates and anchorage studs for skews > 30° included in the cost of Preformed Joint Strip Seal. The inside of the Locking Edge Rail groove shall be free of weld residue.

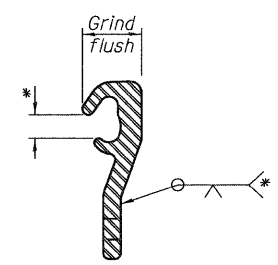


SECTION THRU STRIP SEAL JOINT FOR OVERLAY OVER DECK BEAMS

* Omit weld at seal opening.



LOCKING EDGE RAIL



LOCKING EDGE RAIL SPLICE

BILL OF MATERIAL

Item	Unit	Total
Preformed Joint Strip Seal	Foot	163

DESIGNED - ADY	EXAMINED - <i>Joanne F. Jullif</i> ACTING ENGINEER OF STRUCTURAL SERVICES	DATE - MARCH 8, 2012
CHECKED - MKC	PASSED - <i>Carl Pappas</i> ACTING ENGINEER OF BRIDGES AND STRUCTURES	
DRAWN - Kyle M. Steffen		
CHECKED - ADY MKC		

STATE OF ILLINOIS
DEPARTMENT OF TRANSPORTATION

PREFORMED JOINT STRIP SEAL DETAILS
SN 101-0033 (NB) & 0034 (SB)

SHEET NO. 4 OF 6 SHEETS

F.A. RTE. 738	SECTION (SBM)	COUNTY WINNEBAGO	TOTAL SHEETS 24	SHEET NO. 16
				CONTRACT NO. 64H21
ILLINOIS FED. AID PROJECT				