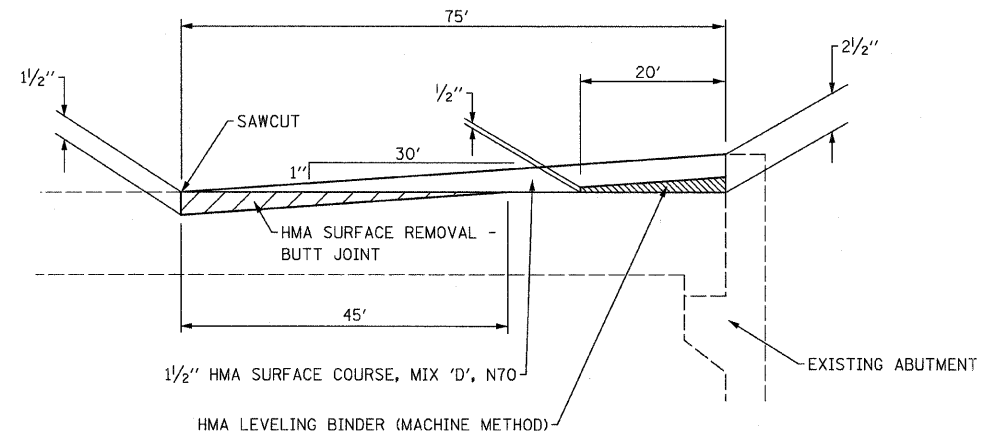
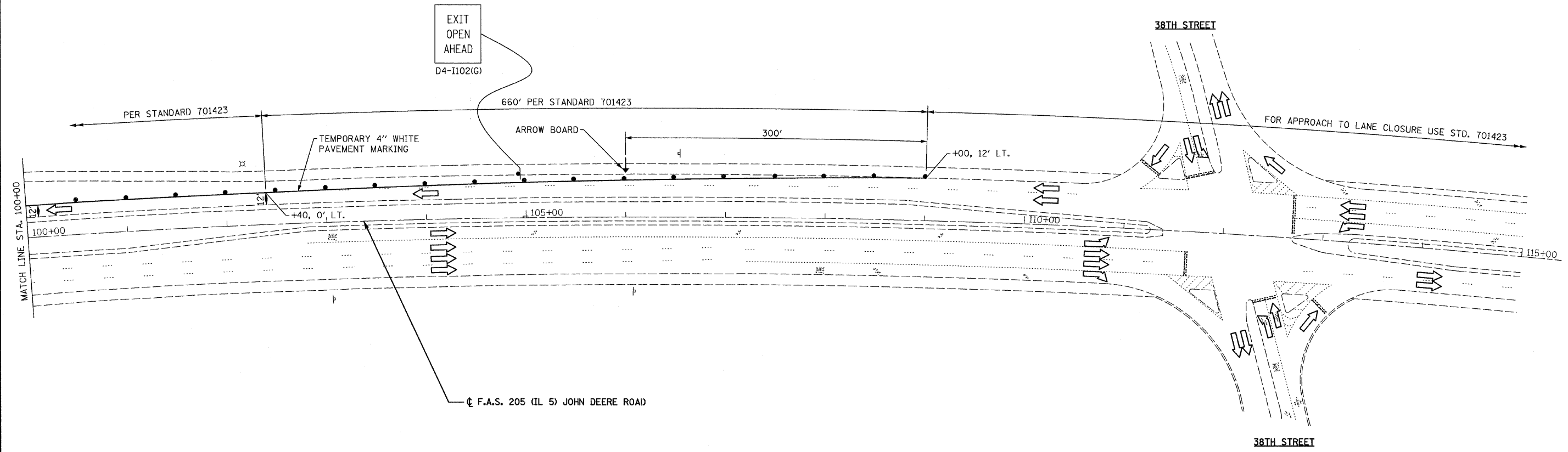




| | |
|---------------|--|
| DATE | |
| BY | |
| FINAL SURVEY | |
| SURVEYED | |
| NOTE BOOK | |
| PLOTTED | |
| TEMPLATE | |
| AREAS CHECKED | |
| NO. | |

| | |
|-----------------|--|
| DATE | |
| BY | |
| ORIGINAL SURVEY | |
| SURVEYED | |
| NOTE BOOK | |
| PLOTTED | |
| TEMPLATE | |
| AREAS CHECKED | |
| NO. | |



TEMPORARY RAMP TAPER DETAIL

NOTES:

- PRESTAGE WORK ON F.A.S 205 SHALL BE DONE UTILIZING STANDARD 701422, "LANE CLOSURE, MULTILANE, FOR SPEEDS ≥ 45 MPH TO 55 MPH".
- FOR LOCATIONS OF THE TEMPORARY RAMP TAPERS SEE SHEET NO'S 7, 8, 11 & 12.

LEGEND

| | |
|--|---|
| | PROPOSED HMA SURFACE REMOVAL, 2" HMA SURFACE COURSE, MIX 'C', N50, 2" |
| | TEMPORARY CONCRETE BARRIER |
| | RELOCATED IMPACT ATTENUATOR, TEMPORARY (NON-REDIRECTIVE) TEST LEVEL 3 |
| | TRAFFIC FLOW ARROW |
| | WORK ZONE |
| | DRUMS SPACED AT INTERVALS AS NOTED |
| | TEMPORARY SIGN WITH MESSAGE |

FILE NAME =D264H71-sht-stage1.03.dgn
 PLOT DATE =1/24/2012
 PLOT SCALE=50.0000' / IN.

CHRISTIAN-ROGE & ASSOCIATES, INC.
 ENGINEERS-PLANNERS-SURVEYORS
 211 WEST WACKER DRIVE
 CHICAGO, ILLINOIS 60606
 PHONE: (312)372-2023 FAX: (312)372-5274

| | |
|---------------------|-----------|
| DESIGNED - E.M. | REVISED - |
| DRAWN - B.K. | REVISED - |
| CHECKED - G.F.L. | REVISED - |
| DATE - JANUARY 2012 | REVISED - |

STATE OF ILLINOIS
DEPARTMENT OF TRANSPORTATION

TRAFFIC CONTROL AND PROTECTION PLAN
IL ROUTE 5 AT I-74
STAGE I

SCALE: 1" = 50' SHEET NO. OF SHEETS STA. TO STA.

| F.A.S. RTE. | SECTION | COUNTY | TOTAL SHEETS | SHEET NO. |
|-------------|-------------|-------------|--------------|--------------------|
| 205 | (81-2HB-1)M | ROCK ISLAND | 29 | 9 |
| | | | | CONTRACT NO. 64H71 |

MOT 03