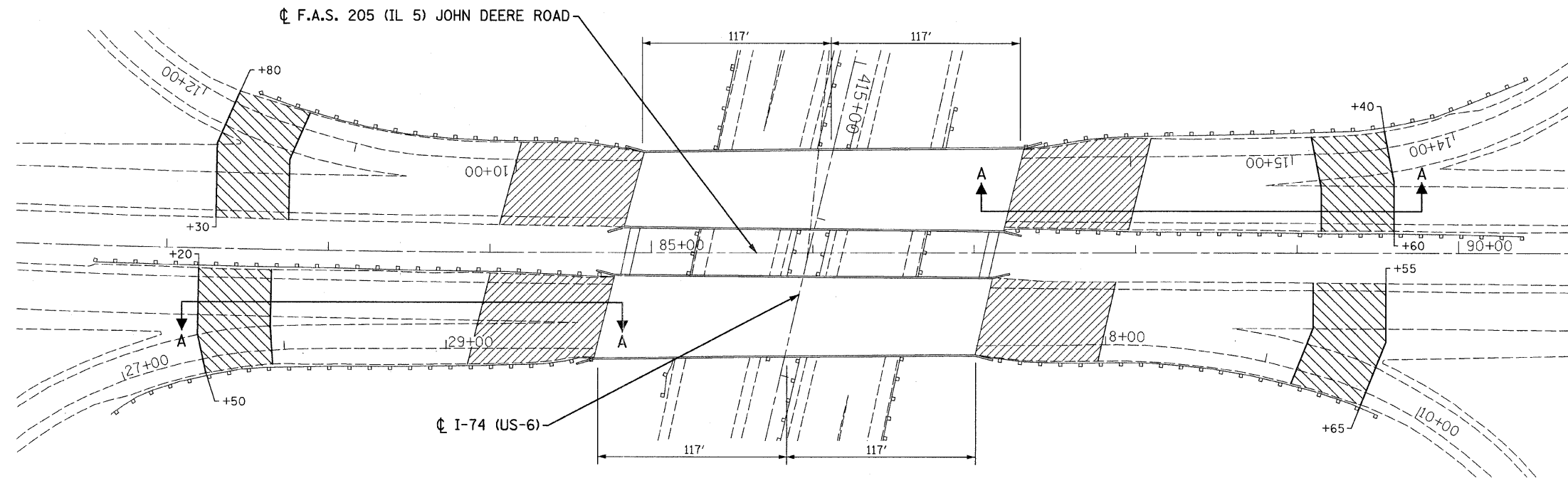


DATE	
BY	
FINAL SURVEY	
SURVEYED	
PLOTTED	
TEMPLATE	
NOTE BOOK	
AREAS CHECKED	
NO.	

DATE	
BY	
ORIGINAL SURVEY	
SURVEYED	
PLOTTED	
TEMPLATE	
NOTE BOOK	
AREAS CHECKED	
NO.	

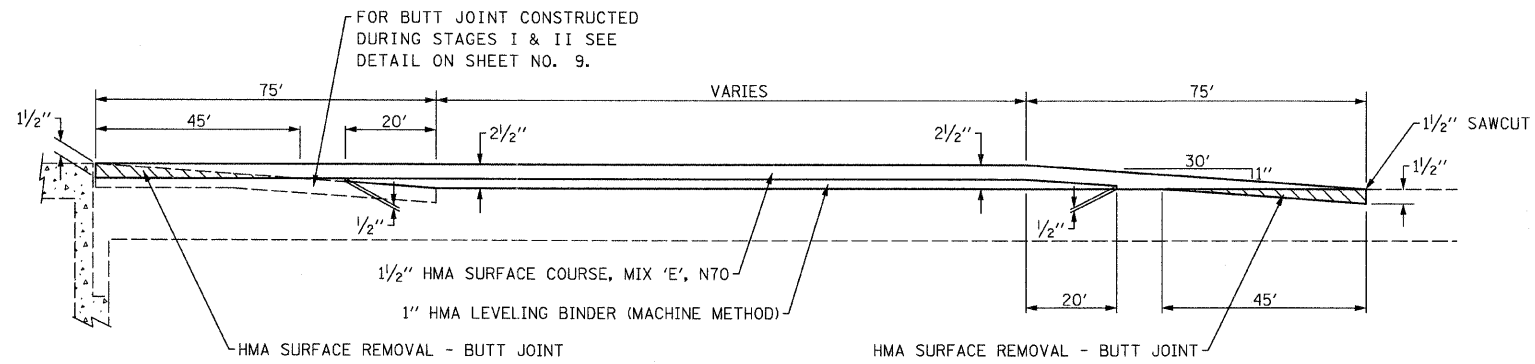


**PLAN LEGEND**

- PROPOSED BUTT JOINT
- TEMPORARY HMA RAMPS CONSTRUCTED DURING STAGES I & II

**NOTES:**

1. WORK TO BE ACCOMPLISHED USING TRAFFIC CONTROL AND PROTECTION STANDARD 701422 "LANE CLOSURE, MULTILANE, FOR SPEEDS ≥ 45 MPH TO 55 MPH" AND STANDARD 701456, "PARTIAL EXIT RAMP CLOSURE, FREEWAY/ EXPRESSWAY".
2. THE BUTT JOINT SHALL BE CONSTRUCTED IMMEDIATELY PRIOR TO PLACING THE PROPOSED HMA COURSES.



**SECTION A-A (TYP.)**  
(NOT TO SCALE)

FILE NAME =D264H71-sh1-but-jointdet.dgn  
 PLOT DATE =1/24/2012  
 PLOT SCALE=48.0002' / IN.

**CR & A**  
**CHRISTIAN-ROGE & ASSOCIATES, INC.**  
 ENGINEERS-PLANNERS-SURVEYORS  
 211 WEST WACKER DRIVE  
 CHICAGO, ILLINOIS 60606  
 PHONE: (312)372-2023 FAX: (312)372-5274

DESIGNED - G.F.L.	REVISED -
DRAWN - B.K.	REVISED -
CHECKED - E.J.M.	REVISED -
DATE - JANUARY 2012	REVISED -

**STATE OF ILLINOIS**  
**DEPARTMENT OF TRANSPORTATION**

**APPROACH PAVEMENT REMOVAL & REPLACEMENT PLAN**  
**IL. ROUTE 5 AT I-74**

SCALE: SHEET NO. OF SHEETS STA. TO STA.

F.A.S. RTE.	SECTION	COUNTY	TOTAL SHEETS	SHEET NO.
205	(81-2HB-1)M	ROCK ISLAND	29	15
CONTRACT NO. 64H71				
ILLINOIS				