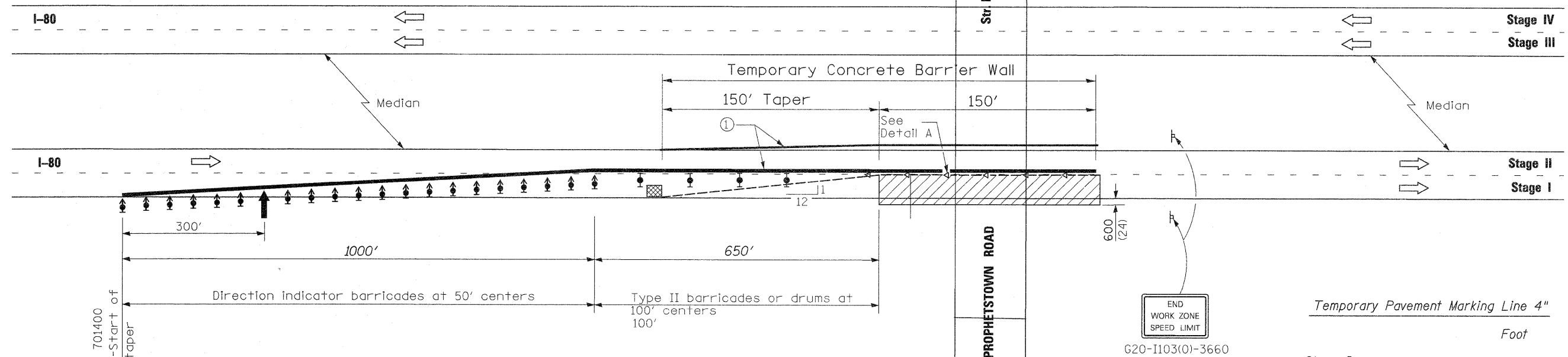


Traffic Control Plan



See Standard 701400 for approach-start of lane closure taper

Pavement Marking Removal

Stage I	100
Stage II	100
Stage III	100
Stage IV	100
Total	400 Sq Ft

Temporary Concrete Barrier

Stage I	300 Feet
Total	300 Feet

Relocate Temporary Concrete Barrier

Stage II	300
Stage III	300
Stage IV	300
Total	900

Impact Attenuators, Temporary

Stage I	1 Each
Total	1 Each

Impact Attenuators, Relocate

Stage II	1
Stage III	1
Stage IV	1
Total	3 Each

Temporary Pavement Marking Line 4"

	Foot
Stage I	2100
Stage II	2100
Stage III	2100
Stage IV	2100
Total	8400 Foot

Workzone Pavement Marking Removal

	Sq Ft
Stage I	700
Stage II	700
Stage III	700
Stage IV	700
Total	2800 Sq Ft

Short-term pavement marking

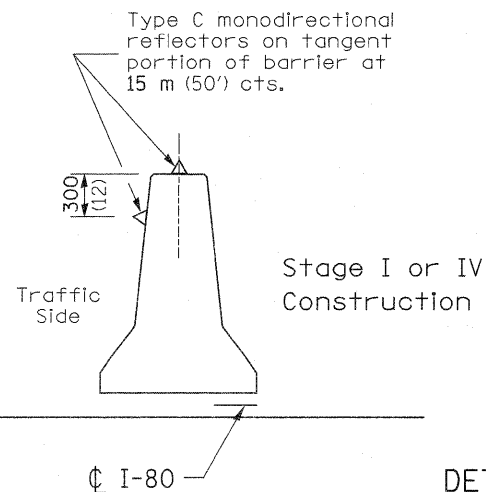
Project	48
Total	48 Feet

SYMBOLS

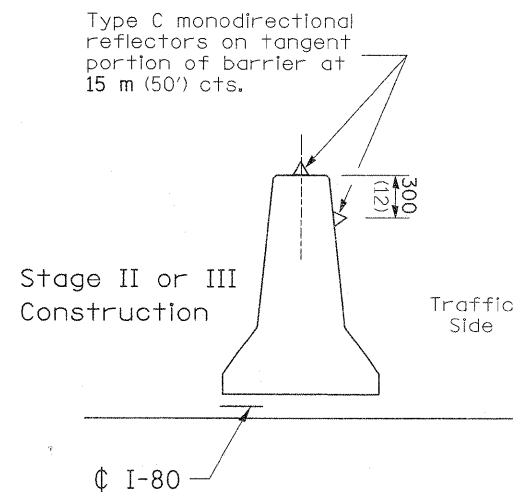
- Arrow board
- Work area
- Sign
- Direction indicator barricade with steady burn monodirectional light
- Type II barricade or drum with steady burn monodirectional light
- Temporary concrete barrier
- Type C Monodirectional reflector
- Impact attenuator

① Temporary pavement marking shall be placed throughout the taper and along-side the work area. The edge line shall be white for right lane closure and yellow for left lane closures.

All dimensions are in millimeters (inches) unless otherwise shown.



DETAIL A
(BARRIER WALL REFLECTORS)



Traffic Control Plan
TR 376 over I-80
Various Routes Section D2 Bridge Painting 2011-2
Various Counties
Structure No. 037-0116