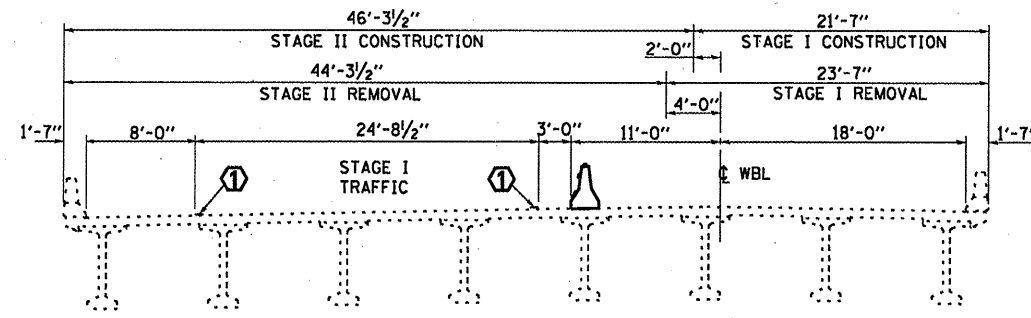
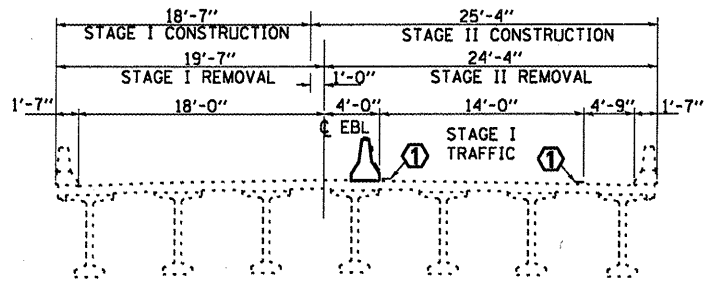


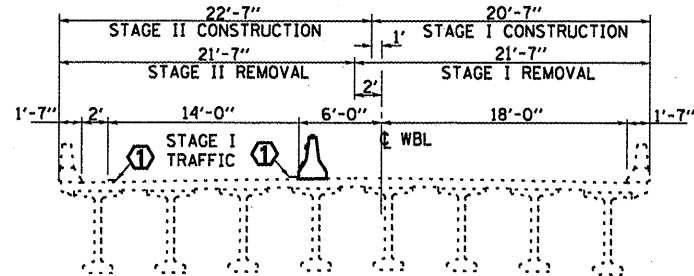
**EASTBOUND STRUCTURE
AT WEST ABUT.
(LOOKING EAST)**



**WESTBOUND STRUCTURE
AT WEST ABUT.
(LOOKING EAST)**



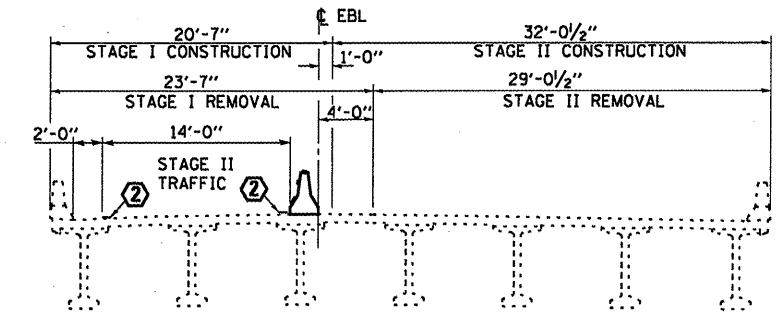
**EASTBOUND STRUCTURE
AT EAST ABUT.
(LOOKING EAST)**



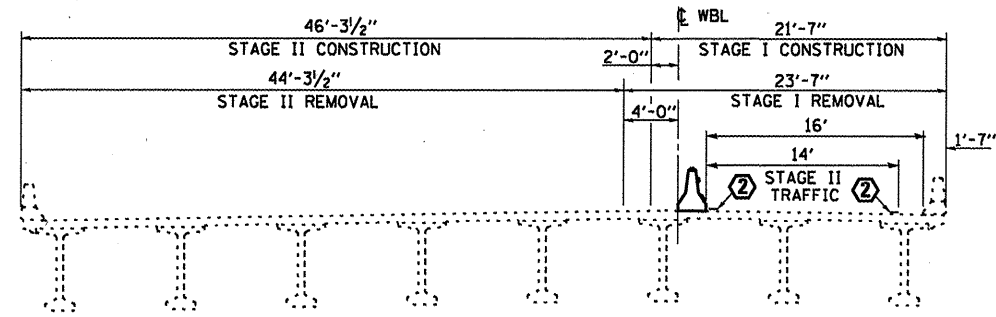
**WESTBOUND STRUCTURE
AT EAST ABUT.
(LOOKING EAST)**

STAGE I

① TEMPORARY PAVEMENT MARKING - STAGE I

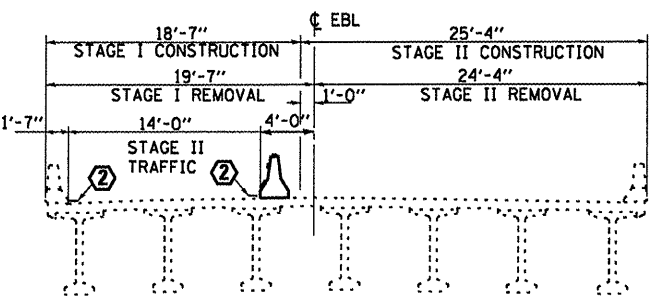


**EASTBOUND STRUCTURE
AT WEST ABUT.
(LOOKING EAST)**

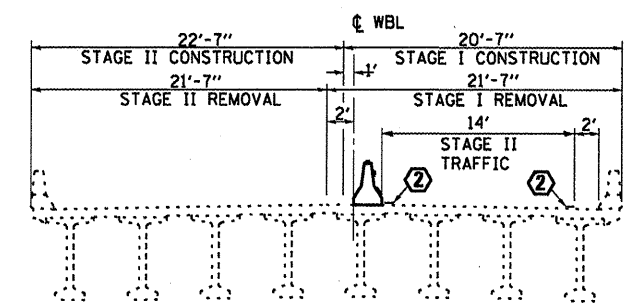


**WESTBOUND STRUCTURE
AT WEST ABUT.
(LOOKING EAST)**

② TEMPORARY PAVEMENT MARKING - STAGE II



**EASTBOUND STRUCTURE
AT EAST ABUT.
(LOOKING EAST)**



**WESTBOUND STRUCTURE
AT EAST ABUT.
(LOOKING EAST)**

STAGE II

FILE NAME =	USER NAME = pateluj	DESIGNED - RON WOODSHANK	REVISED -
c:\pwwork\pwwork\pateluj\d0273391\036889-ahs-details.dgn		DRAWN - RON WOODSHANK	REVISED -
PLOT SCALE = 100:1 @ 1/4" = 1'-0"		CHECKED -	REVISED -
PLOT DATE = 2/16/2012		DATE -	REVISED -

STATE OF ILLINOIS
DEPARTMENT OF TRANSPORTATION

TRAFFIC CONTROL STAGING DETAILS

SCALE: 50 SHEET 1 OF 1 SHEETS STA. _____ TO STA. _____

F.A.I. RTE. 80	SECTION (50-2BR)	COUNTY LASALLE	TOTAL SHEETS 29	SHEET NO. 8
				CONTRACT NO. 66889
ILLINOIS FED. AID PROJECT				