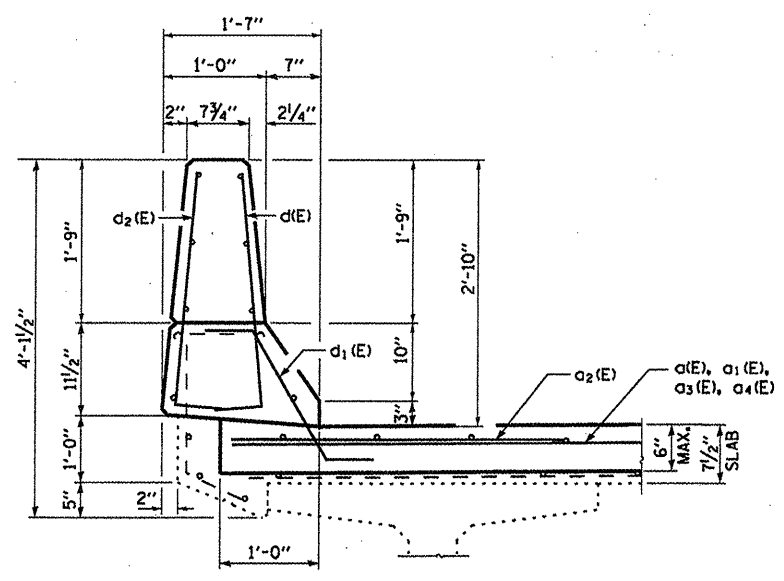
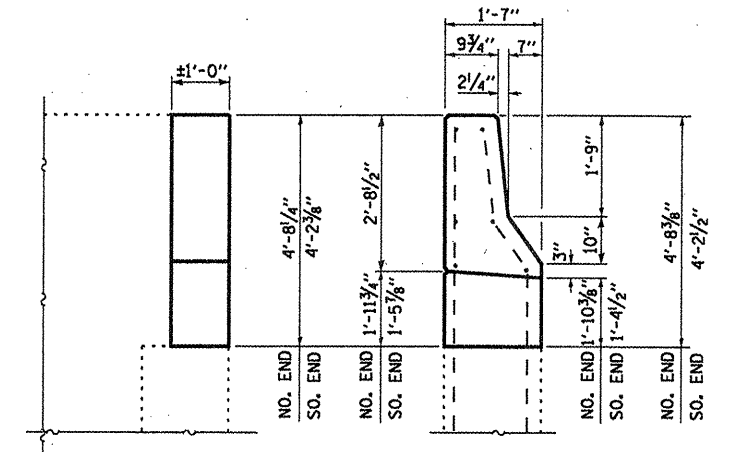


SECTION B-B

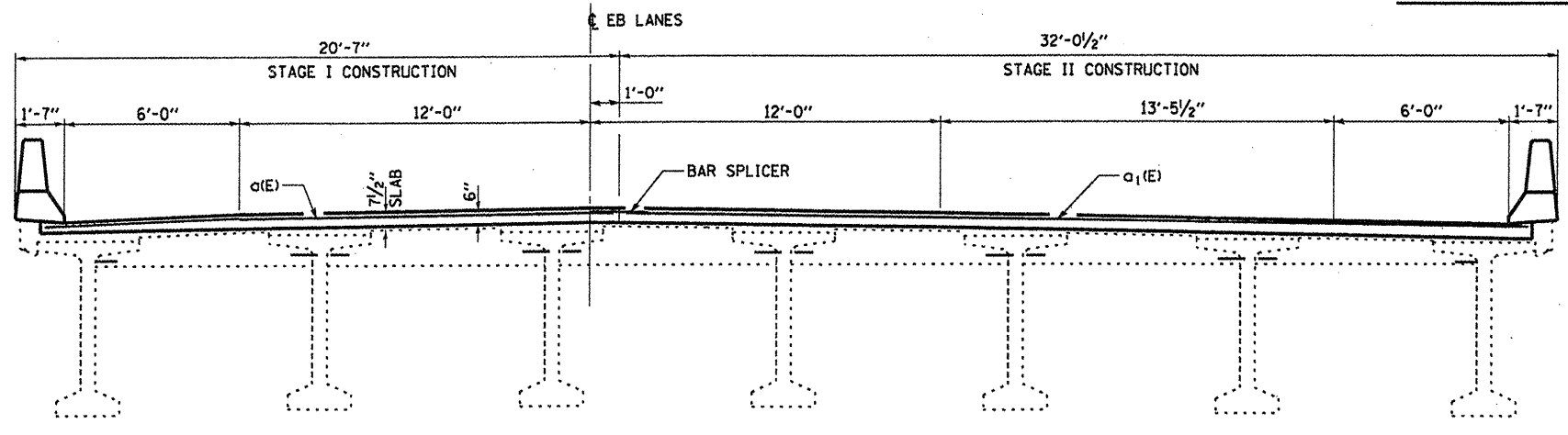


SECTION AT CURB



ELEVATION END ELEVATION

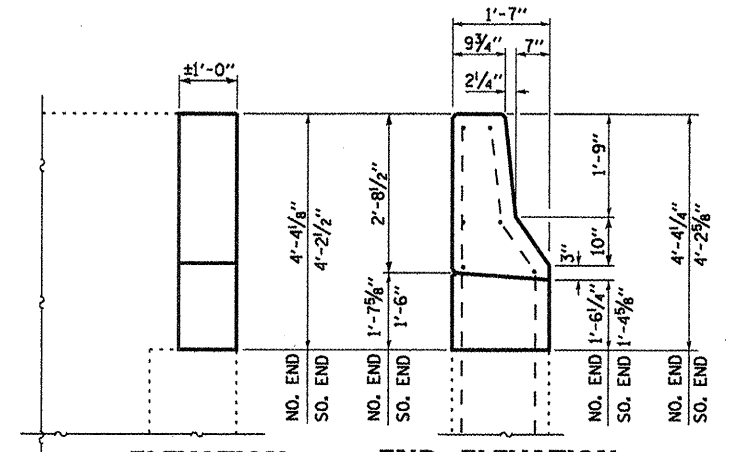
W. ABUT. WINGWALL



CROSS SECTION AT WEST ABUTMENT

LOOKING EAST
MEASUREMENTS ARE AT RIGHT ANGLES TO CL RDWY

BAR LAP
#6 3'-1"
#7 4'-2"

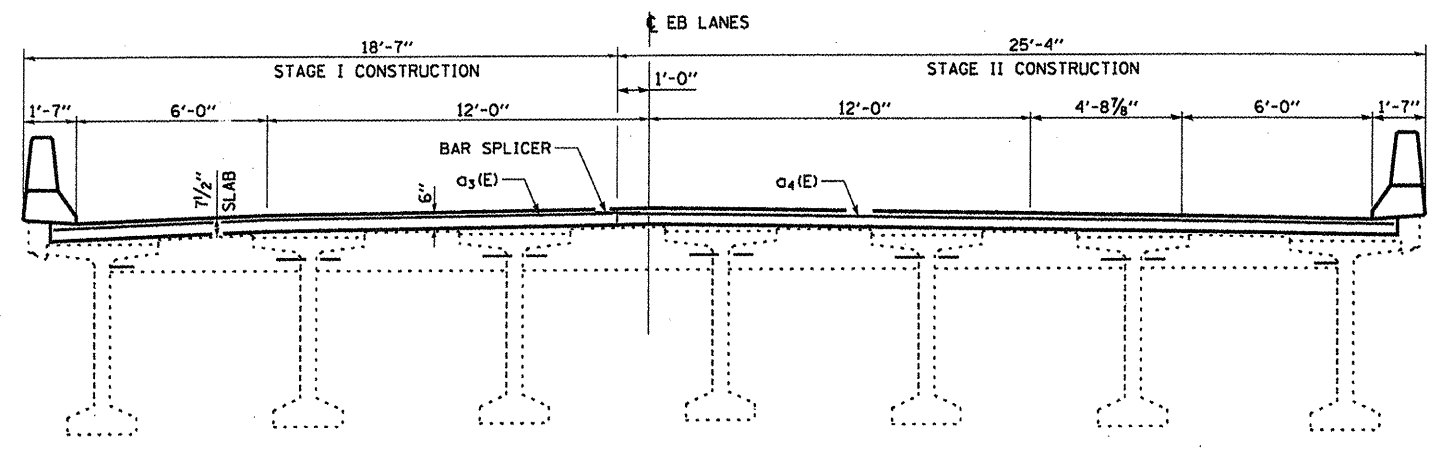


ELEVATION END ELEVATION

E. ABUT. WINGWALL

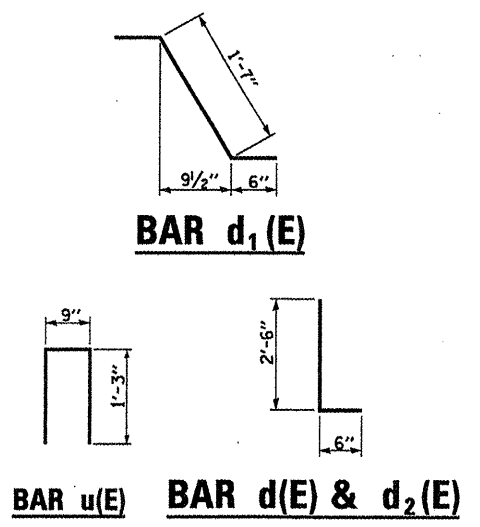
BILL OF MATERIAL FOR EB STRUCTURE

BAR	NO. BARS	SIZE	LENGTH	SHAPE
alpha(E)	2	7	19'-10"	—
alpha1(E)	2	7	31'-4"	—
alpha2(E)	4	6	4'-0"	—
alpha3(E)	2	7	17'-10"	—
alpha4(E)	2	7	24'-8"	—
d(E)	8	5	3'-0"	—
d1(E)	8	5	2'-7"	—
d2(E)	8	4	3'-0"	—
h(E)	4	6	18'-10"	—
h1(E)	4	6	30'-5"	—
h2(E)	4	6	16'-10"	—
h3(E)	4	6	23'-7"	—
u(E)	9	5	3'-3"	—
CONCRETE REMOVAL			CU YD	10.2
CONCRETE SUPERSTRUCTURE			CU YD	10.2
REINFORCEMENT BARS			POUND	1320
EPOXY COATED				



CROSS SECTION AT EAST ABUTMENT

LOOKING EAST
MEASUREMENTS ARE AT RIGHT ANGLES TO CL RDWY



FILE NAME =	USER NAME = pateluj	DESIGNED - RON WOODSHANK	REVISED -
af:\pwork\p\pateluj\02273391\036689-sht-details.dgn		DRAWN - RON WOODSHANK	REVISED -
PLOT SCALE = 1/8" = 1'-0"		CHECKED -	REVISED -
PLOT DATE = 2/16/2012		DATE -	REVISED -

STATE OF ILLINOIS
DEPARTMENT OF TRANSPORTATION

SUPERSTRUCTURE PLAN - CONSTRUCTION
FOR SN 050-0220 (E.B.)
SCALE: SHEET 5 OF 9 SHEETS STA. 669+98.20 TO STA. 674+40.66

F.A.I. RTE. 80	SECTION (50-2BR)1	COUNTY LASALLE	TOTAL SHEETS 29	SHEET NO. 16
			CONTRACT NO. 66889	
ILLINOIS FED. AID PROJECT				