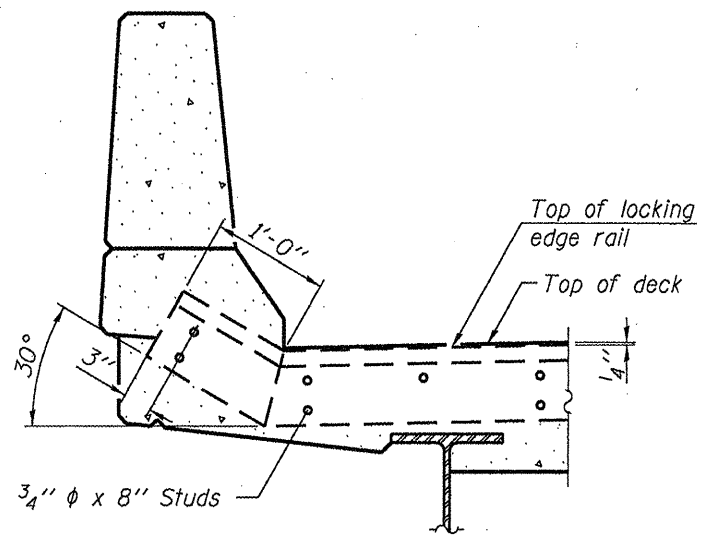


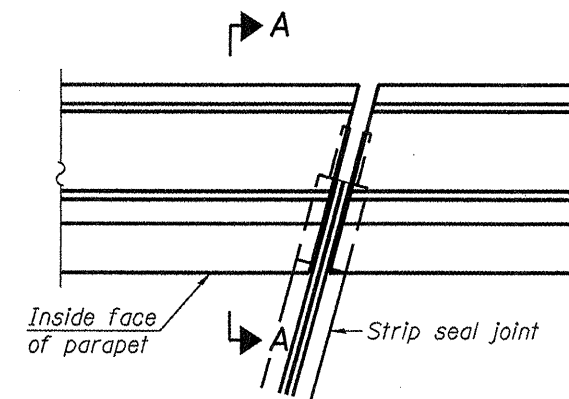
7/16" ϕ holes at 4'-0" cts. for 3/8" ϕ bolts. All bolts shall be burned, sawed, or chipped off flush with the plates after forms are removed, typ.

Place 1/2" ϕ x 6" granular or solid flux filled headed studs conforming to Article 1006.32 of the Std. Specs., automatically end welded at 1'-0" alt. cts.

SECTION THRU STRIP SEAL JOINT FOR OVERLAY OVER DECK BEAMS



SECTION A-A



PLAN
(For skews $\leq 30^\circ$)

Notes:

The strip seal shall be made continuous and shall have a minimum thickness of 1/4". The configuration of the strip seal shall match the configuration of the Locking Edge Rails. Open or "webbed" strip seal gland configurations are not permitted. The gland shall be sized for a maximum rated movement of 4 inches.

The Locking Edge Rails depicted are conceptual only, except for the minimum dimensions shown. The actual configuration of the Locking Edge Rails and matching strip seal may vary from manufacturer to manufacturer. Flanged edge rails will not be allowed. Locking Edge Rails may be spliced at slope discontinuities.

The manufacturer's recommended installation methods shall be followed.

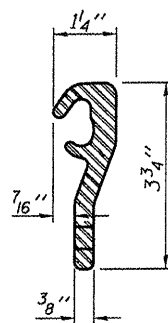
The joint opening and deck dimensions detailed on the superstructure are based on a rolled rail expansion joint. If the Contractor elects to use the welded rail expansion joint, the opening and deck dimensions shall be modified according to the dimensions detailed on this sheet.

Required modifications shall be made at no additional cost to the State.

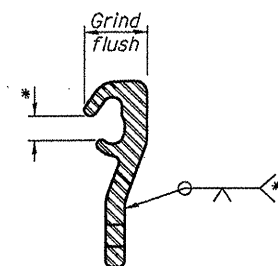
All steel components shall be galvanized after fabrication according to Article 520.03 of the Standard Specifications.

Maximum space between rail segments at stage lines shall be 3/16", sealed with a suitable sealant.

Parapet plates and anchorage studs for skews > 30 degrees included in the cost of Preformed Joint Strip Seal.



LOCKING EDGE RAIL



LOCKING EDGE RAIL SPLICE

STRIP SEAL EXPANSION JOINT AT WEST ABUTMENT

BILL OF MATERIAL WEST ABUTMENT

Item	Unit	Total
Preformed Joint Strip Seal	Foot	52

BILL OF MATERIAL EAST ABUTMENT

Item	Unit	Total
Preformed Joint Strip Seal	Foot	43

FILE NAME =	USER NAME = pataj	DESIGNED - RON WOODSHANK	REVISED -
cr\pwork\p\pataj\02273391\036699-shs-details.dgn		DRAWN - RON WOODSHANK	REVISED -
	PLOT SCALE = 1/8" @ 1" = 1'	CHECKED -	REVISED -
	PLOT DATE = 2/16/2012	DATE -	REVISED -

STATE OF ILLINOIS
DEPARTMENT OF TRANSPORTATION

STRIP SEAL EXPANSION JOINT DETAILS
FOR SN 050-0220 (E.B.)

SCALE: SHEET 7 OF 9 SHEETS STA. 669+98.20 TO STA. 674+40.66

F.A.I. RTE. 80	SECTION (50-2BR)	COUNTY LASALLE	TOTAL SHEETS 29	SHEET NO. 18
CONTRACT NO. 66889				ILLINOIS FED. AID PROJECT