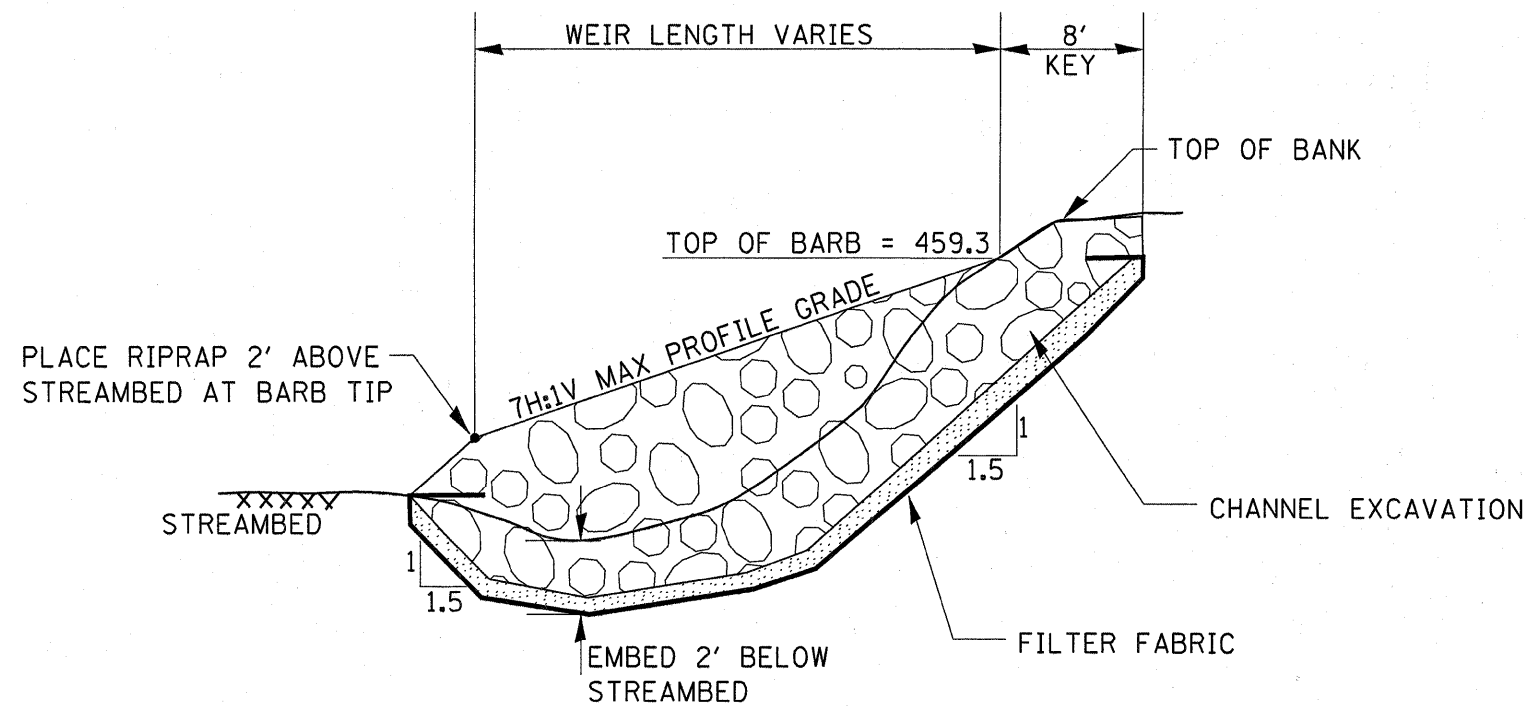


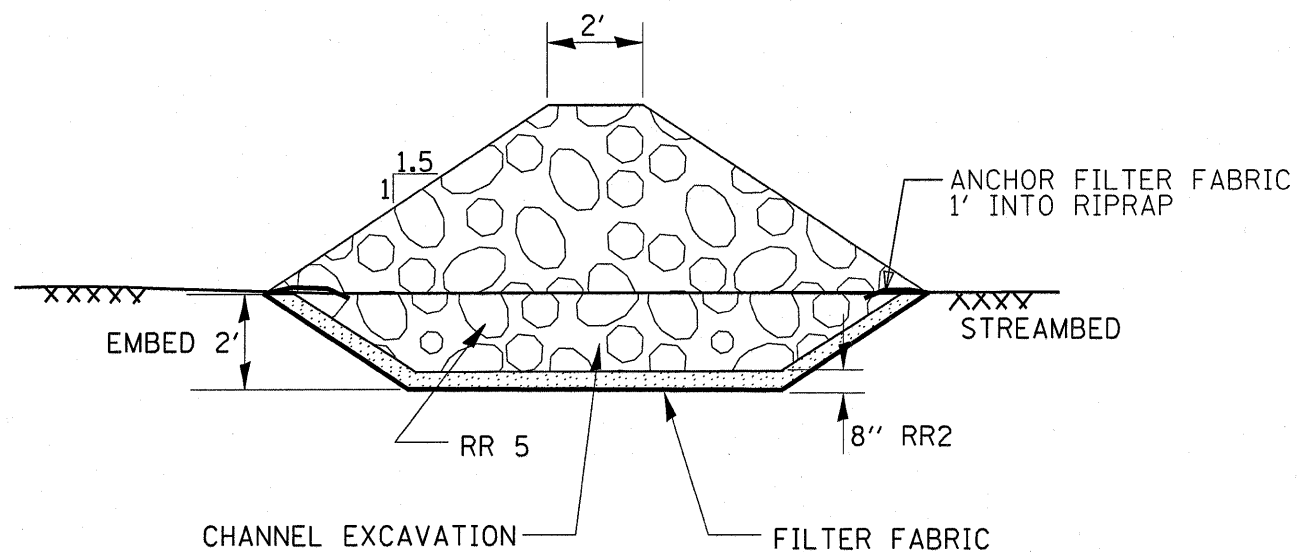
PLAN VIEW



ELEVATION VIEW

NOTE: ALL FILTER FABRIC THROUGHOUT JOB LIMITS SHALL HAVE THE FOLLOWING CHARACTERISTICS:

1. AN APPARENT OPENING SIZE (AOS) < 0.3 mm
2. PERMEABILITY > 1.5 GAL/MIN/SQ FT



FRONT VIEW

STREAM BARB LOCATION TABLE										
BARB	LENGTH	PROFILE	BANK ANGLE	LAYOUT PT 1		LAYOUT PT 2		LAYOUT PT 3		
				NORTHING	EASTING	NORTHING	EASTING	NORTHING	EASTING	
	FT	-H:1V	DEGREES							
1	54.0	7.0	25	1680841.16	2511927.01	1680844.71	2511919.84	1680896.81	2511934.03	
2	56.0	7.0	25	1680916.87	2511966.66	1680917.24	2511958.67	1680968.82	2511936.87	
3	56.0	7.0	25	1680999.84	2511973.81	1681000.11	2511965.79	1681049.53	2511939.67	
4	52.0	12.0	25	1681089.76	2511969.55	1681089.81	2511961.41	1681137.50	2511940.11	
5	45.0	18.0	30	1681171.91	2511942.48	1681168.51	2511935.25	1681191.16	2511896.37	
BARB	LENGTH	PROFILE	BANK ANGLE	LAYOUT PT 1		LAYOUT PT 2		LAYOUT PT 3		STONE RIPRAP CL A5
	FT	-H:1V	DEGREES	STATION	OFFSET	STATION	OFFSET	STATION	OFFSET	TON
1	54.0	7.0	25	417+17.25	35.77	417+15.33	43.54	417+64.48	66.23	155
2	56.0	7.0	25	418+00.93	54.08	417+96.08	60.46	418+21.82	110.25	165
3	56.0	7.0	25	418+69.59	101.72	418+64.46	108.20	418+86.20	159.74	180
4	52.0	12.0	25	419+36.64	162.32	419+31.42	168.47	419+55.06	215.27	115
5	45.0	18.0	30	419+83.48	235.3	419+76.17	238.73	419+68.93	283.16	75

INTERSECTION TISKIWA RD. & IL 29
 N 1680457.71 2511650.40 E
 (SEE TIE POINT DETAIL)