

04-27-12 LETTING ITEM 166

INDEX OF SHEETS

- 1 COVER SHEET
- 2 GENERAL NOTES, STANDARDS, SUMMARY OF QUANTITIES, SIGNATURE SHEET
- 3 STREAM BARB PLAN SHEET
- 4 EROSION CONTROL PLAN
- 5 RIGHT-OF-WAY SHEET
- 6 STREAM BARB DETAILS AND LOCATION SHEET
- 7 RIPRAP REVETMENT DETAIL SHEET
- 8-10 CROSS SECTIONS

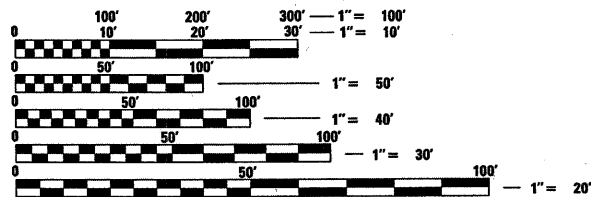
STATE OF ILLINOIS
DEPARTMENT OF TRANSPORTATION
DIVISION OF HIGHWAYS
**PROPOSED
HIGHWAY PLANS**

FAS ROUTE 2245 (IL 29)
SECTION (22)I

STREAMBANK STABILIZATION
BUREAU COUNTY

C-93-122-11

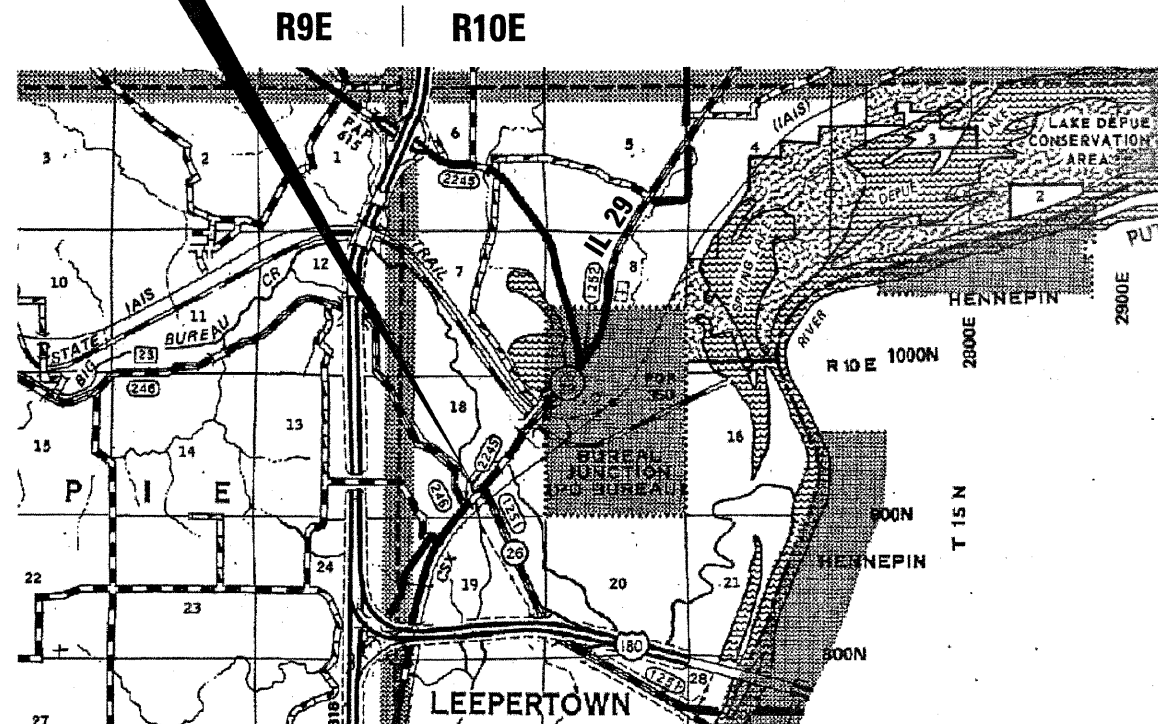
**S.N. 006-0084 INSTALLATION
OF STREAM BARBS FOR BANK
STABILIZATION AT BIG BUREAU
CREEK**



FULL SIZE PLANS HAVE BEEN PREPARED USING STANDARD ENGINEERING SCALES. REDUCED SIZED PLANS WILL NOT CONFORM TO STANDARD SCALES. IN MAKING MEASUREMENTS ON REDUCED PLANS, THE ABOVE SCALES MAY BE USED.

J.U.L.I.E.
JOINT UTILITY LOCATION INFORMATION FOR EXCAVATION
1-800-892-0123
OR 811

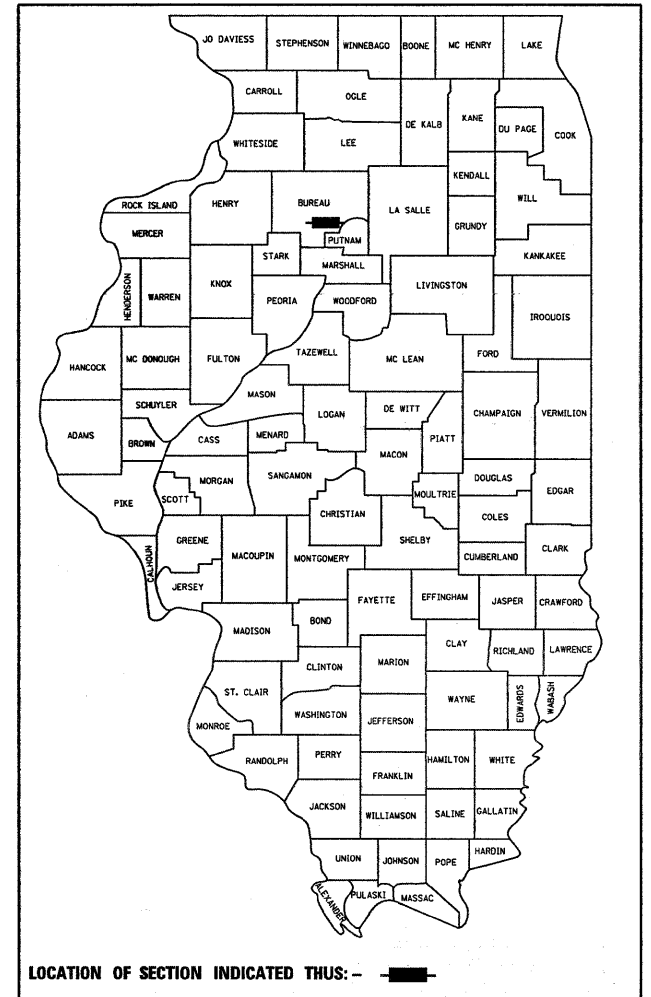
DISTRICT 3 NO. (815) 434-6131
PROJECT ENGINEER STEVE FERGUSON
UNIT CHIEF SCOTT A. FERGUSON
TOWNSHIPS: LEEPERTOWN



GROSS & NET LENGTH = SPOT TYPE IMPROVEMENT

F.A.S. RTE.	SECTION	COUNTY	TOTAL SHEETS	SHEET NO.
2245	(22)I	BUREAU	10	1
		ILLINOIS	CONTRACT NO. 66A65	

D93-083-11
P93-011-11



**ADT 800 YEAR 2009
PV 700 MU 50 SU 50
FUNCTIONAL CLASSIFICATION: RURAL MAJOR COLLECTOR**

STATE OF ILLINOIS
DEPARTMENT OF TRANSPORTATION
DIVISION OF HIGHWAYS

SUBMITTED February 27 20 12
Eric S. Therkildsen
DEPUTY DIRECTOR OF HIGHWAYS, REGION ENGINEER

March 23 20 12
John D. Bazzanelli, P.E. /a
acting ENGINEER OF DESIGN AND ENVIRONMENT

March 23 20 12
William R. Freeman /a
acting DIRECTOR OF HIGHWAYS, CHIEF ENGINEER

**PRINTED BY THE AUTHORITY
OF THE STATE OF ILLINOIS**

GENERAL NOTES

EXCEPT AS NOTED ON THE PLANS, PAVEMENT GRADES SHOWN ARE AT THE TOP OF PAVEMENT SURFACES.

SEEDING SHALL NOT BE PERMITTED AT ANY TIME WHEN THE GROUND IS FROZEN, WET, OR IN AN UNTILLABLE CONDITION. LOCATIONS TO BE SEEDDED WILL BE DETERMINED BY THE ENGINEER.

ONLY THOSE TREES DESIGNATED BY THE ENGINEER OR LISTED IN THE TREE REMOVAL SCHEDULE SHALL BE REMOVED. THE CONTRACTOR SHALL PROTECT ALL REMAINING TREES FROM DAMAGE DUE TO HIS OPERATIONS.

ALL ELEVATIONS REFERRING TO U.S.G.S. MEAN SEA LEVEL DATUM.

ANY REFERENCE TO A STANDARD IN THESE PLANS SHALL BE INTERPRETED TO MEAN THE EDITION AS INDICATED BY THE SUBNUMBER SHOWN IN THE LIST OF STANDARDS OR THE COPY INCLUDED IN THESE PLANS.

THE CONTRACTOR'S ATTENTION IS DIRECTED TO THE PRESENCE OF DEPARTMENT-OWNED UNDERGROUND ELECTRICAL CABLE WITHIN THE LIMITS OF THE PROPOSED IMPROVEMENT. THE CONTRACTOR SHALL REQUEST THE ILLINOIS DEPARTMENT OF TRANSPORTATION IN OTTAWA (815-434-8417) TO LOCATE THE UNDERGROUND FACILITIES, PROVIDING A MINIMUM OF 72 HOURS NOTICE. THE DEPARTMENT IS NOT A MEMBER OF THE JOINT UTILITY LOCATING INFORMATION FOR EXCAVATORS (JULIE) SYSTEM.

ALL DAMAGE TO DEPARTMENT OWNED UNDERGROUND FACILITIES, CAUSED BY THE CONTRACTOR SHALL BE REPAIRED TO THE SATISFACTION OF THE DEPARTMENT AT THE CONTRACTOR'S EXPENSE. THIS SHALL INCLUDE ALL TEMPORARY REPAIRS REQUIRED TO KEEP THE FACILITY OPERATIONAL WHILE MATERIAL IS BEING OBTAINED TO MAKE PERMANENT REPAIRS. SPLICING OF ELECTRIC CABLE SHALL NOT BE ALLOWED. ELECTRIC CABLE SHALL BE REPLACED FROM POLE TO POLE OR CONTROLLER.

MEMBERS OF JULIE KNOWN TO BE WITHIN THE LIMITS OF THE IMPROVEMENT ARE:

CORN BELT ENERGY

FRONTIER COMMUNICATIONS

AMEREN

THE CONTRACTOR SHALL CONTACT JULIE AT LEAST 48 HOURS PRIOR TO EXCAVATION TO DETERMINE WHICH UTILITIES ARE IN THE AREA.

DESIGN BASED ON SURVEY PERFORMED DECEMBER 27TH, 2010 THROUGH JANUARY 13TH, 2011

SUMMARY OF QUANTITIES			100% STATE CONSTR. CODE
CODE NO.	ITEM	UNIT	OTHER 0044 RURAL
20100110	TREE REMOVAL (6 TO 15 UNITS DIAMETER)	UNIT	30
20300100	CHANNEL EXCAVATION	CU YD	475
25000200	SEEDING, CLASS 2	ACRE	0.36
25000400	NITROGEN FERTILIZER NUTRIENT	POUND	33
25000500	PHOSPHORUS FERTILIZER NUTRIENT	POUND	33
25000600	POTASSIUM FERTILIZER NUTRIENT	POUND	33
25100115	MULCH, METHOD 2	ACRE	0.36
28000250	TEMPORARY EROSION CONTROL SEEDING	POUND	144
28000400	PERIMETER EROSION BARRIER	FOOT	250
28100209	STONE RIPRAP, CLASS A5	TON	1400
28200200	FILTER FABRIC	SQ YD	1377
59300100	CONTROLLED LOW-STRENGTH MATERIAL	CU YD	15
67100100	MOBILIZATION	L SUM	1
70100450	TRAFFIC CONTROL AND PROTECTION, STANDARD 701201	L SUM	1
XX005968	TURBIDITY CURTAIN	SQ YD	125

STANDARDS

000001-06	STANDARD SYMBOLS, ABBREVIATIONS AND PATTERNS
001006	DECIMAL OF AN INCH AND OF A FOOT
280001-06	TEMPORARY EROSION CONTROL SYSTEMS
666001-01	RIGHT-OF-WAY MARKERS
701001-02	OFF-ROAD OPERATIONS 2L, 2W, MORE THAN 15' (4.5 m) AWAY
701006-03	OFF-ROAD OPERATIONS 2L, 2W, 15' (4.5 m) TO 24" (600 mm) FROM PAVEMENT EDGE
701301-04	LANE CLOSURE, 2L, 2W, SHORT TIME OPERATIONS
701901-02	TRAFFIC CONTROL DEVICES

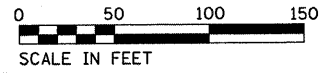
STATE OF ILLINOIS
DEPARTMENT OF TRANSPORTATION
DISTRICT THREE

PREPARED BY: Tom Bannick
DISTRICT STUDIES & PLANS ENGINEER

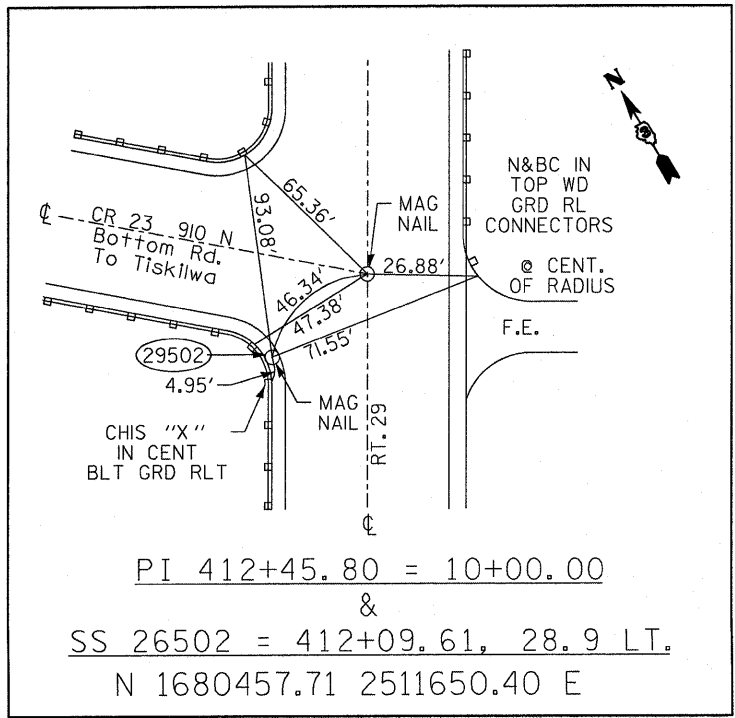
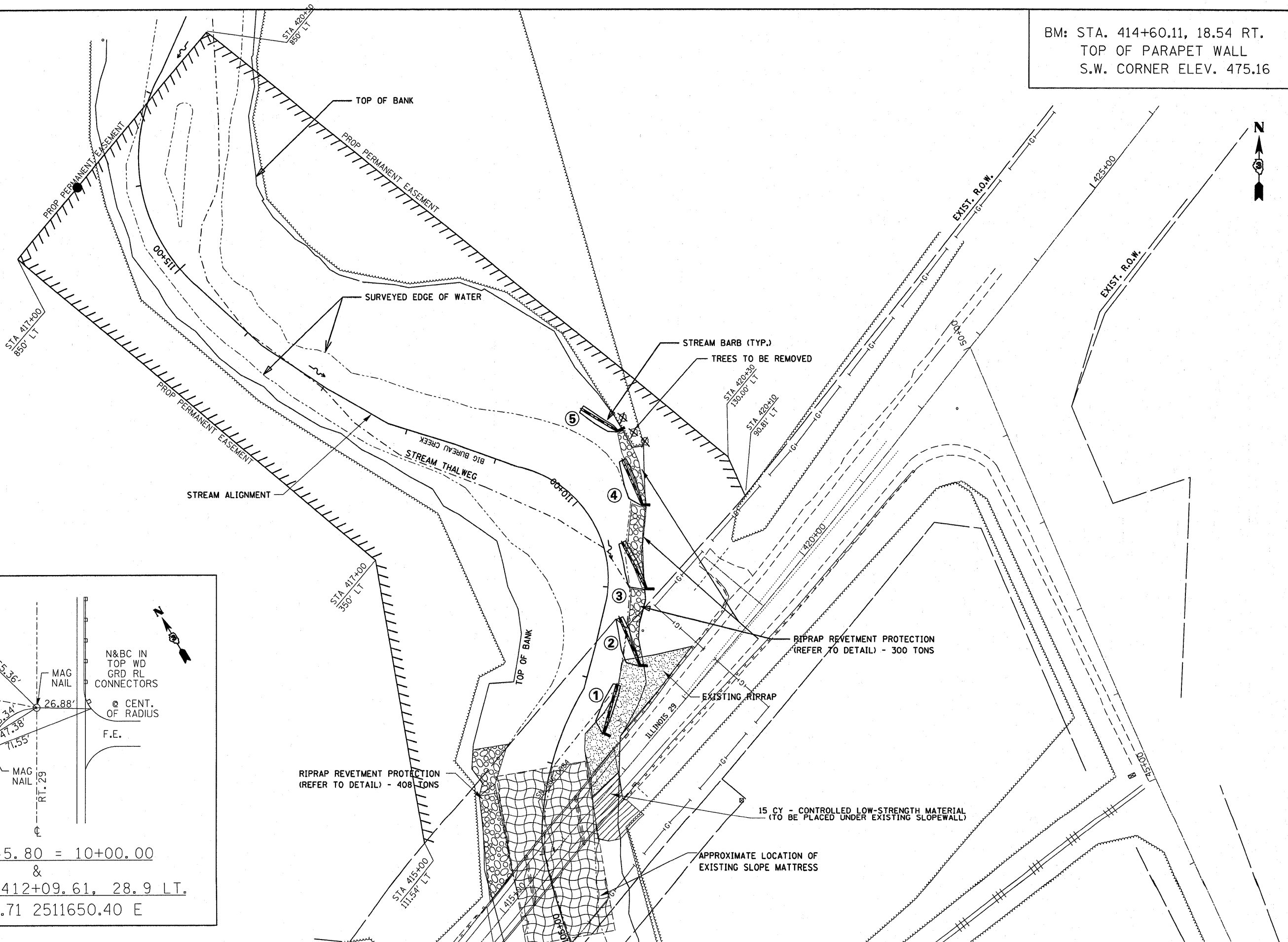
DATE: 1-19-12

EXAMINED BY: Herbert K. Dong
DISTRICT CONSTRUCTION ENGINEER

Steve J. Smith
DISTRICT MATERIALS ENGINEER
Bruce A. Fisher
DISTRICT OPERATIONS ENGINEER



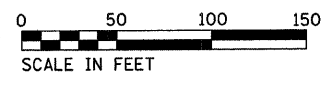
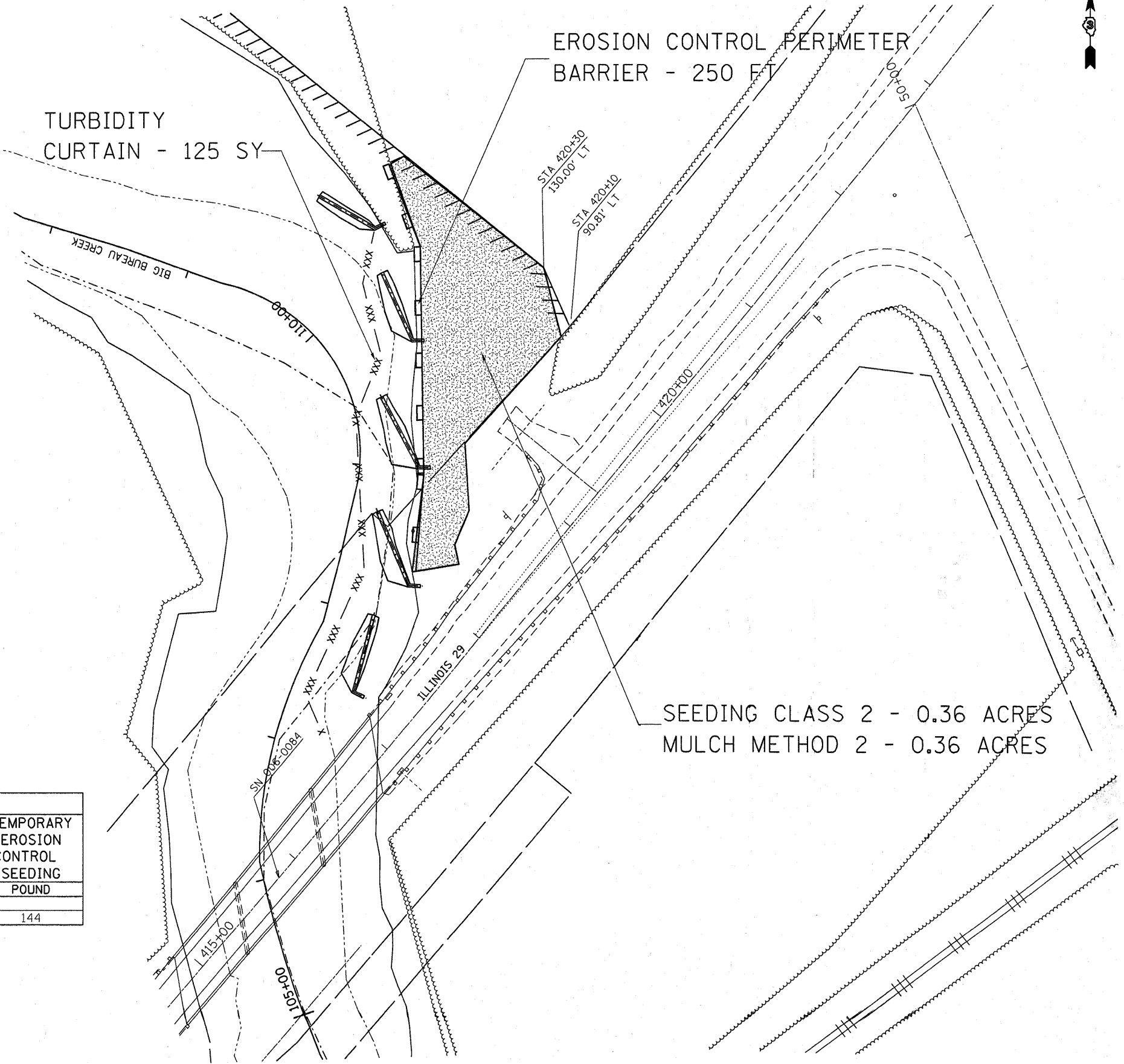
BM: STA. 414+60.11, 18.54 RT.
TOP OF PARAPET WALL
S.W. CORNER ELEV. 475.16



FILE NAME =	USER NAME = fergusonse	DESIGNED -	REVISED -	STATE OF ILLINOIS DEPARTMENT OF TRANSPORTATION	STREAM BARB PLAN VIEW				F.A.S. RTE.	SECTION	COUNTY	TOTAL SHEETS	SHEET NO.
c:\pwork\pwork\dot\fergusonse\d0234185\B\bs-Plan.dgn		DRAWN -	REVISED -		2245	(22)1		10	3				
PLOT SCALE = 50.0000' / 1"		CHECKED -	REVISED -		CONTRACT NO. 66A65								
PLOT DATE = 3/8/2012		DATE -	REVISED -		ILLINOIS FED. AID PROJECT								
				SCALE:	SHEET	OF	SHEETS	STA.	TO	STA.			

EROSION AND SEDIMENT CONTROL NOTES

1. PLACE PERIMETER EROSION CONTROL BARRIER PRIOR TO ANY EARTH DISTURBING OR GRADING ACTIVITIES.
2. PLACE THE TURBIDITY CURTAIN IN BIG BUREAU CREEK PRIOR TO ANY EARTH DISTURBING OR GRADING ACTIVITIES IN THE VICINITY OF THE CREEK.
3. THE CONTRACTOR MUST TAKE MEASURES TO MINIMIZE SOIL TRACKED ONTO PUBLIC AND PRIVATE ROADS. ANY SEDIMENT REACHING A PUBLIC OR PRIVATE ROAD SHALL BE REMOVED BY SHOVELLING OR STREET CLEANING (NOT FLUSHING) BEFORE THE END OF EACH WORK DAY AND TRASNFERED TO A CONTROLLED SEDIMENT DISPOSAL AREA.
4. TEMPORARY SEED ANY BARE EARTH OR DISTURBED AREAS EVERY 7 DAYS (CRITICAL LOCATIONS WITHIN 48 HOURS) IN ACCORDANCE WITH ARTICLE 280.04 OF THE STANDARD SPECIFICATIONS.



EROSION CONTROL AND LANDSCAPING SCHEDULE							
TURBIDITY CURTAIN	EROSION CONTROL PERIMETER BARRIER	SEEDING CLASS 2	MULCH METHOD 2	NITROGEN FERTILIZER NUTRIENT	PHOSPHORUS FERTILIZER NUTRIENT	POTASSIUM FERTILIZER NUTRIENT	TEMPORARY EROSION CONTROL SEEDING
SY	FOOT	ACRE	ACRE	POUND	POUND	POUND	POUND
110	250	0.36	0.36	33	33	33	144

- NOTE: TEMPORARY SEEDING QUANTITY INCLUDED FOR 4 APPLICATIONS
- SEE SPECIAL PROVISIONS FOR INSTALLATION OF TURBIDITY CURTAIN

SW 1/4 OF SECTION 18, T. 15 N., R. 10 E., 4TH. P.M.

412+37.90 0.91 LT. =
JOB NO. R-92-003-00
5+238.167 METRIC =
412+42.00 ENGLISH

NOTE: CENTERLINE DETAIL IS FOR THE PURPOSE OF CONVERTING
RIGHT OF WAY JOB NO. R-92-003-00 STATIONING TO CURRENT JOB
STATIONING BETWEEN C.R. 23 AND ILL. RTE. 126 SOUTH.

CENTERLINE JOB NO. R-92-003-00 N.40°06'45"E.

CENTERLINE JOB NO. R-93-007-11 N. 40°08'40"E.

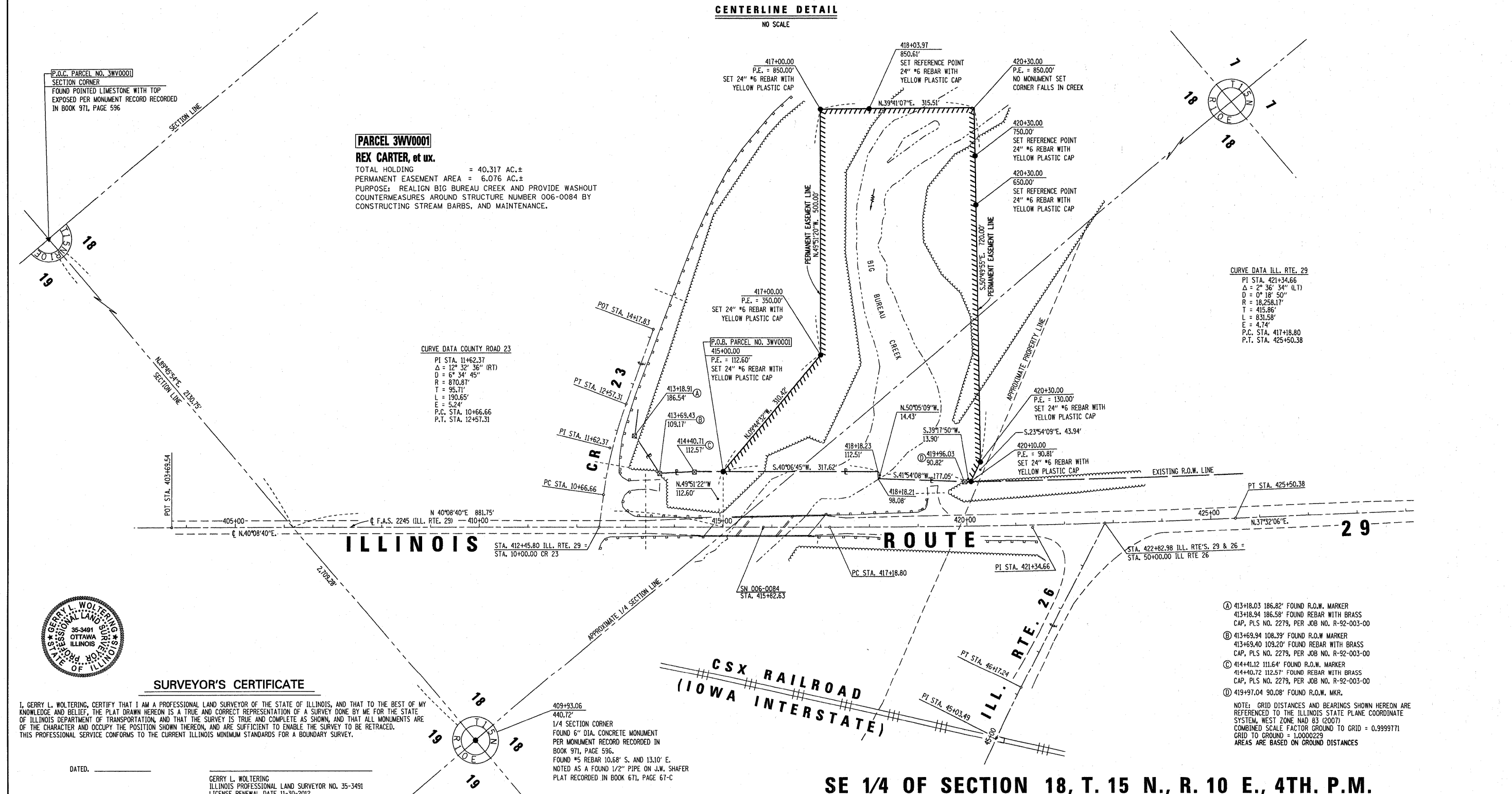
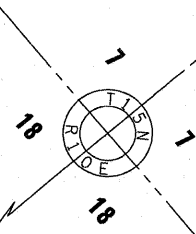
CENTERLINE DETAIL
NO SCALE

PARCEL 3WV0001
REX CARTER, et ux.
TOTAL HOLDING = 40.317 AC.±
PERMANENT EASEMENT AREA = 6.076 AC.±
PURPOSE: REALIGN BIG BUREAU CREEK AND PROVIDE WASHOUT
COUNTERMEASURES AROUND STRUCTURE NUMBER 006-0084 BY
CONSTRUCTING STREAM BARBS, AND MAINTENANCE.

CURVE DATA COUNTY ROAD 23
PI STA. 11+62.37
Δ = 12° 32' 36" (RT)
D = 67° 34' 45"
R = 870.87'
T = 95.71'
L = 190.65'
E = 5.24'
P.C. STA. 10+66.66
P.T. STA. 12+57.31

CURVE DATA ILL. RTE. 29
PI STA. 421+34.66
Δ = 2° 36' 34" (LT)
D = 0° 18' 50"
R = 18,258.17'
T = 415.86'
L = 831.58'
E = 4.74'
P.C. STA. 417+18.80
P.T. STA. 425+50.38

P.O.C. PARCEL NO. 3WV0001
SECTION CORNER
FOUND POINTED LIMESTONE WITH TOP
EXPOSED PER MONUMENT RECORD RECORDED
IN BOOK 971, PAGE 596



SURVEYOR'S CERTIFICATE

I, GERRY L. WOLTERING, CERTIFY THAT I AM A PROFESSIONAL LAND SURVEYOR OF THE STATE OF ILLINOIS, AND THAT TO THE BEST OF MY KNOWLEDGE AND BELIEF, THE PLAT DRAWN HEREON IS A TRUE AND CORRECT REPRESENTATION OF A SURVEY DONE BY ME FOR THE STATE OF ILLINOIS DEPARTMENT OF TRANSPORTATION, AND THAT THE SURVEY IS TRUE AND COMPLETE AS SHOWN, AND THAT ALL MONUMENTS ARE OF THE CHARACTER AND OCCUPY THE POSITION SHOWN THEREON, AND ARE SUFFICIENT TO ENABLE THE SURVEY TO BE RETRACED. THIS PROFESSIONAL SERVICE CONFORMS TO THE CURRENT ILLINOIS MINIMUM STANDARDS FOR A BOUNDARY SURVEY.

DATED: _____
GERRY L. WOLTERING
ILLINOIS PROFESSIONAL LAND SURVEYOR NO. 35-3481
LICENSE RENEWAL DATE 11-30-2012

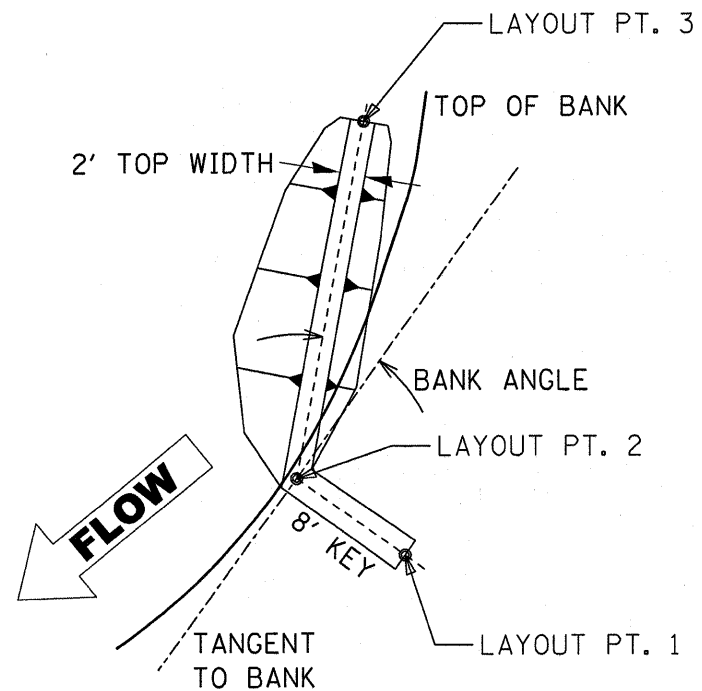
409+93.06
440.72'
1/4 SECTION CORNER
FOUND 6" DIA. CONCRETE MONUMENT
PER MONUMENT RECORD RECORDED IN
BOOK 971, PAGE 596.
FOUND #5 REBAR 10.68' S. AND 13.10' E.
NOTED AS A FOUND 1/2" PIPE ON J.W. SHAFER
PLAT RECORDED IN BOOK 671, PAGE 67-C

- Ⓐ 413+18.03 186.82' FOUND R.O.W. MARKER
413+18.94 186.58' FOUND REBAR WITH BRASS
CAP, PLS NO. 2279, PER JOB NO. R-92-003-00
- Ⓑ 413+69.94 109.39' FOUND R.O.W. MARKER
413+69.40 109.20' FOUND REBAR WITH BRASS
CAP, PLS NO. 2279, PER JOB NO. R-92-003-00
- Ⓒ 414+41.12 111.64' FOUND R.O.W. MARKER
414+40.72 112.57' FOUND REBAR WITH BRASS
CAP, PLS NO. 2279, PER JOB NO. R-92-003-00
- Ⓓ 419+97.04 90.08' FOUND R.O.W. MKR.

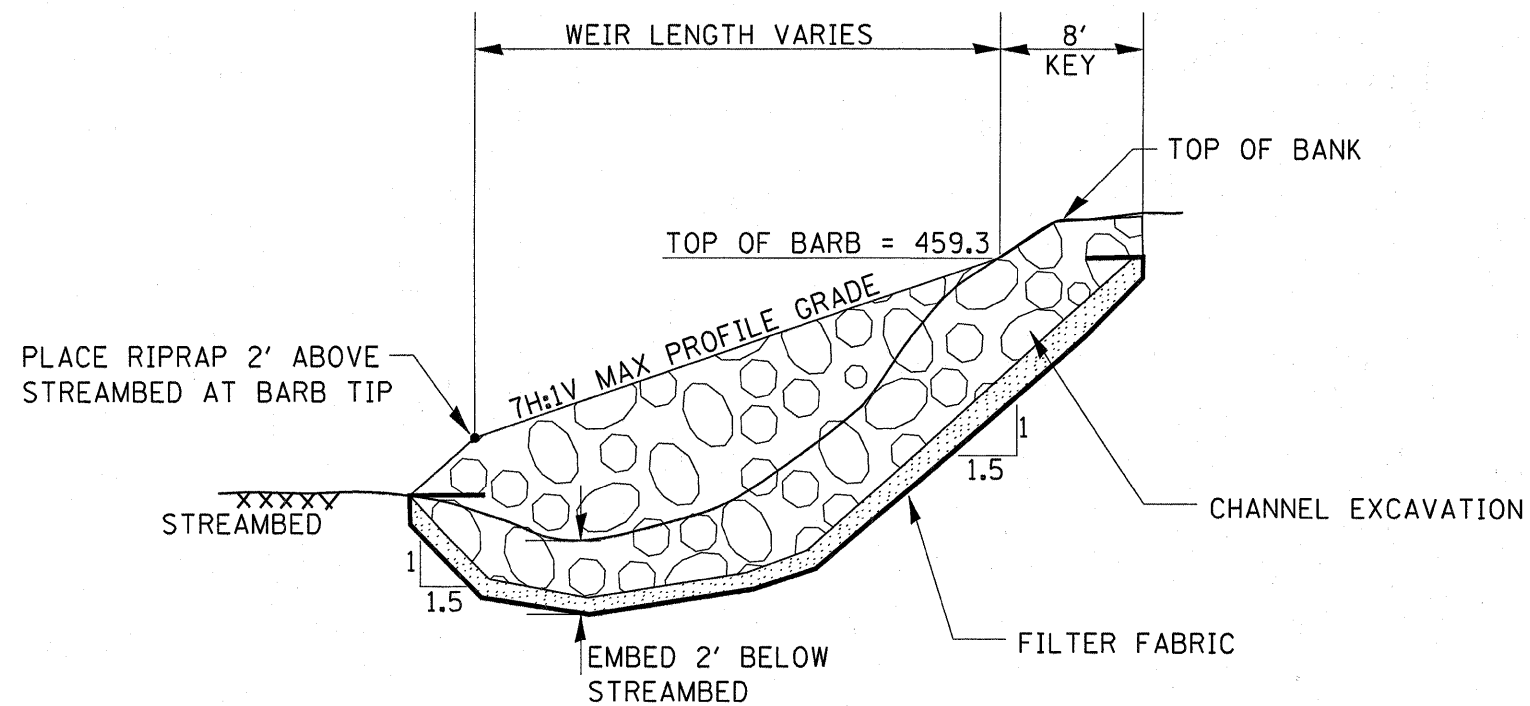
NOTE: GRID DISTANCES AND BEARINGS SHOWN HEREON ARE
REFERENCED TO THE ILLINOIS STATE PLANE COORDINATE
SYSTEM, WEST ZONE NAD 83 (2007)
COMBINED SCALE FACTOR GROUND TO GRID = 0.9999771
GRID TO GROUND = 1.0000229
AREAS ARE BASED ON GROUND DISTANCES

SE 1/4 OF SECTION 18, T. 15 N., R. 10 E., 4TH. P.M.

FILE NAME: c:\pwork\p\pidot\ferguson\40234185\066A65-shr-RIGHT OF WAY PLAN.dgn	USER NAME = ferguson	DESIGNED -	REVISED -	STATE OF ILLINOIS DEPARTMENT OF TRANSPORTATION	RIGHT OF WAY PLANS		F.A.S. RTE. 2245	SECTION (22)I	COUNTY BUREAU	TOTAL SHEETS 10	SHEET NO. 5	
PLOT SCALE = 100.0000' / 1"	PLOT DATE = 3/8/2012	DRAWN -	REVISED -		PROJECT	JOB NO. R93-007-11	CONTRACT NO. 66A65					
		CHECKED -	REVISED -		SCALE: 1" = 100'	SHEET NO. 1 OF 1 SHEETS	STA. 415+00 TO STA. 420+30					
		DATE -	REVISED -		FED. ROAD DIST. NO. ILLINOIS FED. AID PROJECT							



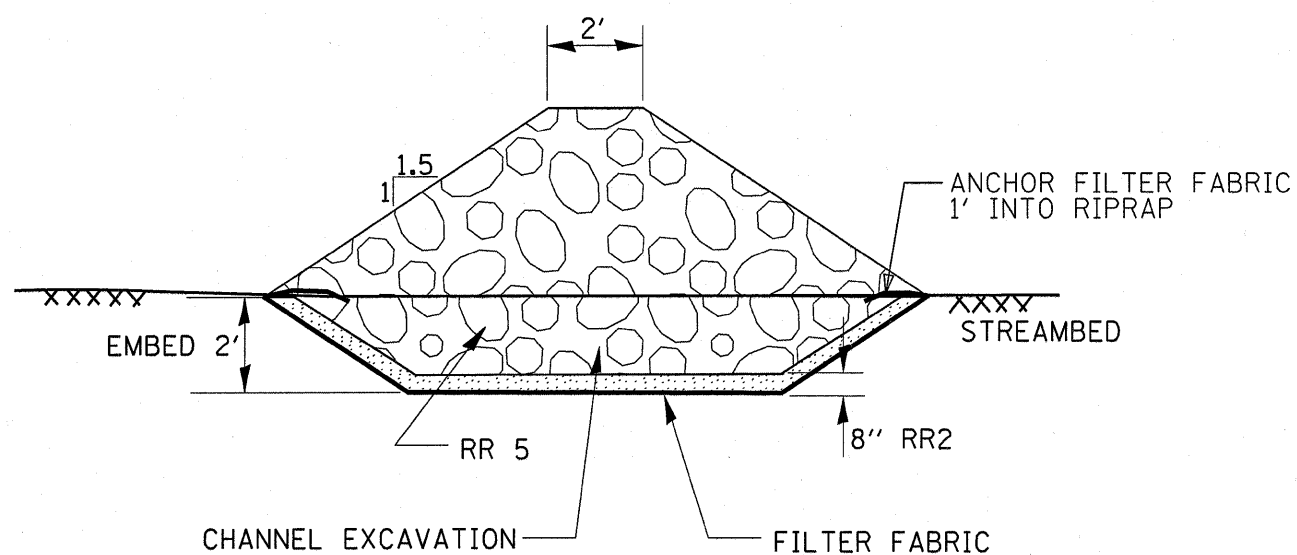
PLAN VIEW



ELEVATION VIEW

NOTE: ALL FILTER FABRIC THROUGHOUT JOB LIMITS SHALL HAVE THE FOLLOWING CHARACTERISTICS:

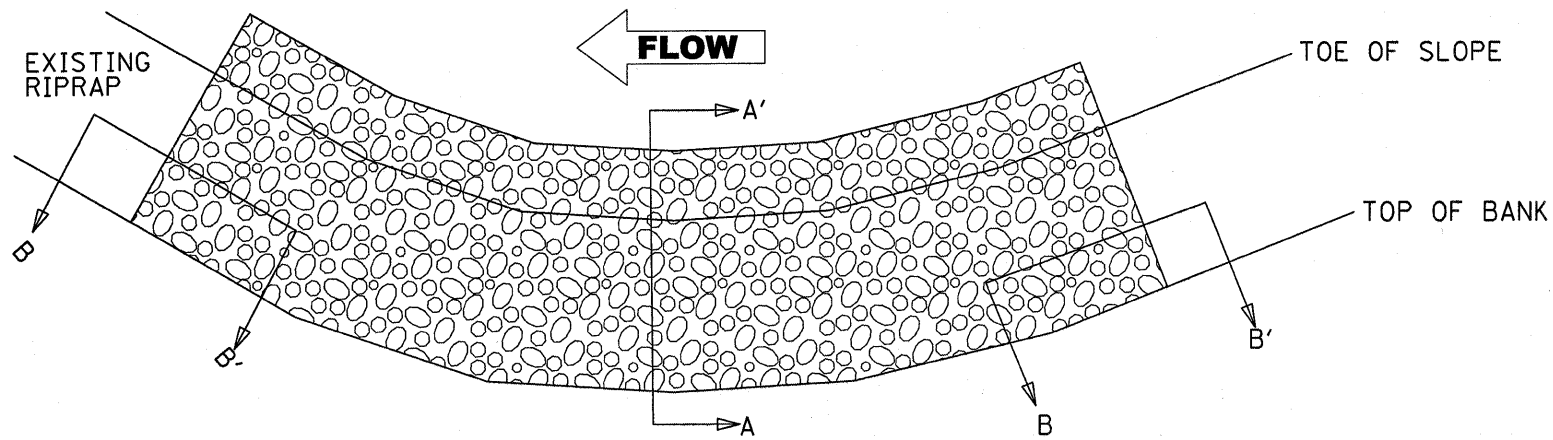
1. AN APPARENT OPENING SIZE (AOS) < 0.3 mm
2. PERMEABILITY > 1.5 GAL/MIN/SQ FT



FRONT VIEW

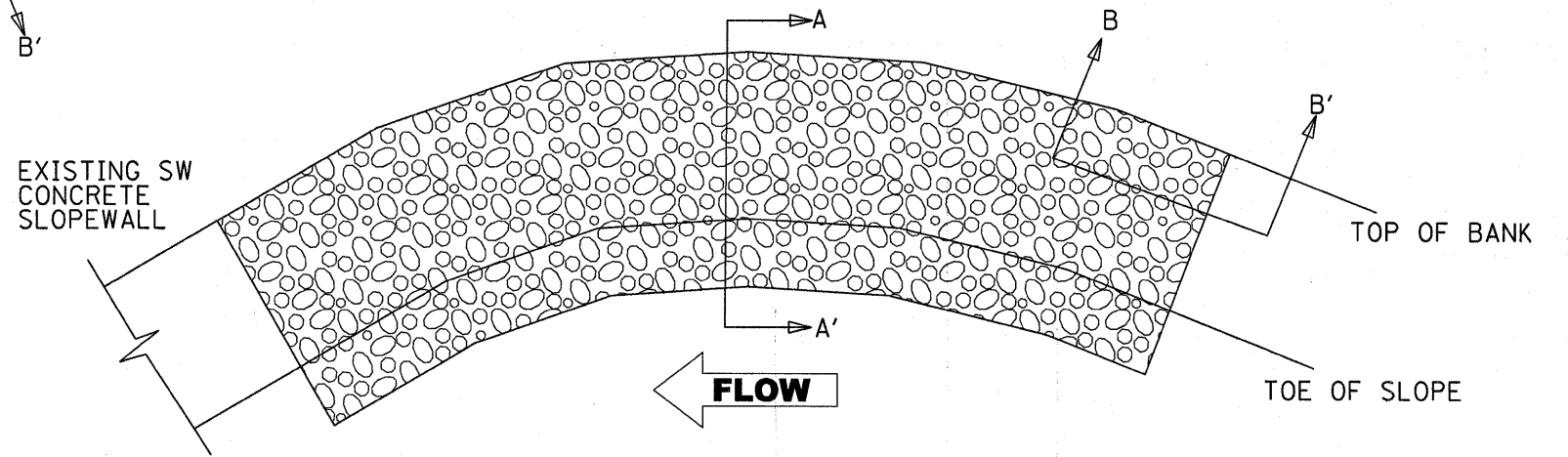
STREAM BARB LOCATION TABLE										
BARB	LENGTH	PROFILE	BANK ANGLE	LAYOUT PT 1		LAYOUT PT 2		LAYOUT PT 3		STONE RIPRAP CL A5 TON
				NORTHING	EASTING	NORTHING	EASTING	NORTHING	EASTING	
	FT	-H:1V	DEGREES							
1	54.0	7.0	25	1680841.16	2511927.01	1680844.71	2511919.84	1680896.81	2511934.03	
2	56.0	7.0	25	1680916.87	2511966.66	1680917.24	2511958.67	1680968.82	2511936.87	
3	56.0	7.0	25	1680999.84	2511973.81	1681000.11	2511965.79	1681049.53	2511939.67	
4	52.0	12.0	25	1681089.76	2511969.55	1681089.81	2511961.41	1681137.50	2511940.11	
5	45.0	18.0	30	1681171.91	2511942.48	1681168.51	2511935.25	1681191.16	2511896.37	
BARB	LENGTH	PROFILE	BANK ANGLE	LAYOUT PT 1		LAYOUT PT 2		LAYOUT PT 3		STONE RIPRAP CL A5 TON
	FT	-H:1V	DEGREES	STATION	OFFSET	STATION	OFFSET	STATION	OFFSET	
1	54.0	7.0	25	417+17.25	35.77	417+15.33	43.54	417+64.48	66.23	155
2	56.0	7.0	25	418+00.93	54.08	417+96.08	60.46	418+21.82	110.25	165
3	56.0	7.0	25	418+69.59	101.72	418+64.46	108.20	418+86.20	159.74	180
4	52.0	12.0	25	419+36.64	162.32	419+31.42	168.47	419+55.06	215.27	115
5	45.0	18.0	30	419+83.48	235.3	419+76.17	238.73	419+68.93	283.16	75

INTERSECTION TISKIWA RD. & IL 29
 N 1680457.71 2511650.40 E
 (SEE TIE POINT DETAIL)



PLAN VIEW

STA. ± 108+25 RT. TO STA. ± 110+25 RT.

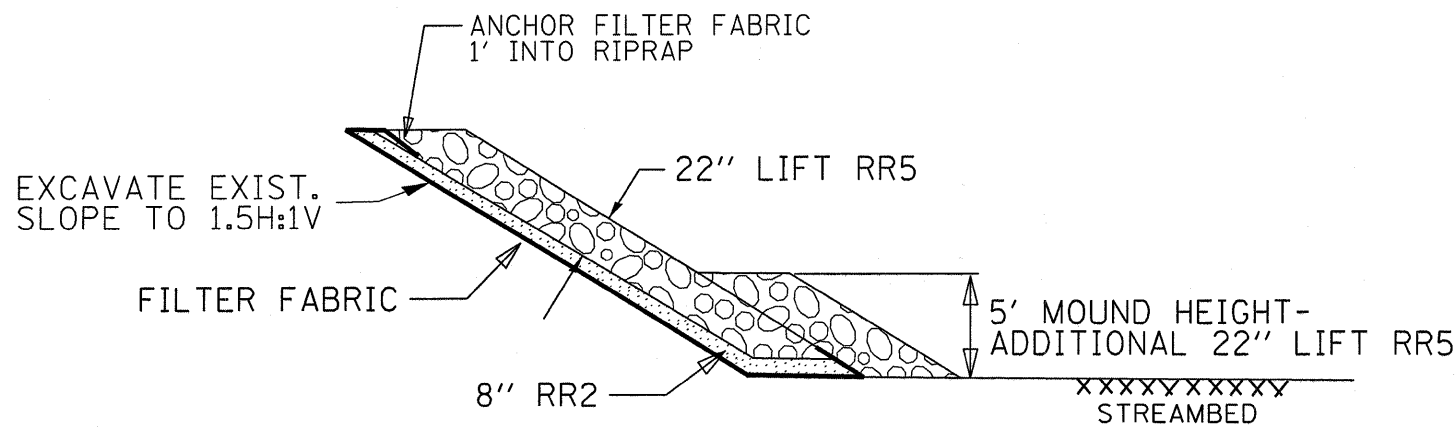


PLAN VIEW

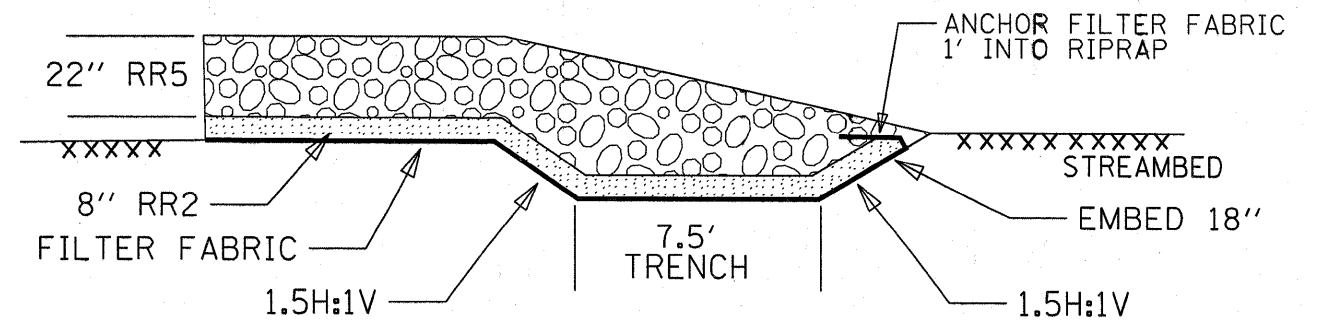
STA. ± 105+77 LT. TO STA. ± 107+05 LT.

NOTE: ALL FILTER FABRIC THROUGHOUT JOB LIMITS SHALL HAVE THE FOLLOWING CHARACTERISTICS:

1. AN APPARENT OPENING SIZE (AOS) < 0.3 mm
2. PERMEABILITY > 1.5 GAL/MIN/SQ FT



SECTION A-A'
MOUNDED TOE
SLOPE TERMINATION

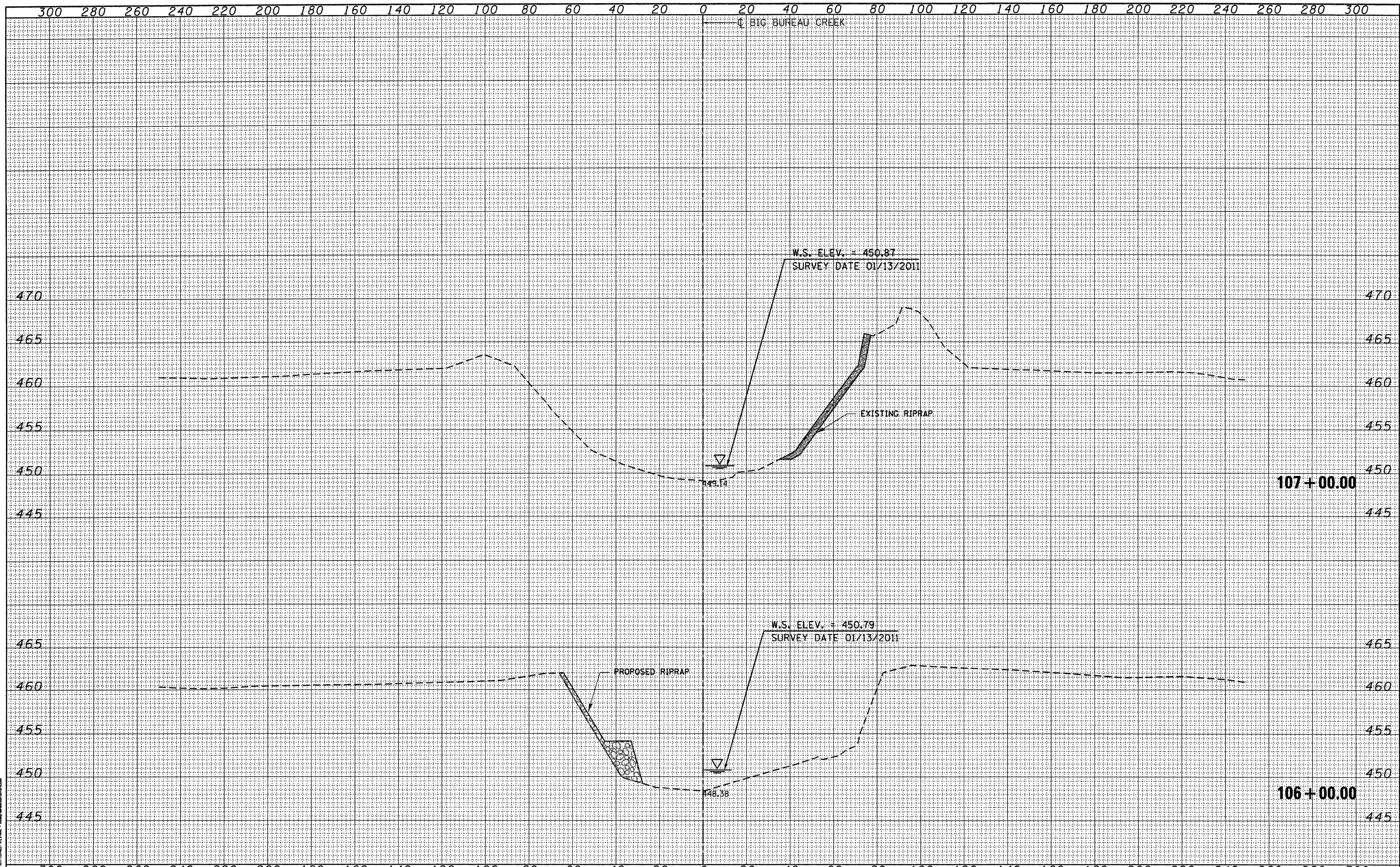
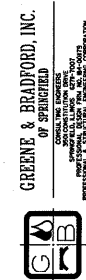


SECTION B-B'
KEY-IN TRENCH

FILE NAME =	USER NAME = ferguson	DESIGNED -	REVISED -	STATE OF ILLINOIS DEPARTMENT OF TRANSPORTATION	RIPRAP REVETMENT DETAILS	F.A. RTE.	SECTION	COUNTY	TOTAL SHEETS	SHEET NO.	
or\pwork\pwidot\ferguson\0234185\B	Details.DGN	DRAWN -	REVISED -			2245	(22)I	BUREAU	10	7	
PLOT SCALE = 50.0000' / in.		CHECKED -	REVISED -			SCALE: NTS		SHEET NO. OF SHEETS		STA. TO STA.	
PLOT DATE = 3/8/2012		DATE -	REVISED -			CONTRACT NO. 66A65					
						ILLINOIS FED. AID PROJECT					

DATE	
BY	
DESIGNED	
DRAWN	
CHECKED	
REVISIONS	
NO.	

DATE	
BY	
DESIGNED	
DRAWN	
CHECKED	
REVISIONS	
NO.	

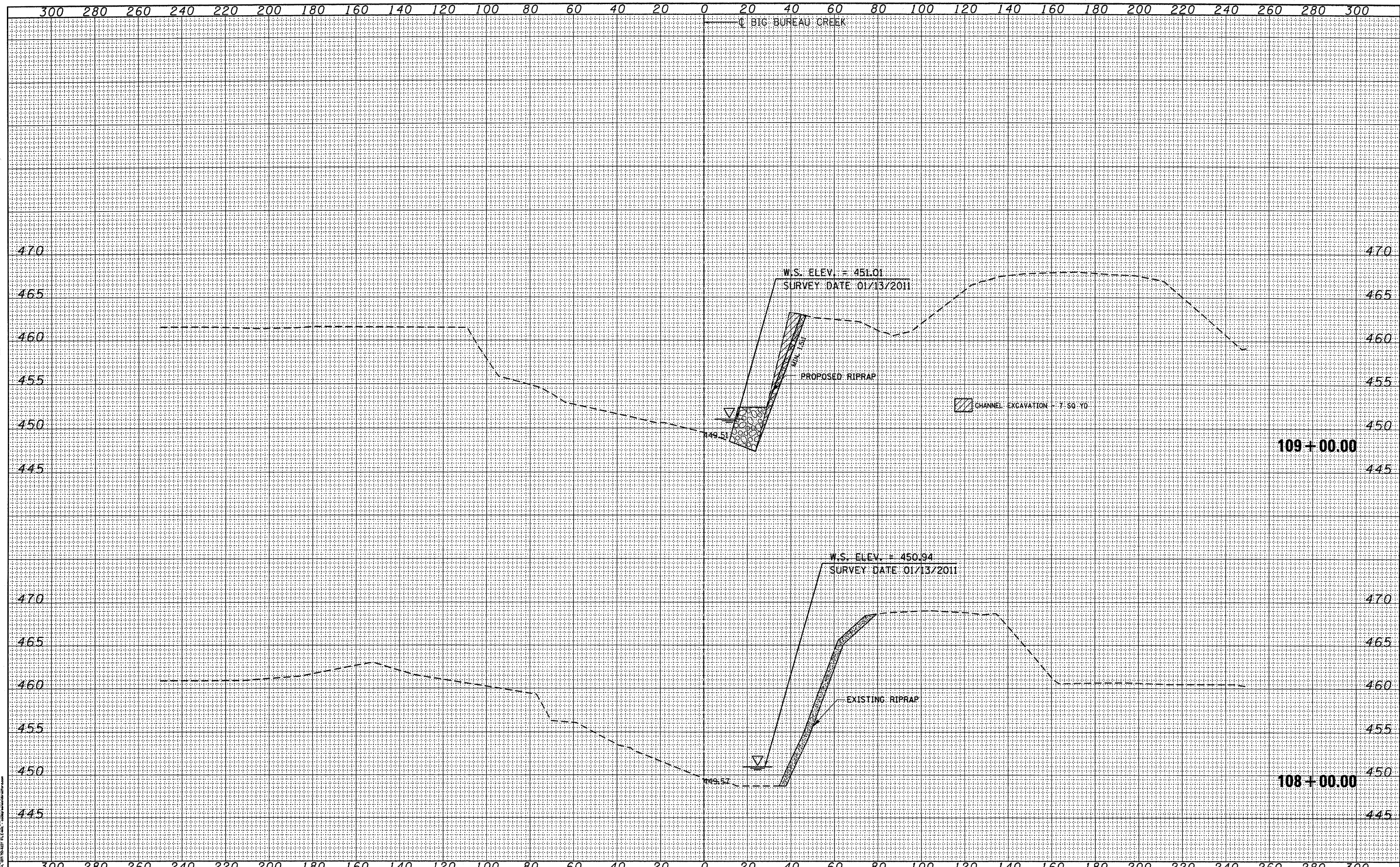


FILE NAME =	USER NAME = Fergusonsa	DESIGNED - WCB	REVISED -	STATE OF ILLINOIS DEPARTMENT OF TRANSPORTATION	BIG BUREAU CREEK CROSS SECTIONS SCALE: 20 H: 5 V SHEET NO. 8 OF 10 SHEETS STA. 106+00.00 TO STA. 107+00.00 F.A.S. RTE. 2245 SECTION (22) I COUNTY BUREAU TOTAL SHEETS 10 SHEET NO. 8 CONTRACT NO. 66A65 FED. ROAD DIST. NO. ILLINOIS FED. AID PROJECT			
o:\pwork\pwork\fergusa\106234188\0366A65-ht-XSC.dgn	PLOT SCALE = 20.0000' / in.	DRAWN - FV	REVISED -					
G&B PROJECT: 08227 W08	PLOT DATE = 3/8/2012	CHECKED - RT	REVISED -					
PLOT DRIVER = *PLOTTER*		DATE - 01/19/2011	REVISED -					

DATE	
BY	
DESIGNED	
DRAWN	
CHECKED	
REVISIONS	
NO.	

DATE	
BY	
DESIGNED	
DRAWN	
CHECKED	
REVISIONS	
NO.	

GREENE & BRADFORD, INC.
 OF SPRINGFIELD
 SURVEYING & ENGINEERING
 1000 N. WASHINGTON ST., SPRINGFIELD, IL 62761
 TEL: 217-223-8800 FAX: 217-223-8801
 WWW.GREENE-AND-BRADFORD.COM

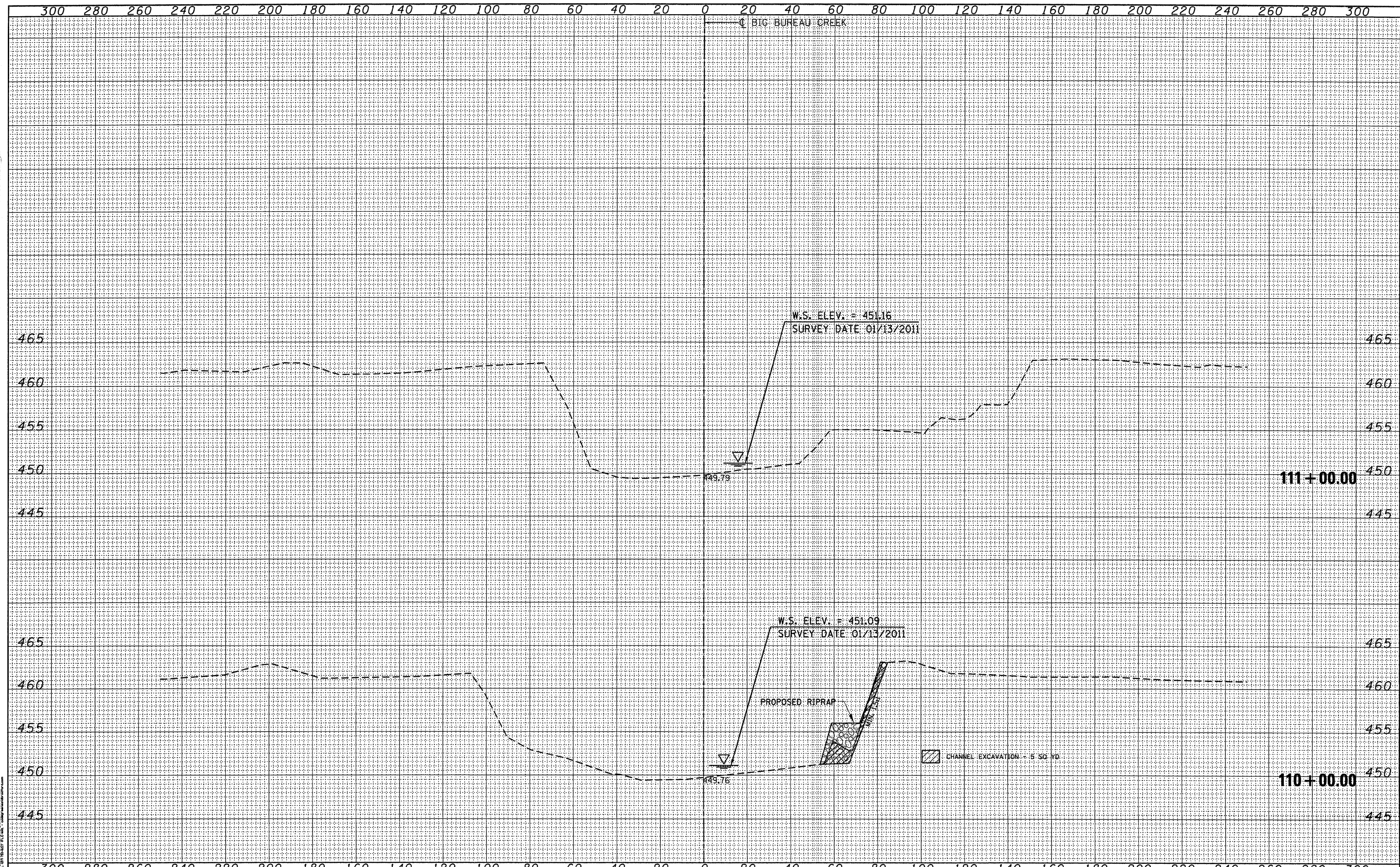


FILE NAME =	USER NAME = fergusonsa	DESIGNED - WCB	REVISED -	STATE OF ILLINOIS DEPARTMENT OF TRANSPORTATION	BIG BUREAU CREEK CROSS SECTIONS		F.A.S. RTE.	SECTION	COUNTY	TOTAL SHEETS	SHEET NO.
o:\p\work\p\widot\fergusonsa\0224188\0366A65	ht-XSC.dgn	DRAWN - FV	REVISED -				2245	(22) I	BUREAU	10	9
G&B PROJECT: 08227 W08	PLOT SCALE = 20.0000' / in.	CHECKED - RT	REVISED -				CONTRACT NO. 66A65				
PLOT DATE = 3/8/2012	DATE - 01/19/2011	REVISED -	FED. ROAD DIST. NO. [ILLINOIS] FED. AID PROJECT								
PLOT DRIVER = *PLOTTER*				SCALE: 20 H: 5 V		SHEET NO. 9 OF 10 SHEETS	STA. 108+00.00 TO STA. 109+00.00				

DATE	
BY	
FINAL SURVEY	
NOTED	
PLOTTED	
TEMPLATE	
AREAS	
AREAS CHECKED	
NO.	

DATE	
BY	
ORIGINAL SURVEY	
NOTED	
PLOTTED	
TEMPLATE	
AREAS	
AREAS CHECKED	
NO.	

GREENE & BRADFORD, INC.
 OF SPENCERVILLE, MISSOURI
 1000 S. STATE ST. ST. LOUIS, MO 63103
 TEL: 314-241-1100 FAX: 314-241-1101
 WWW.GREENE-AND-BRADFORD.COM



FILE NAME =	USER NAME = fergusonse	DESIGNED - WCB	REVISED -	STATE OF ILLINOIS DEPARTMENT OF TRANSPORTATION	BIG BUREAU CREEK CROSS SECTIONS	F.A.S. RTE.	SECTION	COUNTY	TOTAL SHEETS	SHEET NO.	
at:\p_wor\pwidot\fergusonse\02234188\0366A65	ht-XSC.dgn	DRAWN - FV	REVISED -			2245	(22) I	BUREAU	10	10	
PLOT SCALE = 20.0000' / in.		CHECKED - RT	REVISED -			CONTRACT NO. 66A65					
PLOT DATE = 3/8/2012		DATE - 01/19/2011	REVISED -			FED. ROAD DIST. NO. [ILLINOIS] FED. AID PROJECT					
G&B PROJECT: 08227 W08				SCALE: 20 H 5 V		SHEET NO. 10 OF 10 SHEETS		STA. 110+00.00 TO STA. 111+00.00			
PLOT DRIVER = *PLOTTER*											