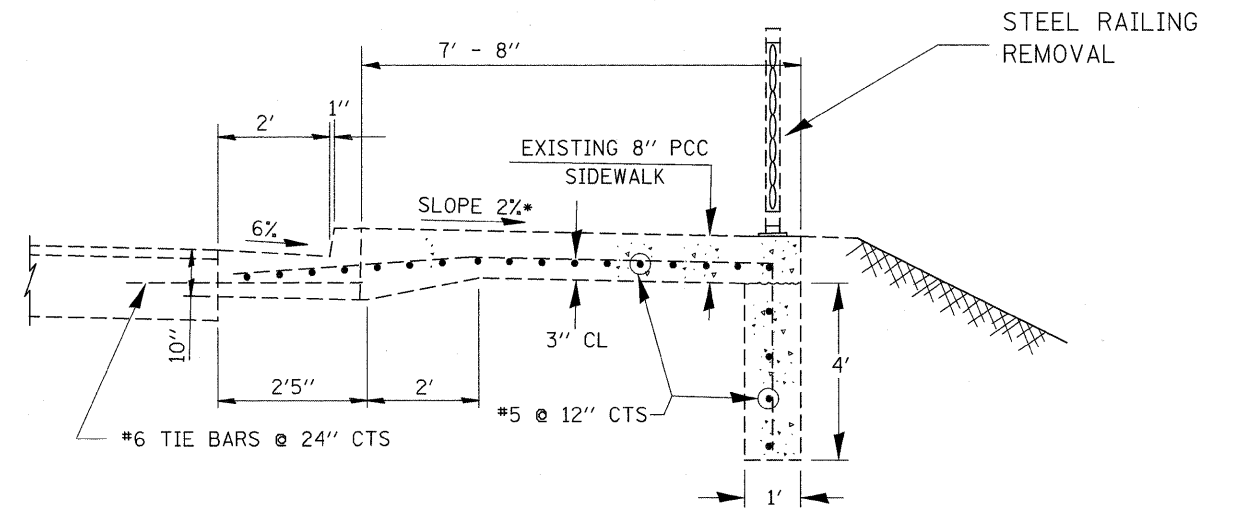
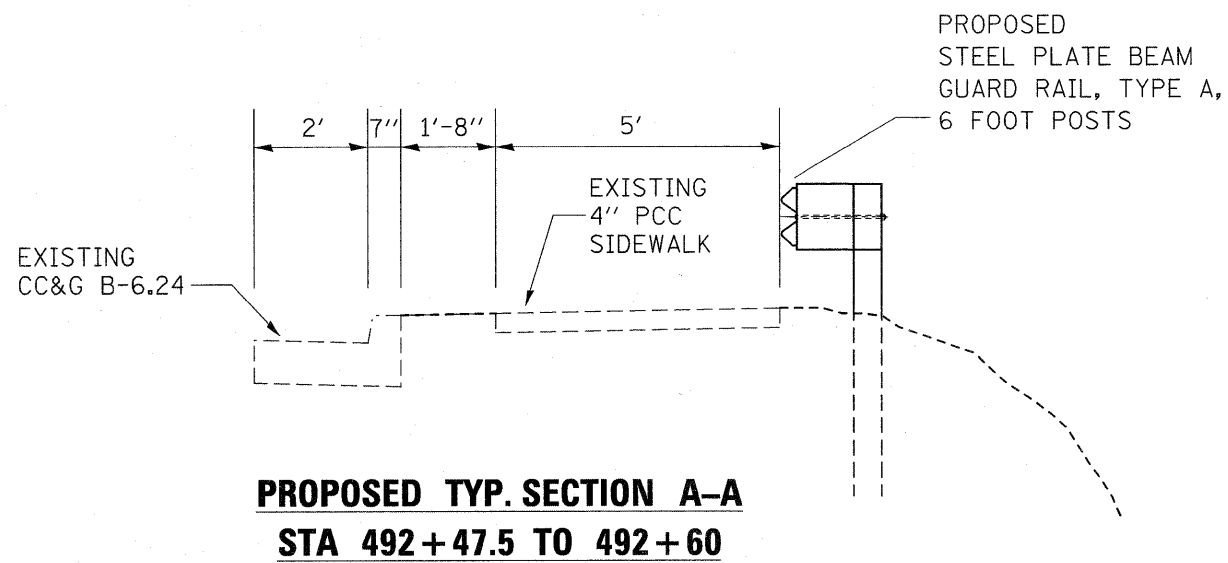


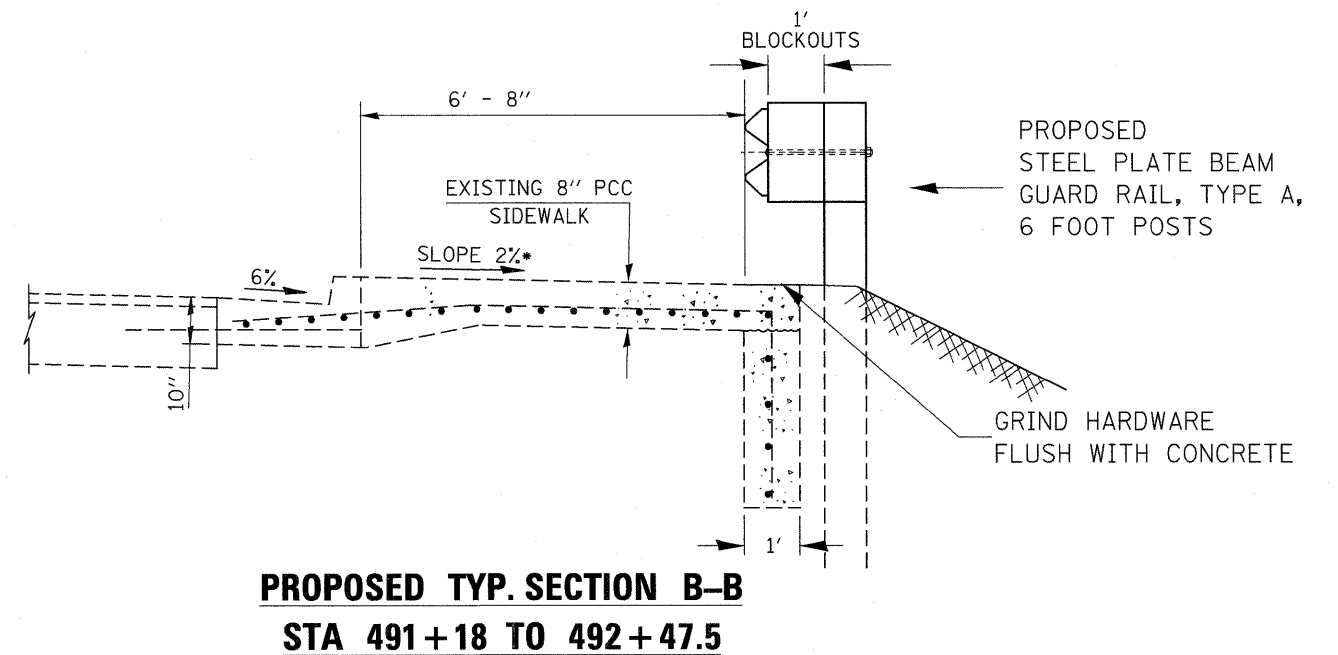
**EXISTING TYP. SECTION A-A
STA 492+47.5 TO 492+60**



**EXISTING TYP. SECTION B-B
STA 491+18 TO 492+47.5**



**PROPOSED TYP. SECTION A-A
STA 492+47.5 TO 492+60**



**PROPOSED TYP. SECTION B-B
STA 491+18 TO 492+47.5**

NOTE:
STATIONING RUNS
NORTH TO SOUTH

FILE NAME =	USER NAME = administrator	DESIGNED -	REVISED -	STATE OF ILLINOIS DEPARTMENT OF TRANSPORTATION	DETAIL EXISTING STEEL RAILING AND PROPOSED GUARDRAIL			F.A.P. RTE.	SECTION	COUNTY	TOTAL SHEETS	SHEET NO.
ct:\pw\work\pwwidot\quigley\1\0249990\0366808-sht-details.DGN		DRAWN -	REVISED -		68	(52)I	LASALLE	8	4			
PLOT SCALE = 10.0000' / 1"		CHECKED -	REVISED -		CONTRACT NO. 66B08							
PLOT DATE = 2/8/2012		DATE -	REVISED -		ILLINOIS FED. AID PROJECT							
				SCALE:	SHEET	OF	SHEETS	STA.	TO STA.			