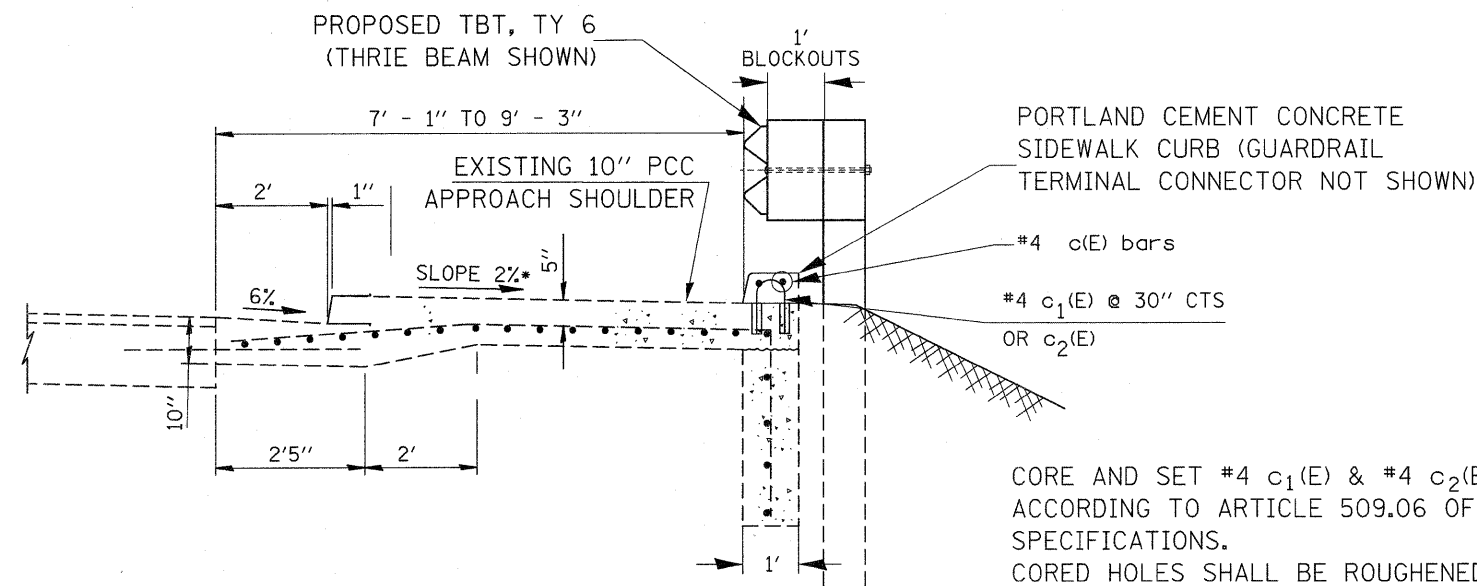


EXISTING TYP. SECTION C-C



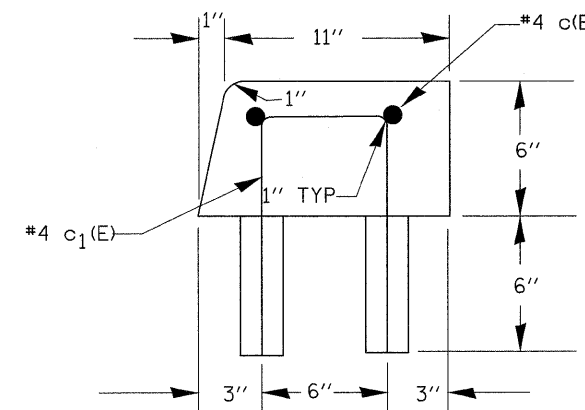
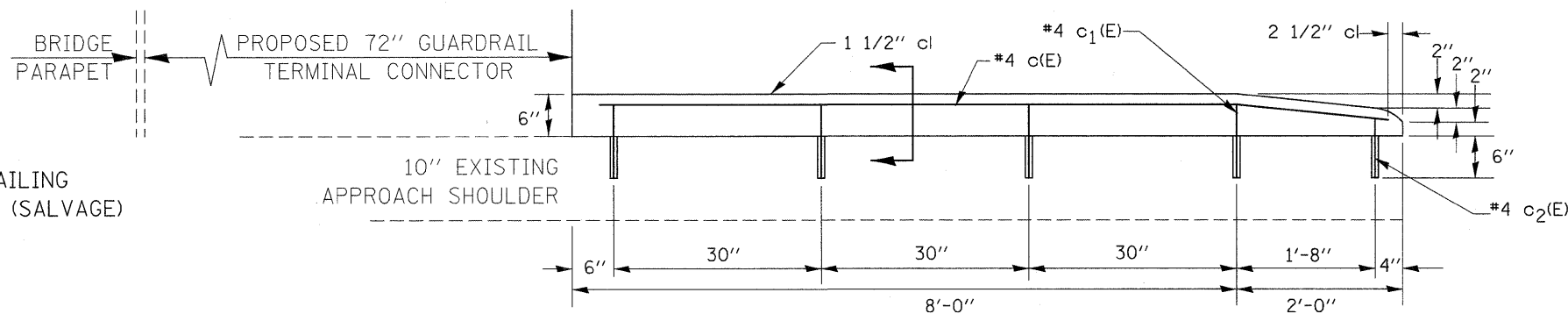
PROPOSED TYP. SECTION C-C

CORE AND SET #4 c₁(E) & #4 c₂(E) BARS ACCORDING TO ARTICLE 509.06 OF THE STANDARD SPECIFICATIONS. CORED HOLES SHALL BE ROUGHENED OR SCORED PER MANUFACTURER'S RECOMMENDATIONS. MAXIMUM DEPTH OF HOLE SHALL NOT EXCEED 6" (TYP).

REINFORCEMENT BARS DESIGNATED (E) SHALL BE EPOXY COATED.

SEE STD 631031 FOR DETAILS NOT SHOWN.

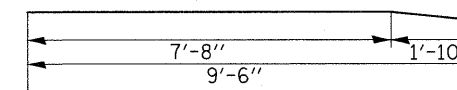
SEE GUARDRAIL LAYOUT PLAN FOR LIMITS OF PCC SIDEWALK CURB.



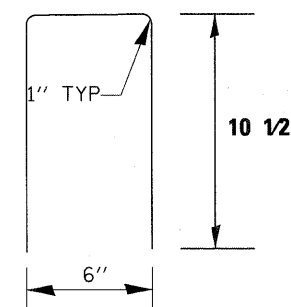
**SECTION VIEW
PROPOSED PORTLAND CEMENT CONCRETE SIDEWALK CURB**

BILL OF MATERIALS

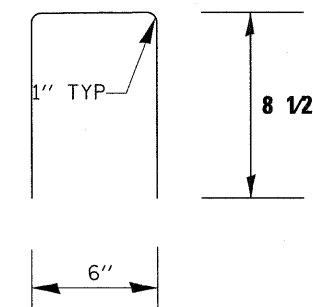
BAR	NO.	SIZE	LENGTH	SHAPE
c ₁ (E)	4	4	2' 3"	□
c ₂ (E)	1	4	1' 11"	□
c(E)	2	4	9' 6"	—
ITEM			UNIT	QTY.
PCC SIDEWALK CURB			FOOT	10
REINFORCEMENT BAR, EPOXY COATED			LB	20



BAR c(E)



BAR c₁(E)



BAR c₂(E)