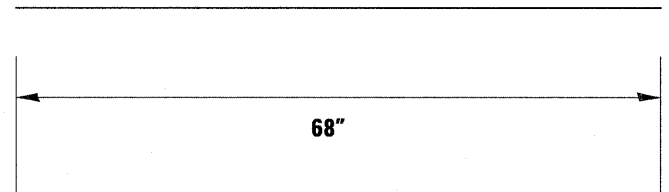


**PLAN**

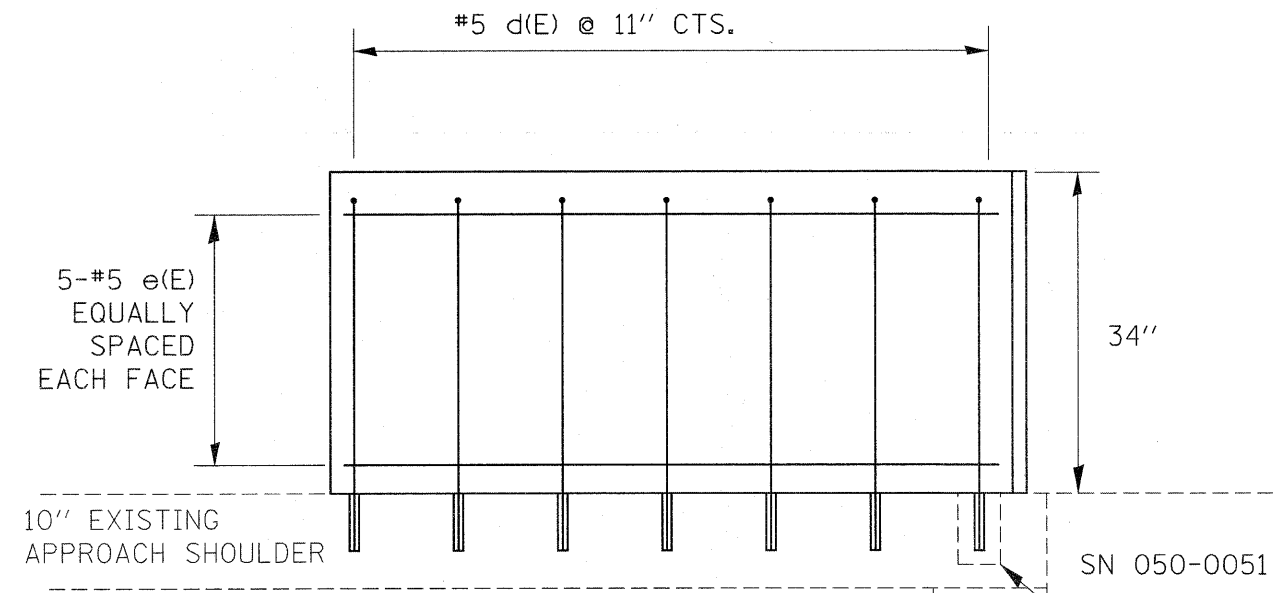
**BILL OF MATERIALS**

BAR	NO.	SIZE	LENGTH	SHAPE
d(E)	7	5	74 1/2"	U
e(E)	10	5	68"	—
ITEM			UNIT	QTY.
CONCRETE STRUCTURE			CU YD	0.64
REINFORCEMENT BAR, EPOXY COATED			LB	107

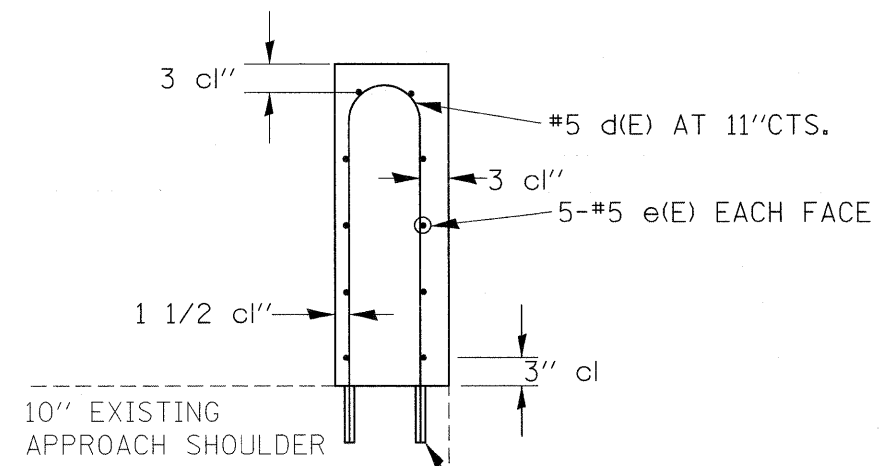
NOTES:  
ALL EDGES SHALL HAVE 3/4" CHAMFER.  
REINFORCEMENT BARS DESIGNATED (E) SHALL BE EPOXY COATED.



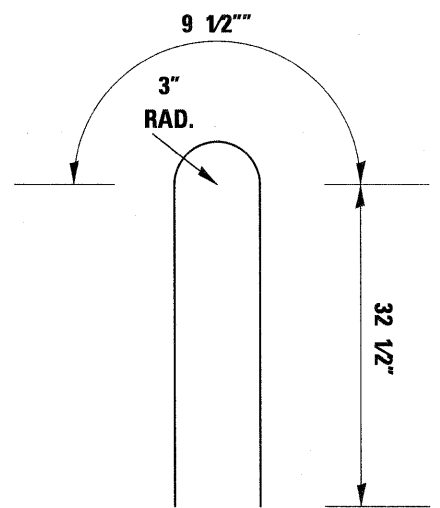
**BAR e(E)**



**ELEVATION**



**END**



**BAR d(E)**

CORE AND SET #5 d (E) BAR ACCORDING TO ARTICLE 509.06 OF THE STANDARD SPECIFICATIONS. CORED HOLES SHALL BE ROUGHENED OR SCORED PER MANUFACTURER'S RECOMMENDATIONS. MAXIMUM DEPTH OF HOLE SHALL NOT EXCEED 6" (TYP.).

ADJUST LOCATION TO MISS EXISTING PEDESTRIAN RAIL ANCHOR TAPS