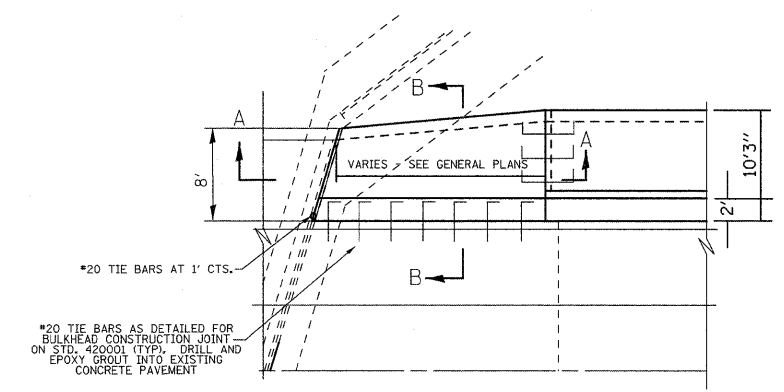
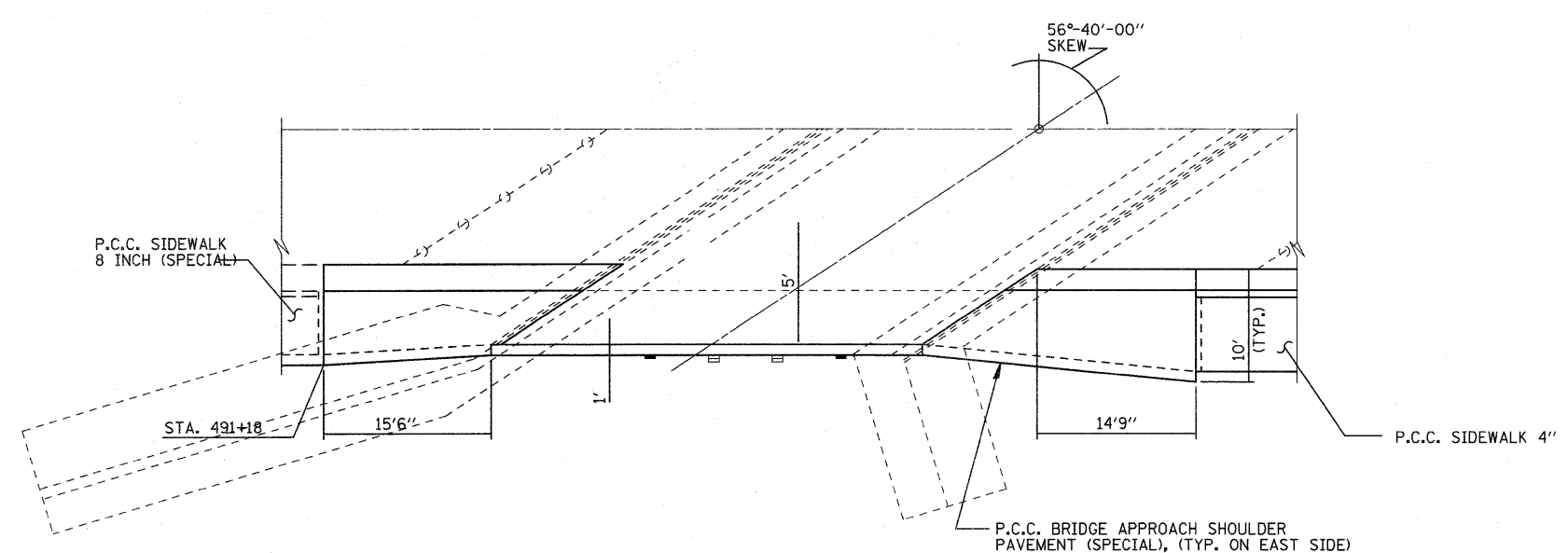


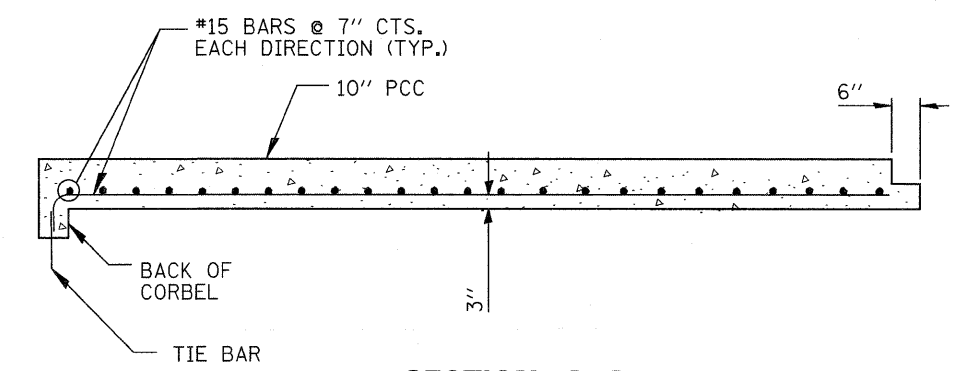
GENERAL PLAN
STRUCTURE NO. 050-0050



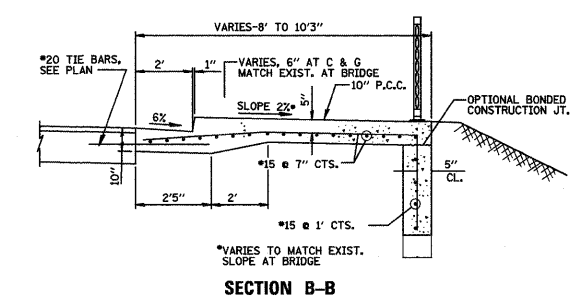
TYPICAL DETAIL PLAN



GENERAL PLAN
STRUCTURE NO. 050-0051



SECTION A-A



SECTION B-B

FOR INFORMATION ONLY

FILE NAME =	USER NAME = administrator	DESIGNED -	REVISED -	STATE OF ILLINOIS DEPARTMENT OF TRANSPORTATION	DETAIL EXISTING STRUCTURE FOR INFORMATIONAL ONLY			F.A.P. RTE.	SECTION	COUNTY	TOTAL SHEETS	SHEET NO.
c:\pw_work\pwsdot\quigley\m\0249990\0366808-ah-t-detail.dgn	6808-ah-t-detail.dgn	DRAWN -	REVISED -					68	(52I)	LASALLE	8	7
PLOT SCALE = 1/8"=1'-0"	1/8"=1'-0"	CHECKED -	REVISED -		SCALE: SHEET OF SHEETS STA. TO STA.			CONTRACT NO. 66B08				
PLOT DATE = 2/8/2012	2/8/2012	DATE -	REVISED -		ILLINOIS FED. AID PROJECT							