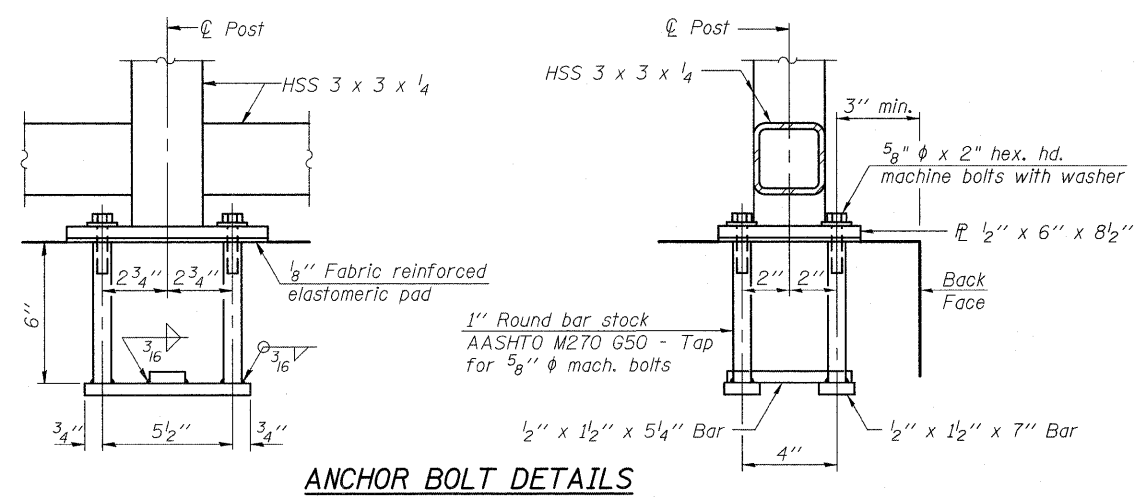
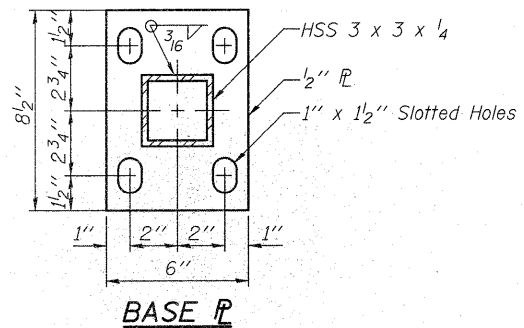
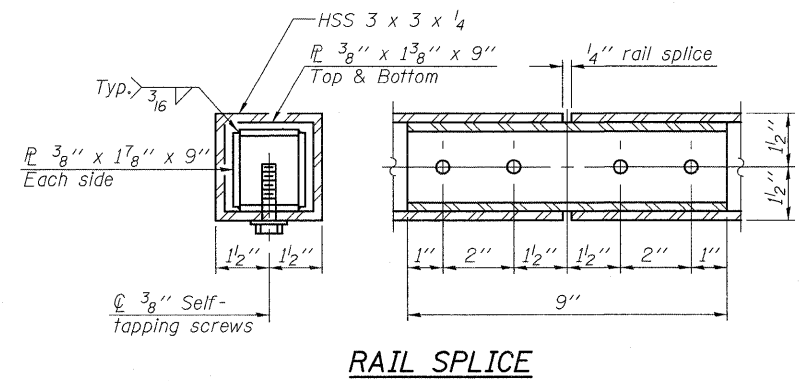
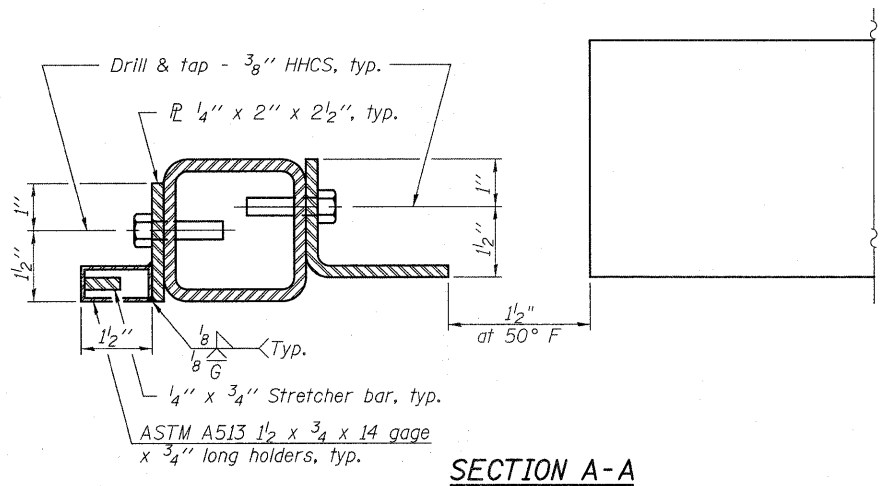


All steel rail elements shall be galvanized according to Article 509.05 of the Standard Specifications.

FOR INFORMATION ONLY

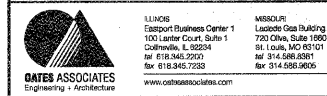


BILL OF MATERIAL

Item	Unit	Quantity
Bicycle Railing	Foot	216
Parapet Railing	Foot	234

In lieu of the cast-in-place anchor device shown, the Contractor has the option of drilling and setting 5/8" ϕ anchor rods according to Article 509.06 of the Standard Specifications. Embedment shall be according to the manufacturer's specifications.

R-29 7-1-10 (10'-0" Maximum Post Spacing)



USER NAME =	DESIGNED - JAD	REVISED -
PLOT SCALE =	CHECKED - SUN	REVISED -
PLOT DATE =	DRAWN - JAD	REVISED -
	CHECKED - SUN	REVISED -

STATE OF ILLINOIS
DEPARTMENT OF TRANSPORTATION

DETAIL EXISTING STEEL RAILING
FOR INFORMATIONAL ONLY

SHEET NO. 13 OF 20 SHEETS

F.A.P. RTE.	SECTION	COUNTY	TOTAL SHEETS	SHEET NO.
68	(52)	LASALLE	8	8
CONTRACT NO. 66B08				
ILLINOIS FED. AID PROJECT				