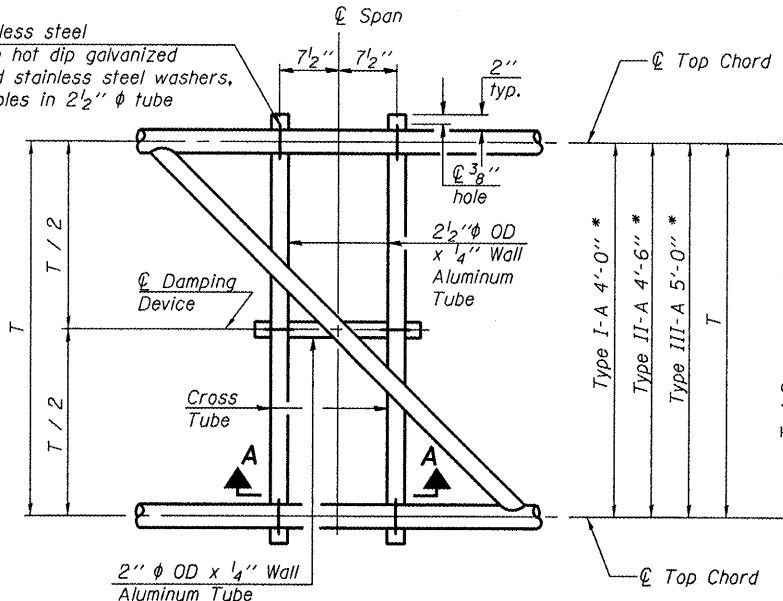
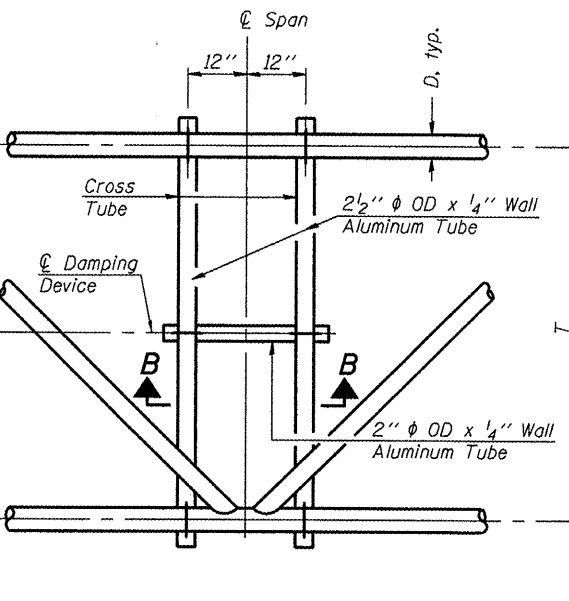


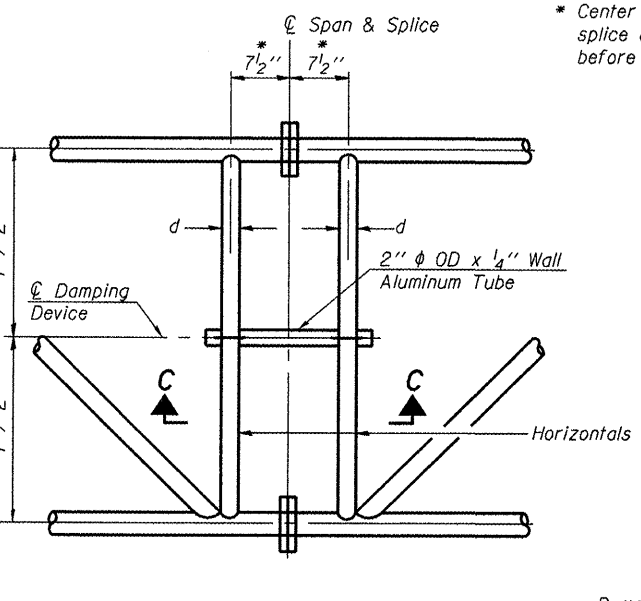
5/16" φ stainless steel  
U-bolt with hot dip galvanized  
locknuts and stainless steel washers,  
typ. 3/8" φ holes in 2 1/2" φ tube



**PLAN DETAIL "A"**  
Span between Panel Points



**PLAN DETAIL "B"**  
Span at Panel Point



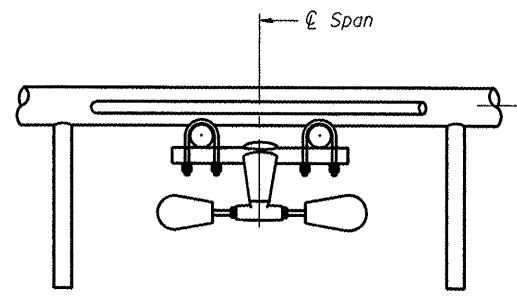
**PLAN DETAIL "C"**  
Span at Chord Splice

\* Center of horizontal to center of  
splice dimension may vary. Verify  
before drilling holes in mounting tube.

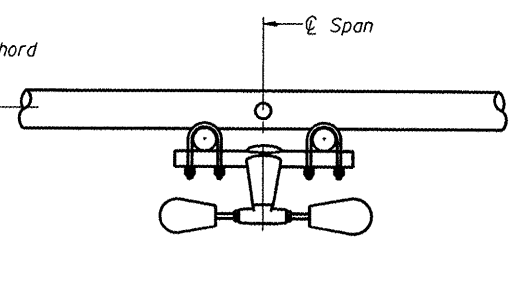
**NOTES**

Damper: One damper per truss. (31 lbs. minimum Stockbridge-Type Aluminum - 29" minimum between ends of weights) Cost included in Overhead Sign Structure...

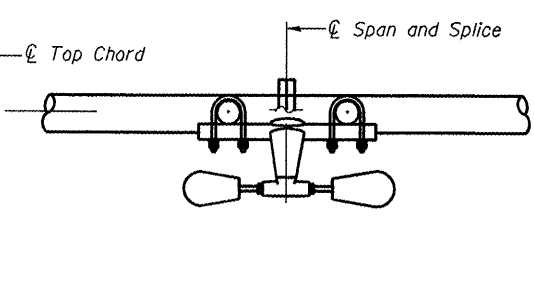
Materials: Materials: Aluminum tubes shall be ASTM B221 alloy 6061 temper T6. Cost included in Overhead Sign Structure...



**SECTION A-A**

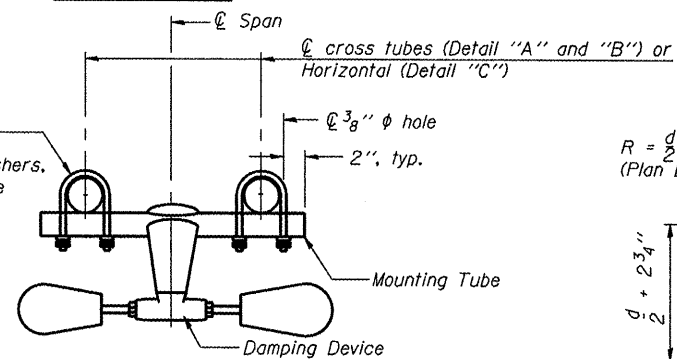


**SECTION B-B**

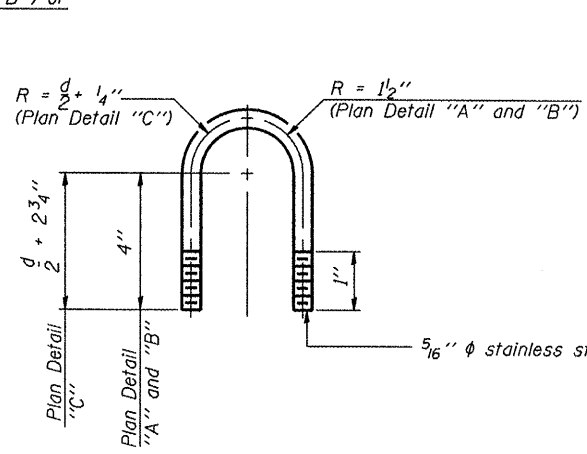


**SECTION C-C**

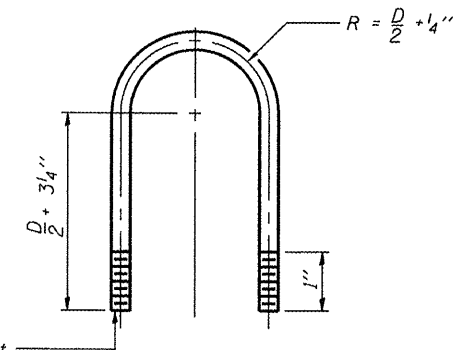
5/16" φ stainless steel  
U-bolt with hot dip galvanized  
locknuts and stainless steel washers,  
typ. 3/8" φ holes in mounting tube



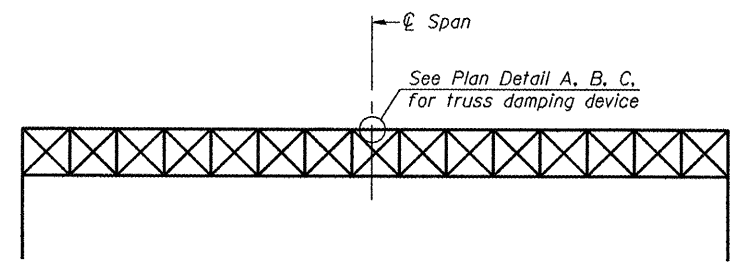
**TRUSS DAMPING  
DEVICE CONNECTION DETAIL**  
(Typical)



**DAMPING DEVICE MOUNTING  
TUBE U-BOLT DETAIL**  
(Typical)



**TOP CHORD TO CROSS TUBE  
U-BOLT DETAIL**  
(Typical - Detail "A" and "B")



**ELEVATION**  
Aluminum Overhead  
Sign Truss

OS-A-D 1-20-11

FILE NAME =	USER NAME = potelyj	DESIGNED -	REVISED -	<b>STATE OF ILLINOIS DEPARTMENT OF TRANSPORTATION</b>	<b>OVERHEAD SIGN STRUCTURE DAMPING DEVICE</b>	F.A.I. RTE.	SECTION	COUNTY	TOTAL SHEETS	SHEET NO.
ci:\pw_work\p\ridot\potelyj\0250292\0366828-shd-detaila.DGN	PLOT SCALE = 99.9999' / in.	DRAWN -	REVISED -			VAR	D3 OVD MESSAGE SG - 2012	VAR	50	17
PLOT DATE = 2/23/2012	DATE -	CHECKED -	REVISED -			SCALE: _____ SHEET NO. 1 OF 1 SHEETS STA. _____ TO STA. _____		CONTRACT NO. 6020		ILLINOIS
		DATE -	REVISED -							