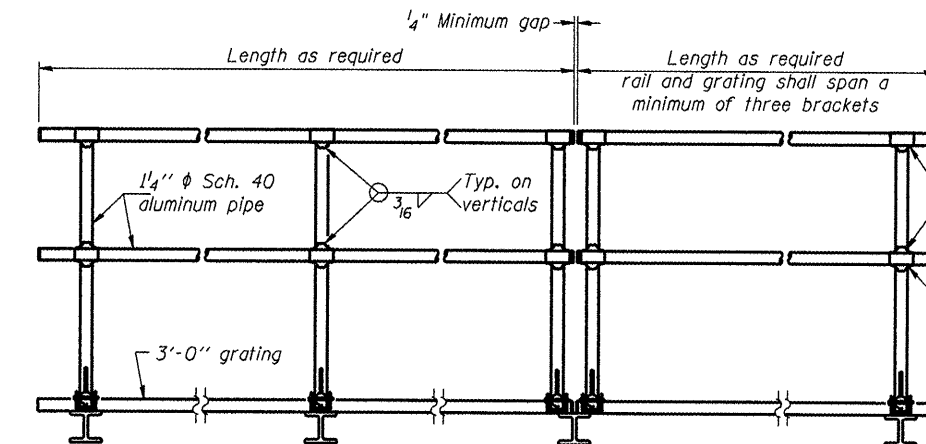
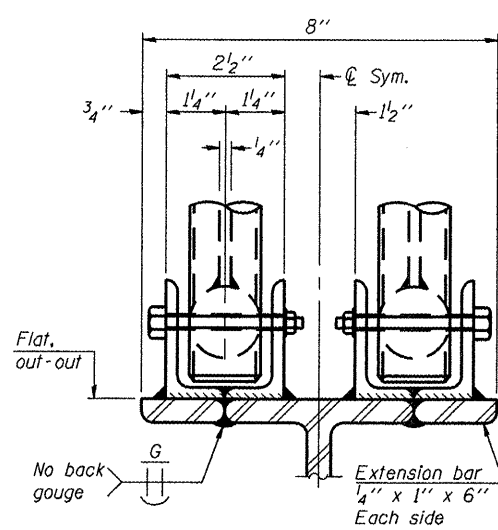


**SIDE ELEVATION**  
(Showing safety chain w/o sign)



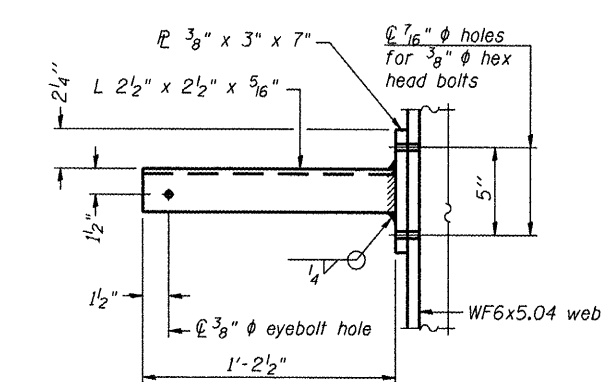
**FRONT ELEVATION**



**ELEVATION AT HANDRAIL JOINT (4)**

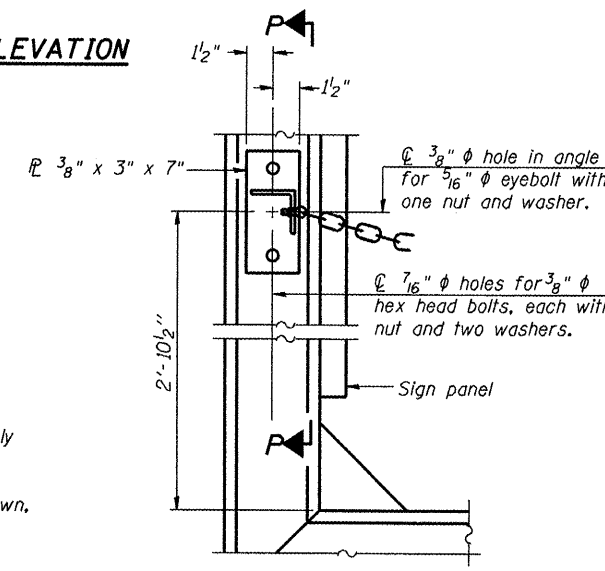
**HANDRAIL DETAILS**

Handrail pipe shall be ASTM B241, Alloy 6063-T6 or Alloy 6061-T6.

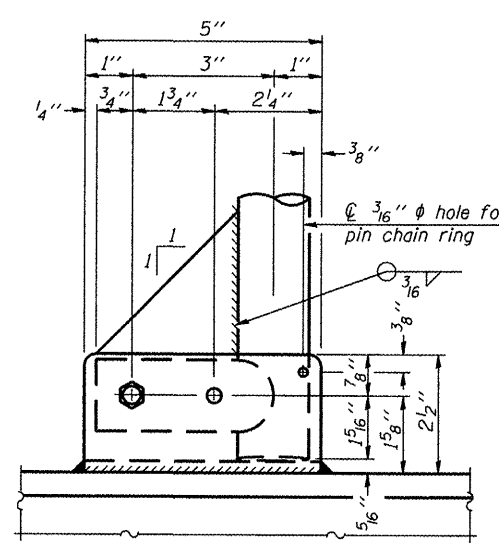


**SECTION P-P**

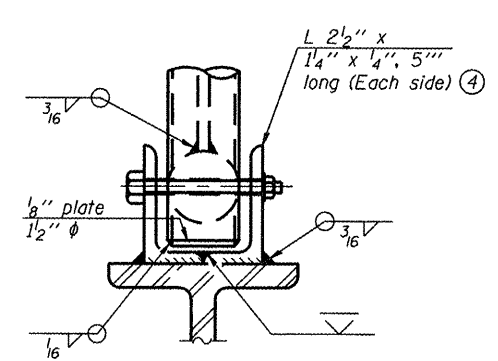
- (2) Horizontal handrail member shall be continuous thru fitting. Provide 7/16" hole in fitting for 3/8" bolt. Field drill 7/16" hole in horizontal rail member. Provide washer and locknut for bolt. (Use 5/16" eyebolts in 7/16" holes on top rail at ends only.)
- (3) 3/16" type 304L stainless steel chain, approximately 12 links per foot.
- (4) Extrusions may be used in lieu of the details shown, with approval of the Engineer.



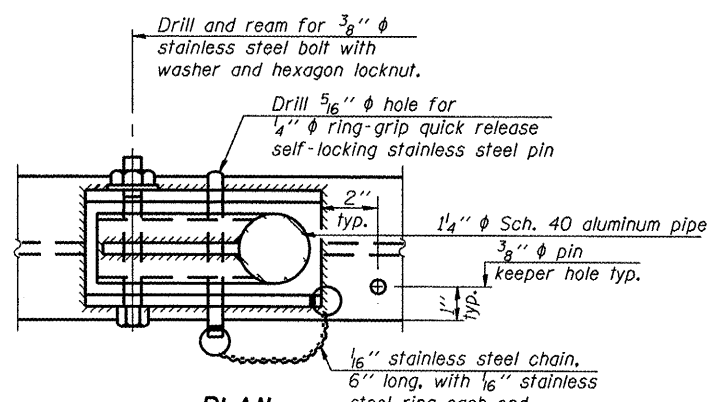
**ALTERNATE SAFETY CHAIN ATTACHMENT**  
(With Sign Present)  
Items not shown same as "Side Elevation" of "Handrail Details"



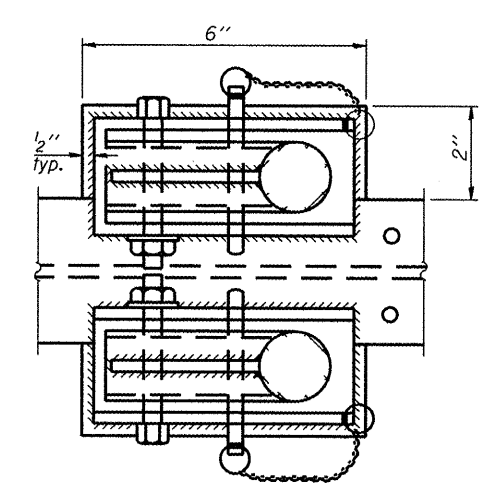
**SIDE ELEVATION**



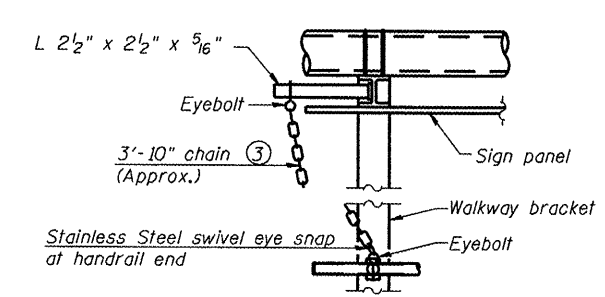
**FRONT ELEVATION**  
See "ELEVATION" at right for dimensions.



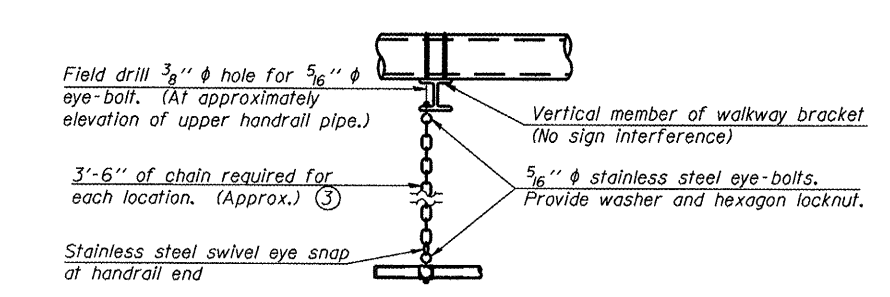
**PLAN DETAIL E HANDRAIL HINGE**



**PLAN AT HANDRAIL JOINT**  
Details not shown same as "PLAN"



**ALTERNATE SAFETY CHAIN ATTACHMENT**  
Details not shown similar to "Safety Chain" Details  
(Walkway omitted for clarity)



**SAFETY CHAIN**  
One required for each end of each walkway.

OS-A-II-DMS 1-20-11

FILE NAME =	USER NAME = pateluj	DESIGNED - YOGESH PATEL	REVISED -	<b>STATE OF ILLINOIS DEPARTMENT OF TRANSPORTATION</b>	<b>OVERHEAD SIGN STRUCTURES ALTERNATE ALUMINUM HANDRAIL DETAILS FOR DMS</b>	F.A.I. RTE.	SECTION	COUNTY	TOTAL SHEETS	SHEET NO.
c:\pwork\pedit\pateluj\0250292\0366	28-sht-details.DGN	DRAWN - YOGESH PATEL	REVISED -			VAR	D3 OVD MESSAGE SG - 2012	VAR	50	22
	PLOT SCALE = 99.9999 1/16"	CHECKED - RON WOODSHANK	REVISED -			SCALE:	SHEET NO. 1 OF 1 SHEETS	STA.	TO STA.	CONTRACT NO. 60022
	PLOT DATE = 2/23/2012	DATE -	REVISED -							ILLINOIS