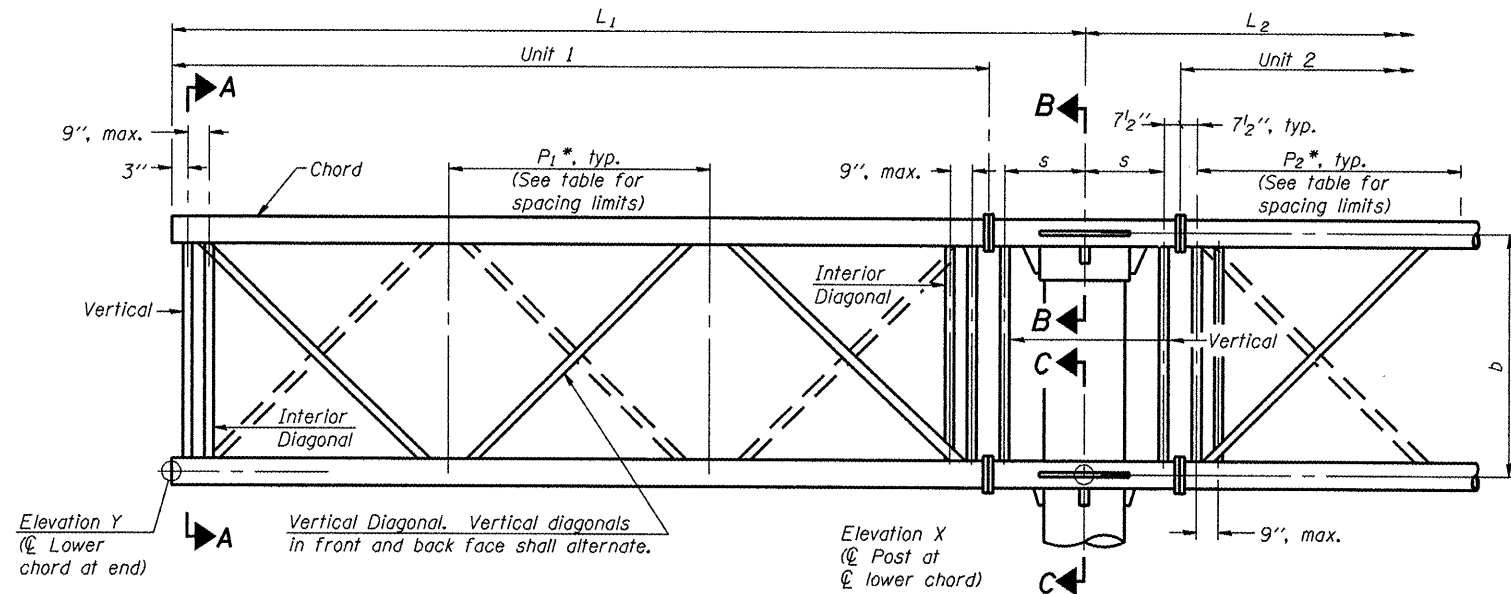


Notes:
There are twice as many horizontal diagonals as there are vertical diagonals.

PLAN
(Walkway not shown)



ELEVATION

(Sign and walkway omitted for clarity)

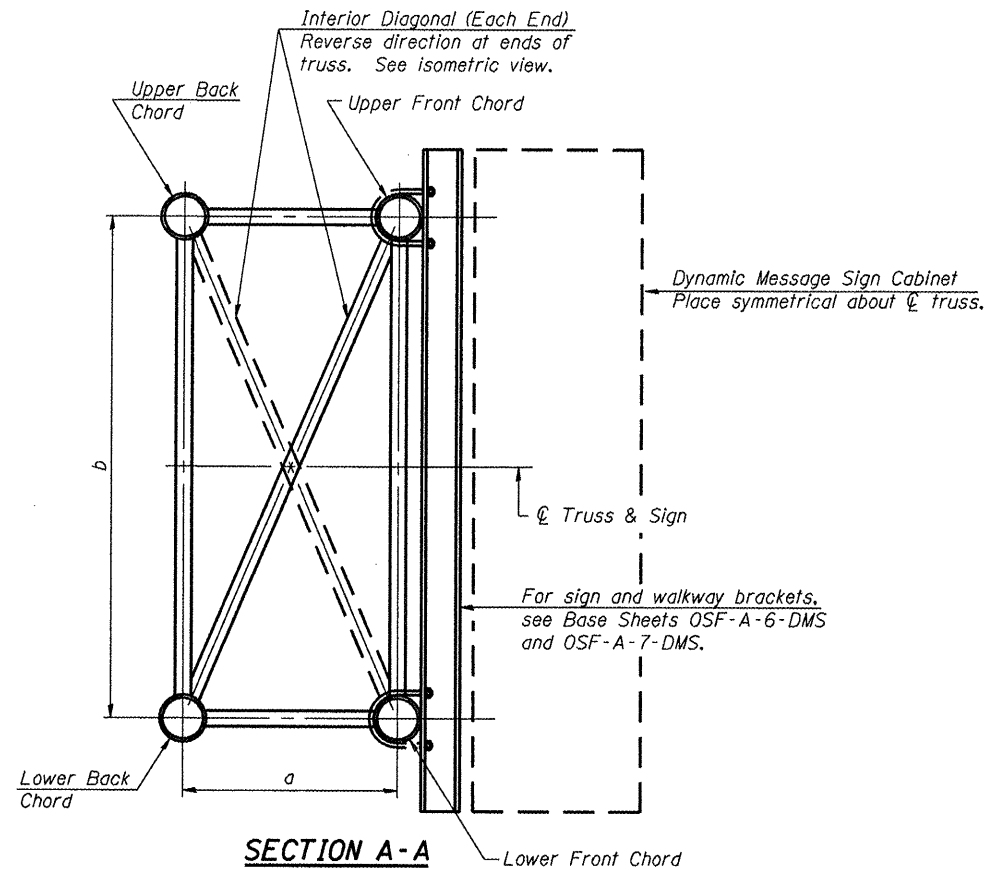
TYPICAL TRUSS UNIT

For Section B-B and Section C-C, see Base Sheet OSF-A-3-DMS

TRUSS UNIT TABLE

| Truss Type | Dimension "a" | Dimension "b" | Dimension "s" | Limits for Panel Spacing (P)* | Up. & Low. Chord | | Verticals; Horizontals; Vertical Horizontals; and Interior Diagonals | |
|------------|---------------|---------------|---------------|-------------------------------|------------------|------|--|------|
| | | | | | O.D. | Wall | | |
| III-F-A | 36" | 84" | 21" | 48" min. to 66" max. | 7" | 3/8" | 3 1/2" | 3/8" |

*P = $\frac{L-s-1'-6''}{\# \text{ Panels}}$



SECTION A-A

| Structure Number | Station | Truss Type | L ₁ | L ₂ | Number of Panels Unit 1 | Panel Length (P ₁)* | Number of Panels Unit 2 | Panel Length (P ₂)* |
|------------------|---------|------------|----------------|----------------|-------------------------|---------------------------------|-------------------------|---------------------------------|
| 3F0501039R052.6 | 701+50 | III-F-A | 17'-4" | 21'-4" | 3 | 56" | 4 | 54" |
| 3F0501039L057.6 | 965+00 | III-F-A | 17'-4" | 21'-4" | 3 | 56" | 4 | 54" |
| 3F0501080L083.6 | 130+00 | III-F-A | 17'-4" | 21'-4" | 3 | 56" | 4 | 54" |

OSF-A-2-DMS 1-20-11

| | | | |
|---------------------------------------|------------------------------|------------|-----------|
| FILE NAME = | USER NAME = potelyj | DESIGNED - | REVISED - |
| osf\work\p\ridot\potelyj\0258292\0368 | 28-shr-details.DGN | DRAWN - | REVISED - |
| | PLOT SCALE = 99.9999 1/1 in. | CHECKED - | REVISED - |
| | PLOT DATE = 2/23/2012 | DATE - | REVISED - |

STATE OF ILLINOIS
DEPARTMENT OF TRANSPORTATION

BUTTERFLY SIGN STRUCTURES - ALTERNATE TRUSS DETAILS FOR DMS
ALUMINUM TRUSS & STEEL POST

SCALE: SHEET NO. 1 OF 1 SHEETS STA. TO STA.

| | | | | |
|-------------------|--------------------------|--------|--------------|-----------|
| F.A.I. RTE. | SECTION | COUNTY | TOTAL SHEETS | SHEET NO. |
| VAR | D3 OVD MESSAGE SG - 2012 | VAR | 50 | 31 |
| CONTRACT NO. 6020 | | | ILLINOIS | |