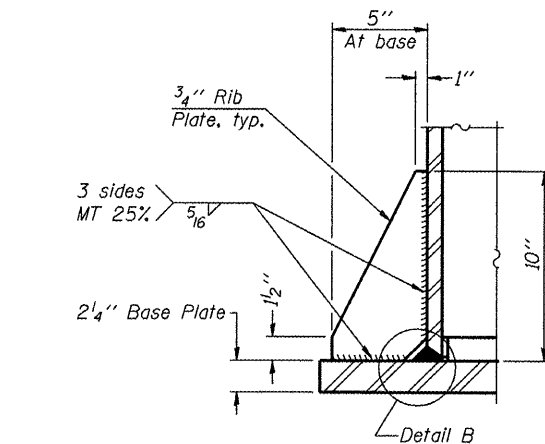
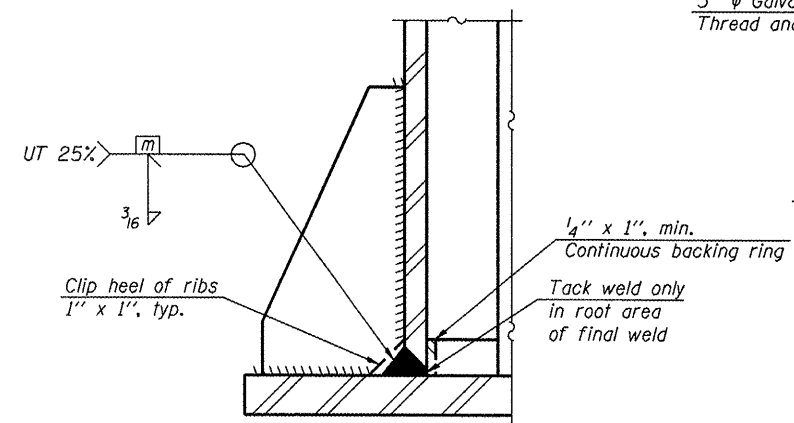


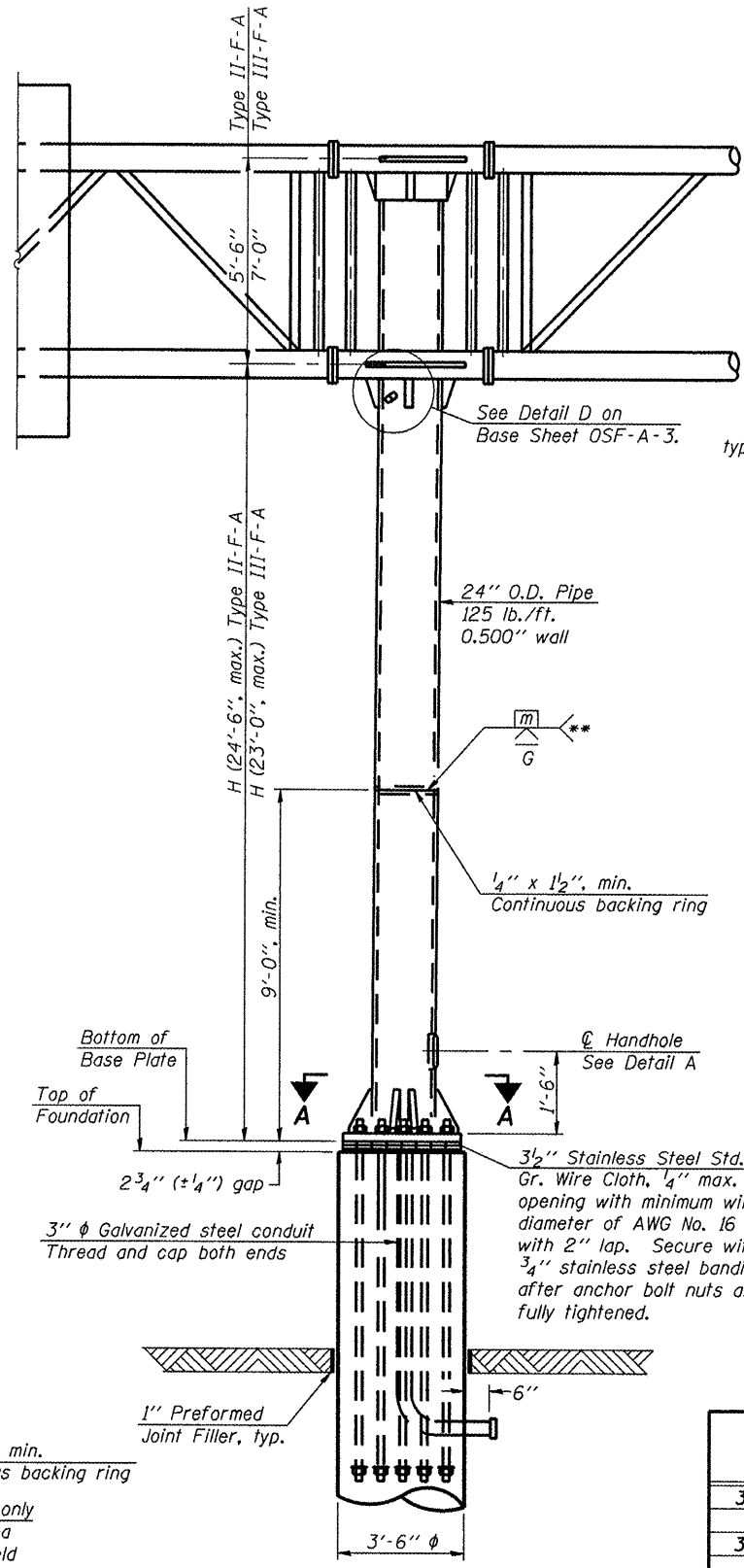
**SECTION A-A**



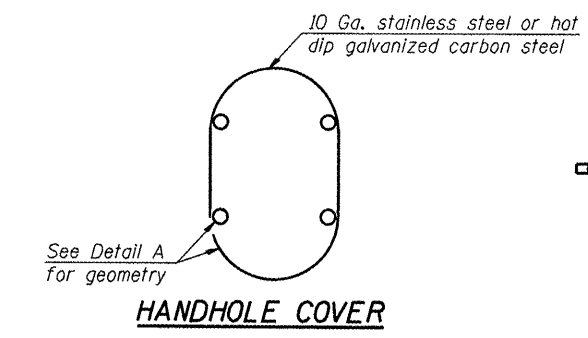
**SECTION B-B**



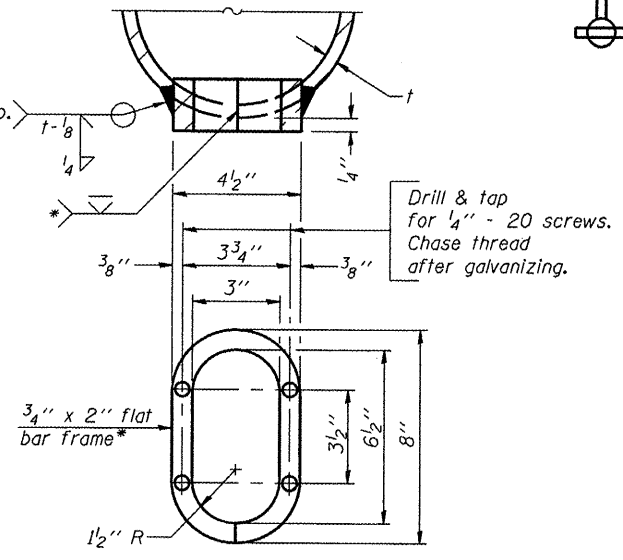
**DETAIL B**  
(Typical rib)



**FRONT ELEVATION**  
For Foundation Details see Base Sheet OSF-A-9.



**HANDHOLE COVER**



**DETAIL A**

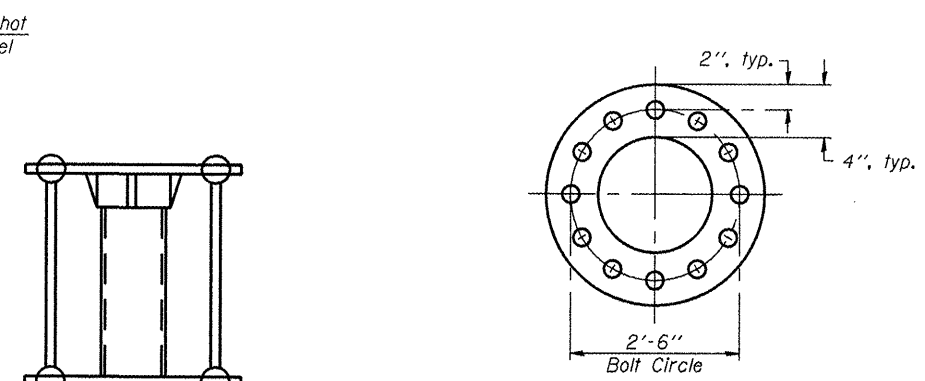
Provide 8" x 4 1/2" cover. Outside corners = 2 1/4" radius. Provide 4-5/16" diameter holes for 1/4" - 20 round head hot dip galvanized or stainless steel machine screws. (See cover details.)

\* Bent bars may be butt welded top and bottom or bottom only. In lieu of fabricated handhole frame as shown, may cut from 2" plate (rolling direction vertical). All cut faces to be ground to ANSI Roughness of 500 μin or less.

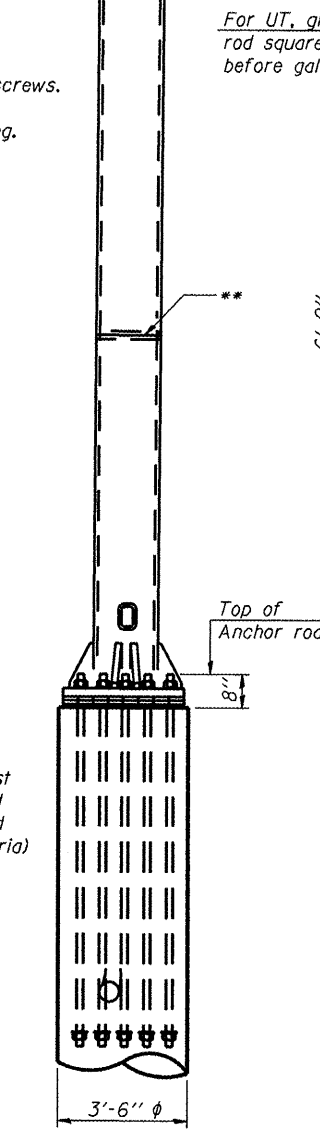
\*\* Butt welded joint in post is only allowed for post heights (H) over 20 ft. in length. If used, weld procedure must be preapproved by Engineer and joint shall receive 100% RT or UT (tension criteria) at Contractor's expense.

Structure Number	Station	H
3F0501039R052.6	701+50	21'-1"
3F0501039L057.6	965+00	21'-8"
3F0501080L083.6	130+00	22'-9"

Note: "H" based on 15'-0" or actual sign height, whichever is greater.



**SUGGESTED POSITIONING PLATE**



**ANCHOR ROD DETAIL**

For UT, grind top of rod square and smooth before galvanizing.

Utilize positioning plate and temporary nuts with leveling nuts or other Engineer approved methods to maintain anchor bolts' alignment during concrete placement. Plate, extra nuts and other positioning aids become Contractor's property. Cost included in Drilled Shaft Concrete Foundations.

Protect threads during concreting with tape, sleeves, or other means.

\*\*\* 18" is minimum to be galvanized. Entire rod may be galvanized at Contractor's option.

All Thread = NC (National Coarse)

Provide 1 nut per rod. Deform thread or use chemical thread lock to secure.

**SIDE ELEVATION**

OSF-A-5

1-20-11

FILE NAME =	USER NAME = patelyj	DESIGNED -	REVISED -	STATE OF ILLINOIS DEPARTMENT OF TRANSPORTATION	BUTTERFLY SIGN STRUCTURES - TYPE II-F-A & III-F-A TRUSS SUPPORT POST - ALUMINUM TRUSS & STEEL POST	F.A.I. RTE.	SECTION	COUNTY	TOTAL SHEETS	SHEET NO.
c:\pw-work\p\dot\patelyj\0250292\036628-sht-details.DGN	DESIGNED -	REVISED -	VAR			D3 OVD MESSAGE SG - 2012	VAR	50	35	
PLOT SCALE = 99.9999 1/16"	CHECKED -	REVISED -	SCALE: _____			SHEET NO. 1 OF 1 SHEETS	STA. _____ TO STA. _____	CONTRACT NO. 66B28		
PLOT DATE = 2/23/2012	DATE -	REVISED -	[ILLINOIS]							