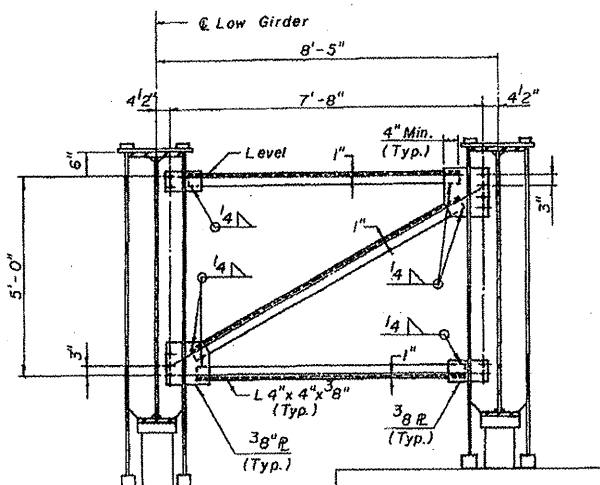


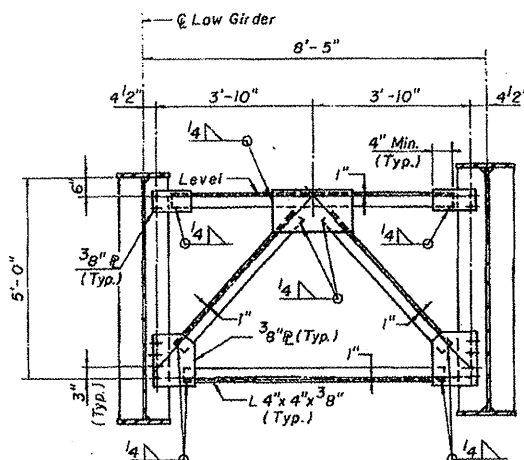
# S.N. 102-0047 LOCATION 1 INFORMATION ONLY



**END CROSS FRAME - CF<sub>1</sub>**

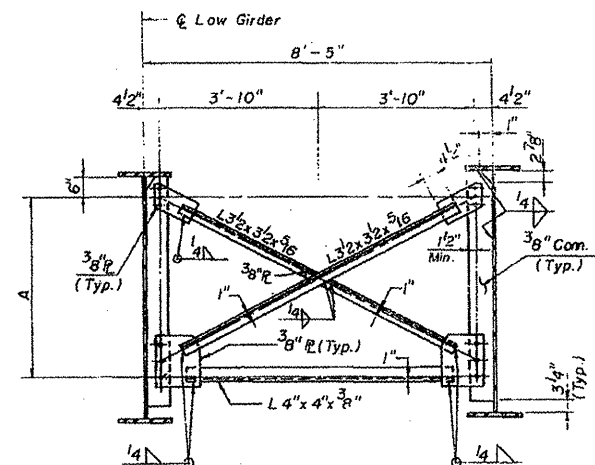
No. Req'd. = 14  
Scale: 1/2" = 1'-0"

CROSS FRAME CF MAY BE REMOVED AFTER BACKWALL IS IN PLACE.



**INTERIOR CROSS FRAME - CF<sub>1</sub>**

No. Req'd. = 14  
Scale: 1/2" = 1'-0"

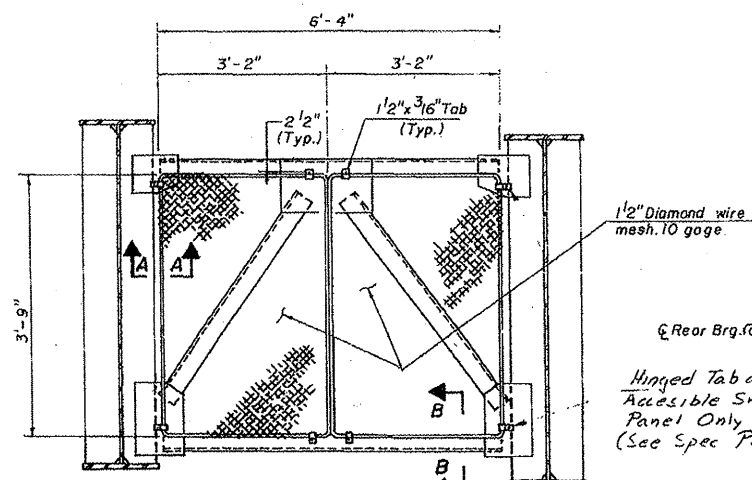


**INTERIOR CROSS FRAME - CF<sub>2</sub>, CF<sub>3</sub> & CF<sub>4</sub>**

CF<sub>2</sub> No. Req'd. = 35; CF<sub>3</sub> No. Req'd. = 14; CF<sub>4</sub> No. Req'd. = 14  
CF<sub>2</sub> shown. CF<sub>3</sub> & CF<sub>4</sub> similar except the connection plate shall be welded to the bottom flange and undercut of the top.  
Scale: 1/2" = 1'-0"

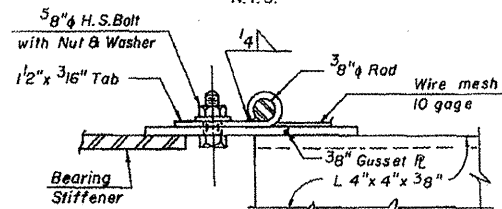
VALUE of A

CF <sub>2</sub>	= 3'-0"
CF <sub>3</sub>	= 3'-10"
CF <sub>4</sub>	= 5'-0"

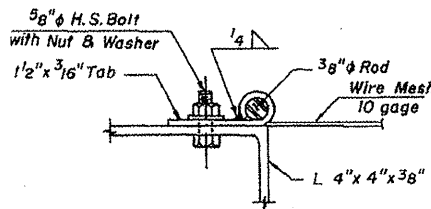


**TYPICAL SCREEN PANEL AT CROSS FRAME CF<sub>1</sub>**

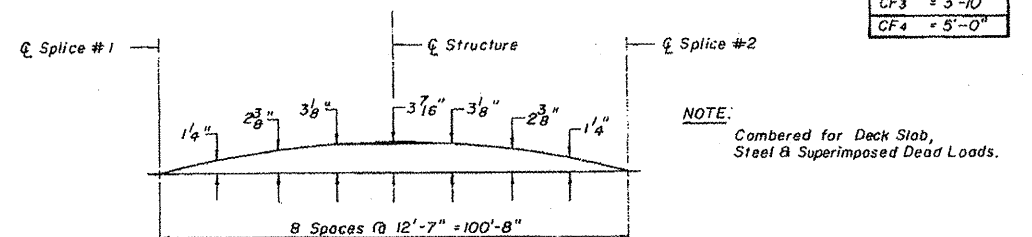
No. Req'd. = 14  
N.T.S.



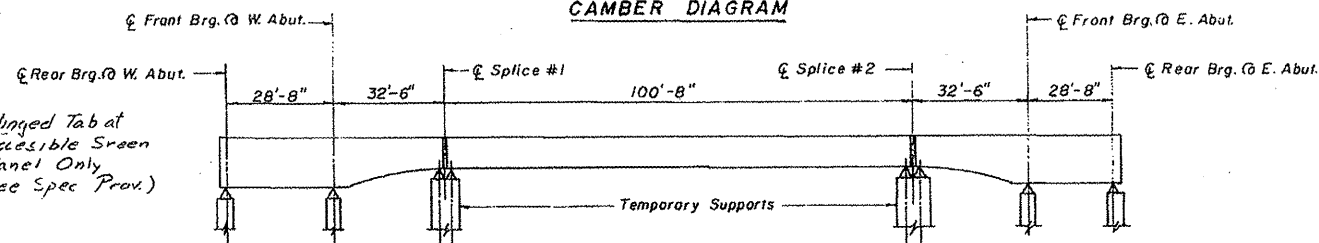
**SECTION A-A**  
N.T.S.



**SECTION B-B**  
N.T.S.



**CAMBER DIAGRAM**



**ERECTION SKETCH**

R<sub>1</sub> = 4.4" Girder  
R<sub>2</sub> = 10.2" Girder

**Erection Sequence**

- 1 Erect the girders in 3 segments, supported by the permanent bearings and the temporary supports. Temporary supports shall be incidental to STRUCTURAL STEEL.
- 2 Erect the girder splices.
- 3 Install tiedown devices.
- 4 Remove temporary supports.
- 5 Pour concrete deck. For pouring sequence see Sheet 5 of 13

FILE NAME =  
April 2012 printing.dgn

USER NAME = AdadeSA

PLDT SCALE = 2.0205 1/1 in.  
PLOT DATE = 2/1/2012

DESIGNED -  
DRAWN -  
CHECKED -  
DATE -

REVISED -  
REVISED -  
REVISED -  
REVISED -

STATE OF ILLINOIS  
DEPARTMENT OF TRANSPORTATION

SCALE: \_\_\_\_\_ SHEET \_\_\_\_\_ OF \_\_\_\_\_ SHEETS STA. \_\_\_\_\_ TO STA. \_\_\_\_\_

F.A.I.  
RTE.

SECTION  
102-(4HB,3HB-2)I

COUNTY  
WOODFORD

TOTAL SHEETS  
12

SHEET NO.  
7

CONTRACT NO. 68A94

ILLINOIS FED. AID PROJECT