

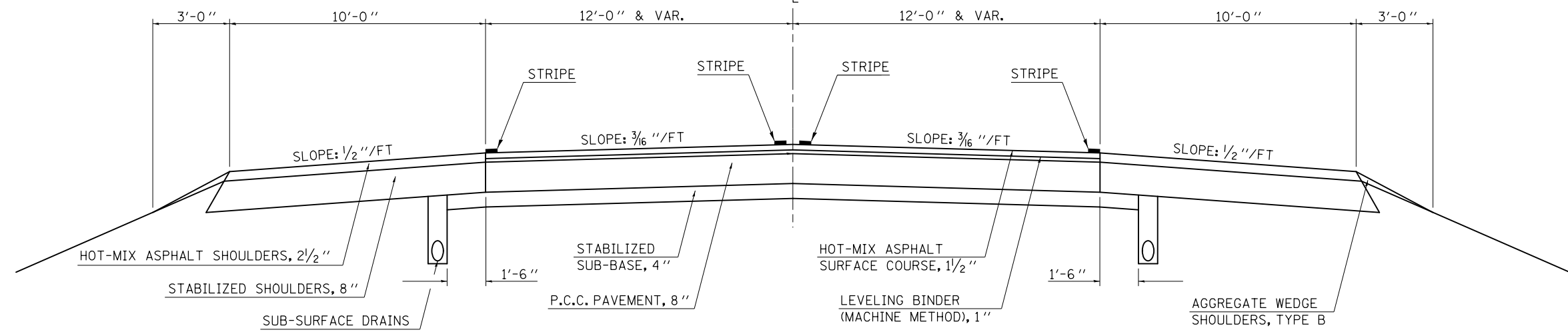
STATION EQUATION:  
 STA. 69+25.00 (BK) = STA. 856+04.00 (AH)

# 1 EXISTING TYPICAL CROSS SECTION

F.A.P. ROUTE 760 (IL 48)

LOCATION #2

STATION TO STATION  
 30+00.00 36+00.00 (2)  
 (2) 64+00.00 69+25.00 (BK) (3)



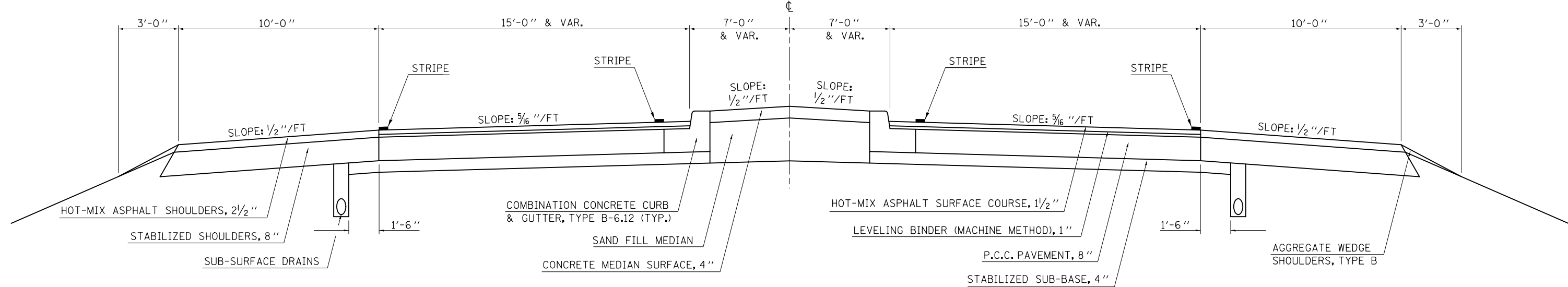
# 2 EXISTING TYPICAL CROSS SECTION

F.A.P. ROUTE 760 (IL 48)

LOCATION #2

STATION TO STATION  
 (1) 36+00.00 64+00.00 (1)

STRUCTURE OMISSION:  
 STA. 48+74.50 TO STA. 51+25.50 (S.N. 074-0055)



• D5 CRACK & JOINT SEAL 2012-1  
 •• DEWITT, MCLEAN, PIATT

FILE NAME = c:\pwwork\pwwork\personbr\d0287939\0520932-sh1-typical.dgn	USER NAME = personbr	DESIGNED - GAE	REVISED -	STATE OF ILLINOIS DEPARTMENT OF TRANSPORTATION	EXISTING TYPICAL CROSS SECTIONS LOCATION #2				F.A. RTE.	SECTION	COUNTY	TOTAL SHEETS	SHEET NO.
	PLOT SCALE = 48.0000' / in.	CHECKED -	REVISED -		SCALE: NONE	SHEET 1	OF 2	SHEETS	STA.	TO STA.	••	36	16
PLOT DATE = 1/25/2012	DATE - 12/01/11	REVIS	REVIS							CONTRACT NO. 70932		ILLINOIS FED. AID PROJECT	