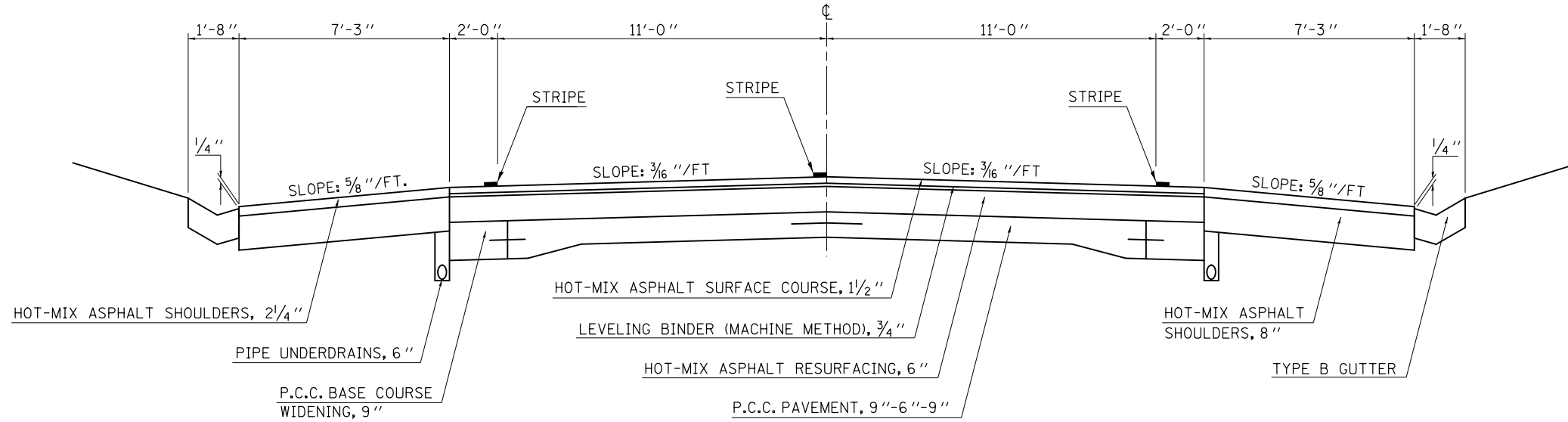


③ EXISTING TYPICAL CROSS SECTION

F.A.P. ROUTE 760 (IL 48)

LOCATION #3

STATION	TO	STATION
④ 257+01.15		263+47.27 ⑥
⑥ 286+22.53		288+32.51 ④
④ 305+74.63		317+03.24 ④

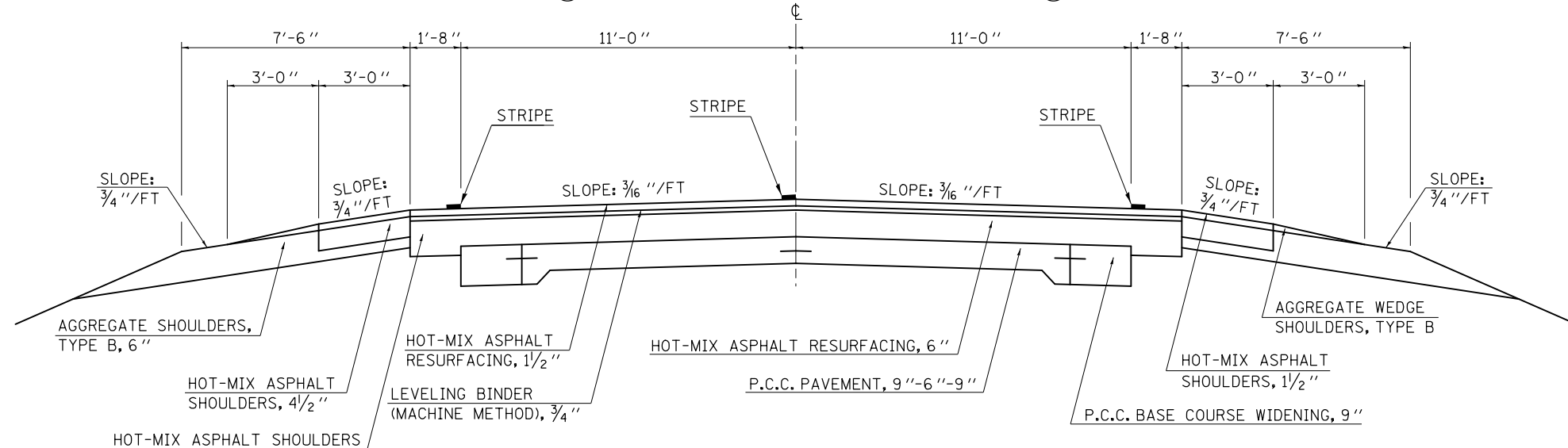


④ EXISTING TYPICAL CROSS SECTION

F.A.P. ROUTE 760 (IL 48)

LOCATION #3

STATION	TO	STATION
② 249+46.15		257+01.15 ③
③ 288+32.51		305+74.63 ③
③ 317+03.00		327+51.15 ②



• D5 CRACK & JOINT SEAL 2012-1
• DEWITT, MCLEAN, PIATT

FILE NAME =	USER NAME = ppersonbr	DESIGNED - GAE	REVISED -	STATE OF ILLINOIS DEPARTMENT OF TRANSPORTATION	EXISTING TYPICAL CROSS SECTIONS LOCATION #3	F.A. RTE.	SECTION	COUNTY	TOTAL SHEETS	SHEET NO.	
ci:\pw\work\p\dot\personbr\d0287939\050932-sh-typical.dgn	PLOT SCALE = 40.0000' / in.	DRAWN - BBP	REVISED -			VAR.	*	**	36	19	
PLOT DATE = 1/25/2012	DATE - 12/01/11	CHECKED -	REVISED -			CONTRACT NO. 70932			ILLINOIS FED. AID PROJECT		
		DATE -	REVISED -			SCALE: NONE	SHEET 2 OF 3 SHEETS	STA.	TO STA.		