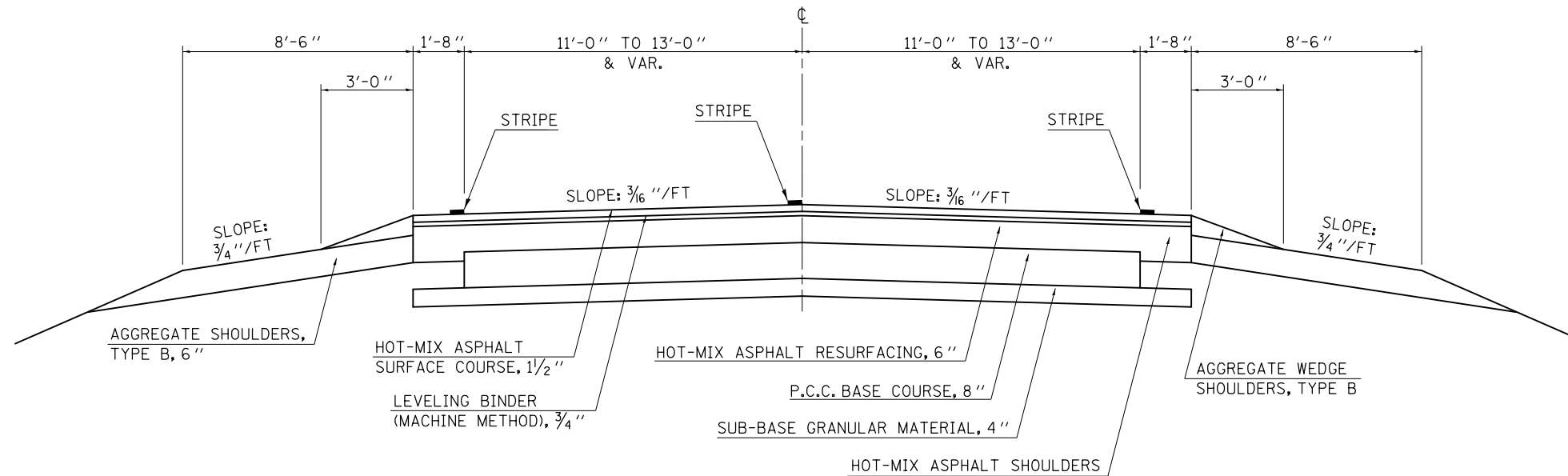


5 EXISTING TYPICAL CROSS SECTION

F.A.P. ROUTE 760 (IL 48)

LOCATION #3

STATION TO STATION
 ② 346+91.50 TO 353+21.35



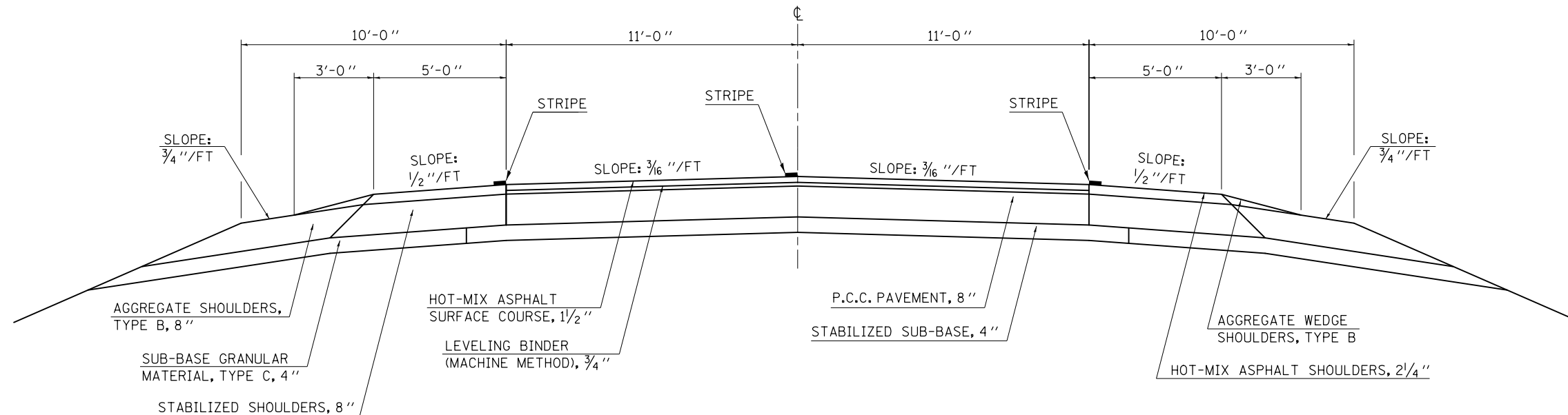
6 EXISTING TYPICAL CROSS SECTION

F.A.P. ROUTE 760 (IL 48)

LOCATION #3

STATION TO STATION
 ③ 263+47.27 TO 286+22.53 ③

STRUCTURE OMISSION:
 STA. 273+03.31 TO STA. 275+32.31 (S.N. 020-0045)



• D5 CRACK & JOINT SEAL 2012-1
 •• DEWITT, MCLEAN, PIATT

FILE NAME =	USER NAME = ppersonbr	DESIGNED - GAE	REVISED -	STATE OF ILLINOIS DEPARTMENT OF TRANSPORTATION	EXISTING TYPICAL CROSS SECTIONS LOCATION #3	F.A. RTE.	SECTION	COUNTY	TOTAL SHEETS	SHEET NO.
ct:\pwork\work\pwork\personbr\d0287939\05	0932-sh-typical.dgn	DRAWN - BBP	REVISED -						36	20
	PLOT SCALE = 40.0000' / in.	CHECKED -	REVISED -							
	PLOT DATE = 1/25/2012	DATE - 12/01/11	REVISED -			SCALE: NONE	SHEET 3	OF 3 SHEETS	STA.	TO STA.
										CONTRACT NO. 70932
										ILLINOIS FED. AID PROJECT