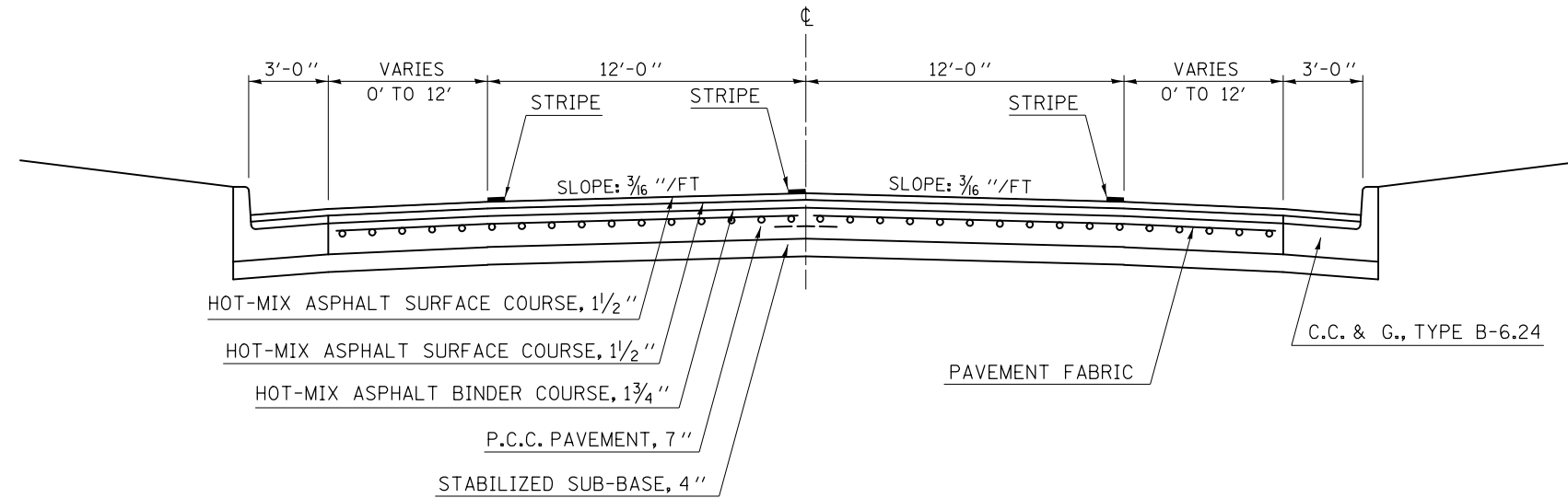


3 EXISTING TYPICAL CROSS SECTION

F.A.I. ROUTE 72 (I-72)

LOCATION #2

	STATION	TO	STATION
①	2024+85.00 EB		2041+32.00 EB
②	2024+98.00 WB		2038+78.00 WB



4 EXISTING TYPICAL CROSS SECTION

F.A.I. ROUTE 72 (I-72) RAMPS

LOCATION #2

RAMPS AT IL ROUTE 10

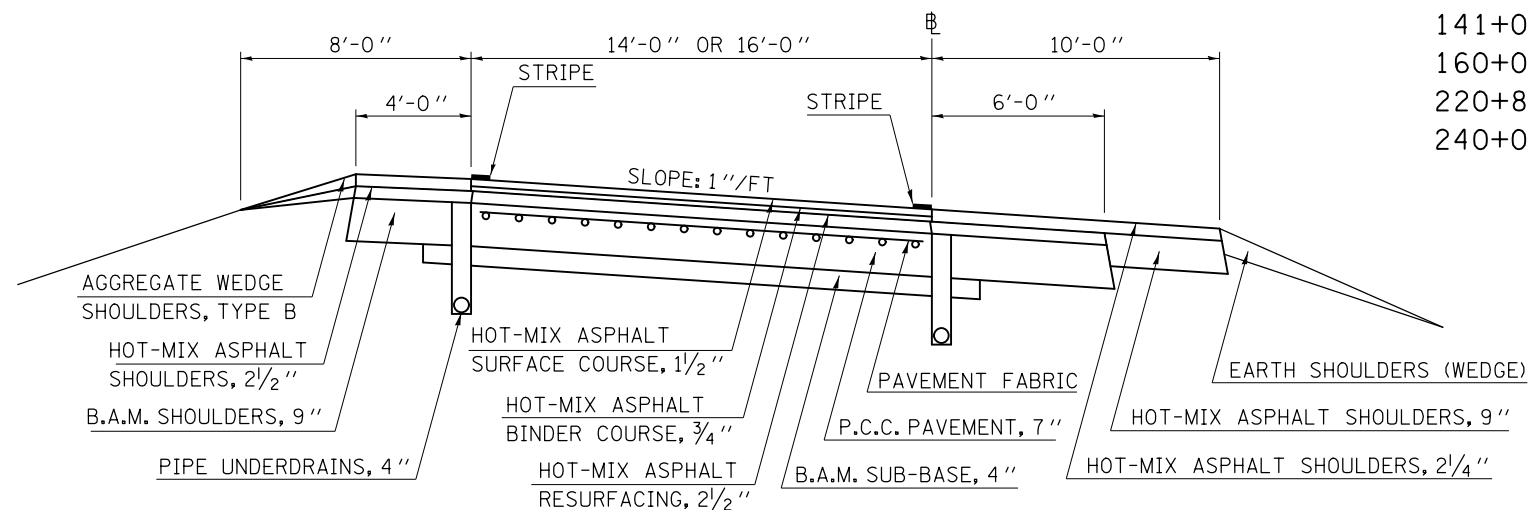
STATION	TO	STATION
100+90.00		118+19.90 WB
200+00.00		219+65.00 WB
300+00.00		319+65.00 EB
401+00.00		418+13.90 EB

RAMPS AT IL ROUTE 47

STATION	TO	STATION
500+85.00		521+40.00 WB
600+00.00		617+55.00 WB
700+00.00		717+20.00 EB
800+50.00		821+40.00 EB

RAMPS AT F.A.I. ROUTE 57

STATION	TO	STATION	
11+15.00		14+25.00	EB LOOP
26+68.00		32+65.00	NB LOOP
71+53.00		74+22.00	WB LOOP
88+00.00		92+70.00	SB LOOP
141+00.00		152+30.86	SB RAMP E
160+00.00		167+10.00	SB RAMP F
220+80.00		232+30.68	NB RAMP G
240+00.00		247+85.00	NB RAMP H



* D5 CRACK & JOINT SEAL 2012-2

FILE NAME =	USER NAME = ppersonbr	DESIGNED - BS	REVISED -	STATE OF ILLINOIS DEPARTMENT OF TRANSPORTATION	TYPICAL CROSS SECTIONS			F.A. RTE.	SECTION	COUNTY	TOTAL SHEETS	SHEET NO.
et:\pw\work\p\dot\personbr\d0287987\0570933-sh-typical.dgn		DRAWN - BBP	REVISED -		SCALE: NONE	SHEET 2	OF 2 SHEETS	STA.	TO STA.	VAR.	24	12
		CHECKED -	REVISED -									
		DATE - 01/11/12	REVISED -									

ILLINOIS FED. AID PROJECT CONTRACT NO. 70933