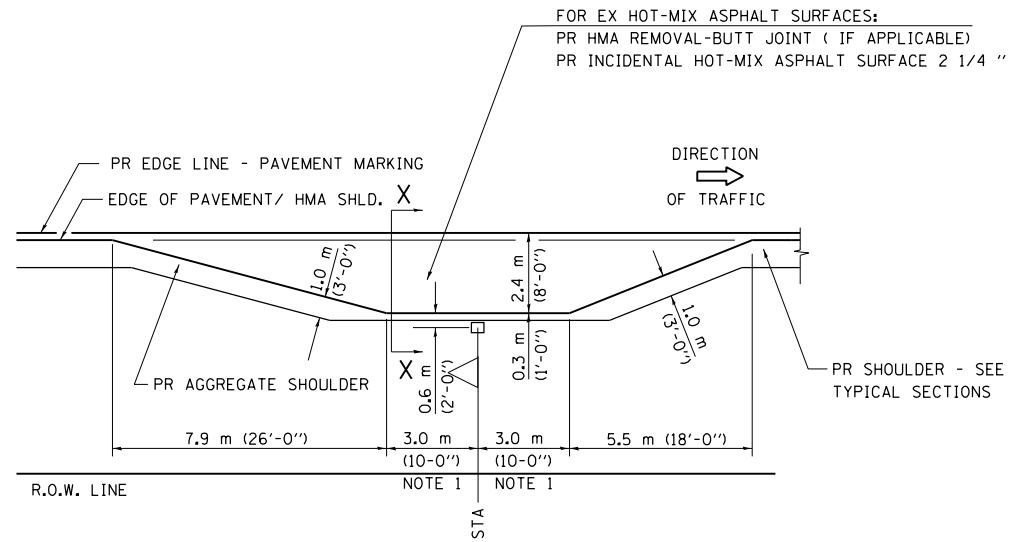
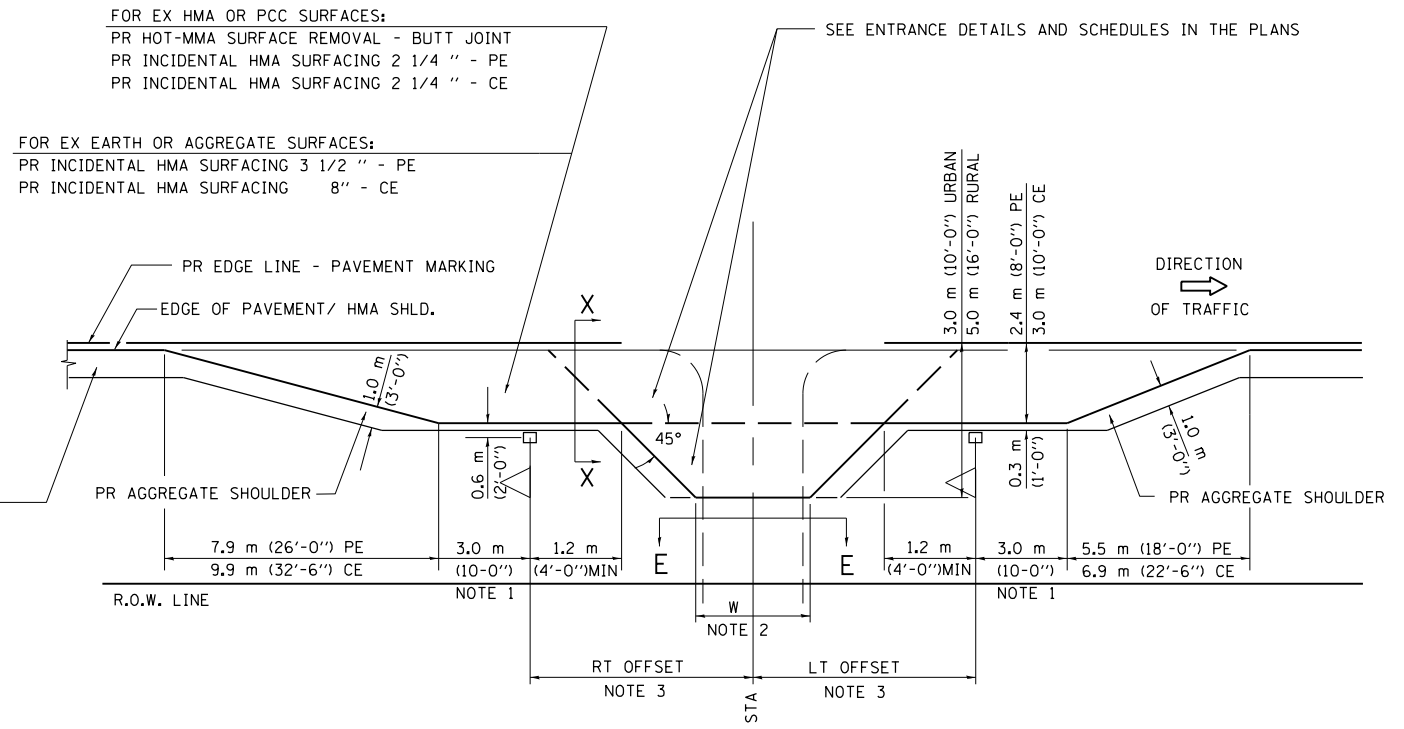


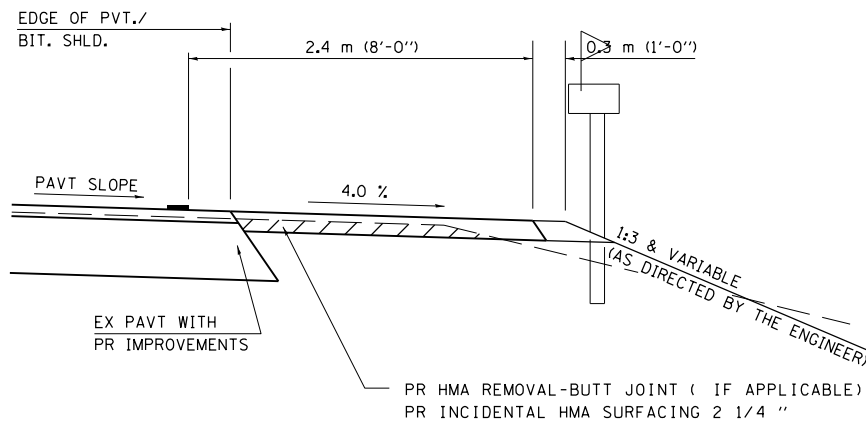
DETAILS OF MAILBOX TURNOUTS



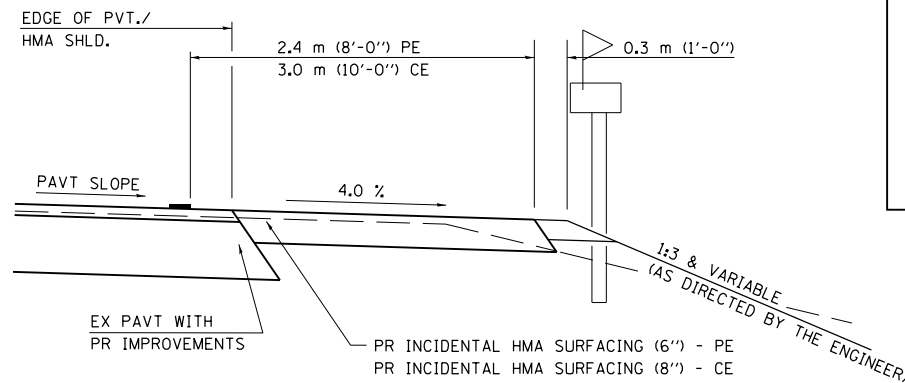
PLAN - MAILBOX TURNOUTS



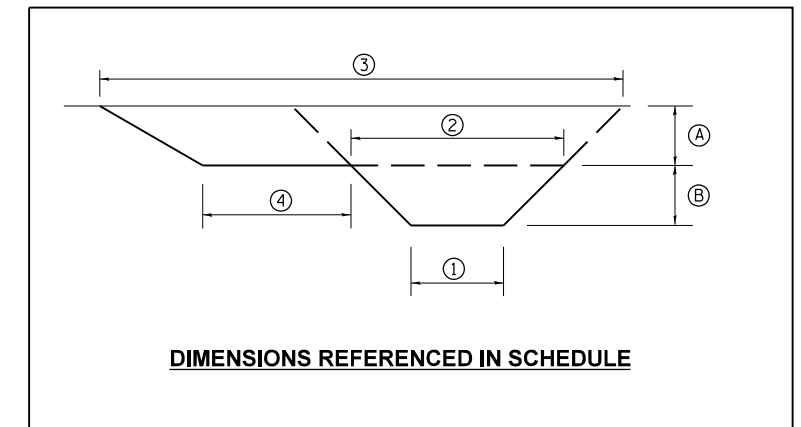
PLAN - COMBINED MAILBOX TURNOUT WITH TRAILING OR LEADING ENTRANCE



(DETAIL APPLIES WHEN M.B. TURNOUT DOES NOT EXIST.
 IF EXISTING, TREAT SAME AS ENTRANCE.)



(DETAIL APPLIES WHEN M.B. TURNOUT DOES NOT EXIST.
 IF EXISTING, TREAT SAME AS ENTRANCE.)



- NOTE 1 IF MORE THAN ONE MAILBOX IS PRESENT, DIMENSION FROM CENTER OF END MAILBOX.
- NOTE 2 FOR ENTRANCE LAYOUT DIMENSIONS AND SECTIONS A-A & E-E REFER TO THE SCHEDULES IN THE PLANS.
- NOTE 3 BOTH LT OR RT OFFSETS FOR MAILBOX SHOWN USE OFFSET DIMENSION PER SCHEDULE AND REFER TO LAYOUT SHOWN ON THE PLAN.

ALL DIMENSIONS ARE IN MILLIMETERS (INCHES)
 UNLESS OTHERWISE SHOWN.

FILE NAME =	USER NAME = sparksgw	DESIGNED -	REVISED -	STATE OF ILLINOIS DEPARTMENT OF TRANSPORTATION	DIST. 6 DETAILS FOR RURAL/URBAN ENT., MAILBOX TURNOUT & SIDEROADS W/O CONC. GUTTER (3P-PROJ.)	F.A.P. RTE.	SECTION	COUNTY	TOTAL SHEETS	SHEET NO.	
		DRAWN -	REVISED -			317	6RS-4	BROWN	23	21	
		CHECKED -	REVISED -			CONTRACT NO. 72884					
		DATE -	REVISED -			ILLINOIS FED. AID PROJECT					
PLOT SCALE = 40.0000 ' / in.		PLOT DATE = Feb-06-2012 03:00:09PM		SCALE:		SHEET NO. OF SHEETS STA. TO STA.					