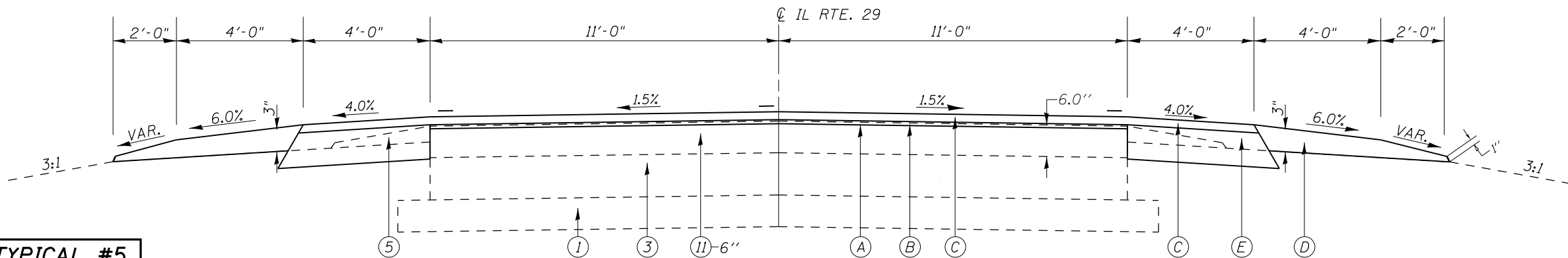


TYPICAL #4

STATION EQUATION: 784+49.53 BK = 33+22.93 AH
 STA. 33+22.93 TO STA. 62+19.80
 STA. 107+97.00 TO STA. 166+35.01
 STA. 184+96.61 TO STA. 190+96.61
 STA. 196+76.61 TO STA. 263+11.04
 STATION EQUATION: 263+11.04 BK = 263+14.42 AH
 STA. 263+14.42 TO 269+48.81



TYPICAL #5

STA. 62+19.80 TO STA. 69+10.00

EXISTING LEGEND

- ① SUB-BASE GRANULAR MATERIAL, TYPE A, 6"
- ② SUB-BASE GRANULAR MATERIAL, TYPE C, 12"
- ③ P.C.C. BASE COURSE, 8"
- ④ BITUMINOUS SHOULDER, SUPERPAVE, 8"
- ⑤ AGGREGATE SHOULDERS
- ⑥ BITUMINOUS CONCRETE SURFACE COURSE, 3"
- ⑦ BITUMINOUS CONCRETE SURFACE COURSE, 2 1/4"
- ⑧ BITUMINOUS CONCRETE BINDER COURSE
- ⑨ BITUMINOUS CONCRETE BASE COURSE WIDENING, 10"
- ⑩ PIPE UNDERDRAIN
- ⑪ BITUMINOUS CONCRETE SURFACE COURSE
- ⑫ BITUMINOUS CONCRETE PAVEMENT, FULL DEPTH, 13 1/4"
- ⑬ COMBINATION CONCRETE CURB AND GUTTER, TY. B-6.24
- ⑭ COMBINATION CONCRETE CURB AND GUTTER, TY. M-6.06
- ⑮ CONCRETE MEDIAN
- ⑯ P.C.C. PAVEMENT
- ⑰ GRANULAR EMBANKMENT
- ⑱ CORRUGATED MEDIAN
- ⑲ EXIST. CONC. GUTTER TYPE A (MODIFIED)

PROPOSED LEGEND

- (A) HOT-MIX ASPHALT SURFACE REMOVAL, VARIABLE DEPTH
- (B) LEVELING BINDER (MACHINE METHOD), N70, VARIABLE DEPTH
- (C) HOT-MIX ASPHALT SURFACE COURSE, MIX "C", N70, 1 1/2"
- (D) AGGREGATE SHOULDER, TYPE B
- (E) HOT-MIX ASPHALT SHOULDERS, 6 1/2"
- (F) SUB-BASE GRANULAR MATERIAL, TYPE B, 4"
- (G) BASE COURSE WIDENING, 11"
- (H) MEDIAN SURFACE REMOVAL
- (I) PAVEMENT REMOVAL
- (J) CORRUGATED MEDIAN REMOVAL
- (K) EARTH EMBANKMENT (NOT A PAY ITEM)

* - ((E)RS-4, (G)RS-6)I & (F)RS-3, I-1
 ** - MASON, MENARD

FILE NAME =	USER NAME = sparksgw	DESIGNED - JBK	REVISED -	STATE OF ILLINOIS DEPARTMENT OF TRANSPORTATION	IL 29 TYPICAL CROSS SECTIONS			F.A.P. RTE. 658	SECTION .	COUNTY .	TOTAL SHEETS 106	SHEET NO. 12
et:\pwork\pwork\sparksgw\0283522\0672\F04-sht-typical.dgn		DRAWN - JBK	REVISED -		SCALE:	SHEET NO. 4 OF 8 SHEETS	STA.	TO STA.	CONTRACT NO. 72F04		ILLINOIS FED. AID PROJECT	
		CHECKED -	REVISED -									
		DATE - 01-04-12	REVISED -									