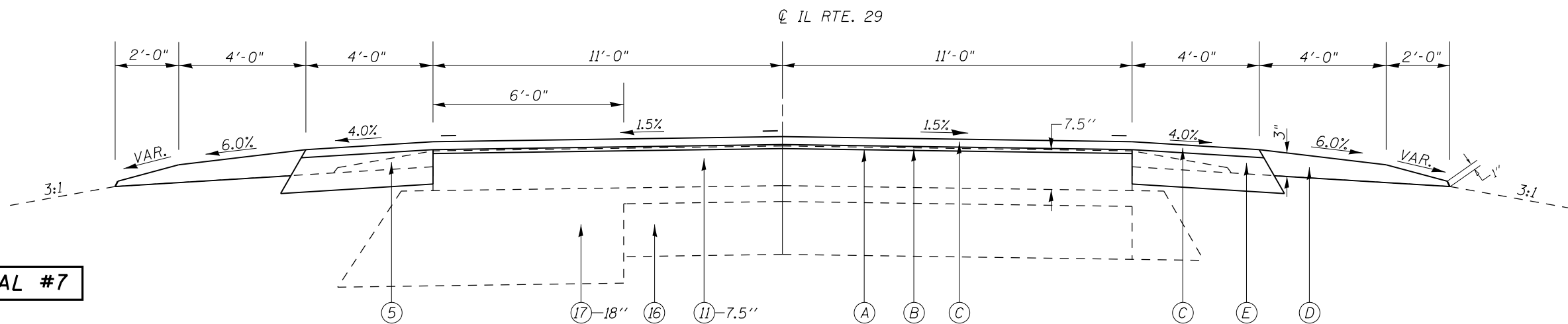


TYPICAL #6

STA. 69+10.00 TO STA. 76+60.00



TYPICAL #7

STA. 76+60.00 TO STA. 100+80.00

EXISTING LEGEND

- ① SUB-BASE GRANULAR MATERIAL, TYPE A, 6"
- ② SUB-BASE GRANULAR MATERIAL, TYPE C, 12"
- ③ P.C.C. BASE COURSE, 8"
- ④ BITUMINOUS SHOULDER, SUPERPAVE, 8"
- ⑤ AGGREGATE SHOULDERS
- ⑥ BITUMINOUS CONCRETE SURFACE COURSE, 3"
- ⑦ BITUMINOUS CONCRETE SURFACE COURSE, 2 1/4"
- ⑧ BITUMINOUS CONCRETE BINDER COURSE
- ⑨ BITUMINOUS CONCRETE BASE COURSE WIDENING, 10"
- ⑩ PIPE UNDERDRAIN
- ⑪ BITUMINOUS CONCRETE SURFACE COURSE
- ⑫ BITUMINOUS CONCRETE PAVEMENT, FULL DEPTH, 13 1/4"
- ⑬ COMBINATION CONCRETE CURB AND GUTTER, TY. B-6.24
- ⑭ COMBINATION CONCRETE CURB AND GUTTER, TY. M-6.06
- ⑮ CONCRETE MEDIAN
- ⑯ P.C.C. PAVEMENT
- ⑰ GRANULAR EMBANKMENT
- ⑱ CORRUGATED MEDIAN
- ⑲ EXIST. CONC. GUTTER TYPE A (MODIFIED)

PROPOSED LEGEND

- Ⓐ HOT-MIX ASPHALT SURFACE REMOVAL, VARIABLE DEPTH
- Ⓑ LEVELING BINDER (MACHINE METHOD), N70, VARIABLE DEPTH
- Ⓒ HOT-MIX ASPHALT SURFACE COURSE, MIX "C", N70, 1 1/2"
- Ⓓ AGGREGATE SHOULDER, TYPE B
- Ⓔ HOT-MIX ASPHALT SHOULDERS, 6 1/2"
- Ⓕ SUB-BASE GRANULAR MATERIAL, TYPE B, 4"
- Ⓖ BASE COURSE WIDENING, 11"
- Ⓗ MEDIAN SURFACE REMOVAL
- Ⓘ PAVEMENT REMOVAL
- ⓵ CORRUGATED MEDIAN REMOVAL
- ⓶ EARTH EMBANKMENT (NOT A PAY ITEM)

* - ((E)RS-4, (G)RS-6)I & (F)RS-3, I-1
 ** - MASON, MENARD

FILE NAME =	USER NAME = sparksgw	DESIGNED - JBK	REVISED -	STATE OF ILLINOIS DEPARTMENT OF TRANSPORTATION	IL 29 TYPICAL CROSS SECTIONS			F.A.P. RTE. 658	SECTION .	COUNTY **	TOTAL SHEETS 106	SHEET NO. 13
et:\pw\work\p\dot\sparksgw\10283522\0672\F04-sht-typic01.dgn	PLOT SCALE = 4.0000' / in.	DRAWN - JBK	REVISED -		SCALE:	SHEET NO. 5 OF 8 SHEETS	STA.	TO STA.	CONTRACT NO. 72F04			
	PLOT DATE = Mar-02-2012 10:42:30AM	CHECKED -	REVISED -		ILLINOIS FED. AID PROJECT							
		DATE - 01-04-12	REVISED -									