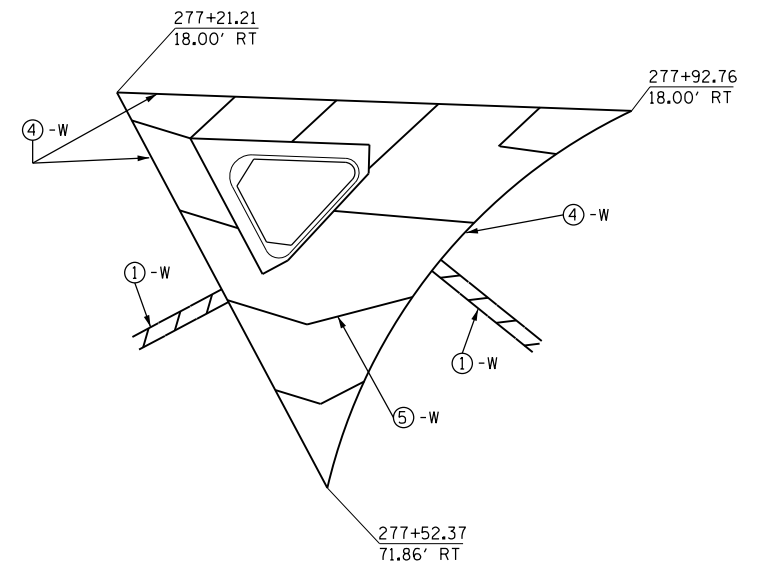
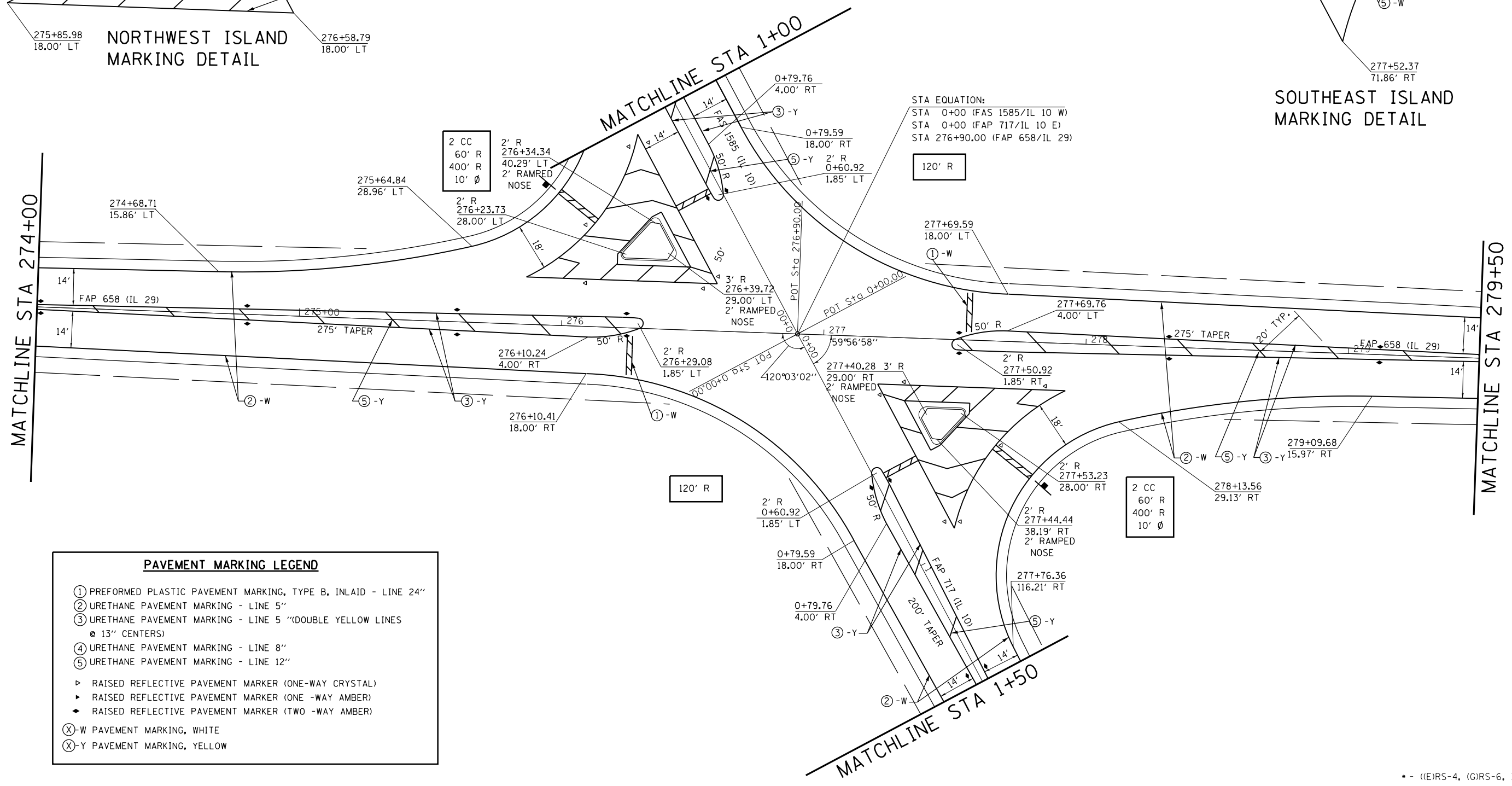


NORTHWEST ISLAND MARKING DETAIL



SOUTHEAST ISLAND MARKING DETAIL



PAVEMENT MARKING LEGEND

- ① PREFORMED PLASTIC PAVEMENT MARKING, TYPE B, INLAID - LINE 24"
- ② URETHANE PAVEMENT MARKING - LINE 5"
- ③ URETHANE PAVEMENT MARKING - LINE 5" (DOUBLE YELLOW LINES @ 13" CENTERS)
- ④ URETHANE PAVEMENT MARKING - LINE 8"
- ⑤ URETHANE PAVEMENT MARKING - LINE 12"
- ▶ RAISED REFLECTIVE PAVEMENT MARKER (ONE-WAY CRYSTAL)
- ▲ RAISED REFLECTIVE PAVEMENT MARKER (ONE -WAY AMBER)
- ◆ RAISED REFLECTIVE PAVEMENT MARKER (TWO -WAY AMBER)
- ⓧ-W PAVEMENT MARKING, WHITE
- ⓧ-Y PAVEMENT MARKING, YELLOW

FILE NAME =	USER NAME = sparksgw	DESIGNED -	REVISED -
c:\pwork\pwork\sparksgw\0283522\0672\F04-pvmtmark.dgn		DRAWN -	REVISED -
		CHECKED -	REVISED -
		DATE -	REVISED -

**STATE OF ILLINOIS
DEPARTMENT OF TRANSPORTATION**

**PAVEMENT MARKING DETAILS
IL 29 / IL 10 INTERSECTION**

F.A.P. RTE.	SECTION	COUNTY	TOTAL SHEETS	SHEET NO.
658	.	**	106	67
CONTRACT NO. 72F04				
ILLINOIS FED. AID PROJECT				

SCALE: SHEET 1 OF 5 SHEETS STA. TO STA.

* - ((E)RS-4, (G)RS-6, I & (F)RS-3, I-1)
** - MASON, MENARD