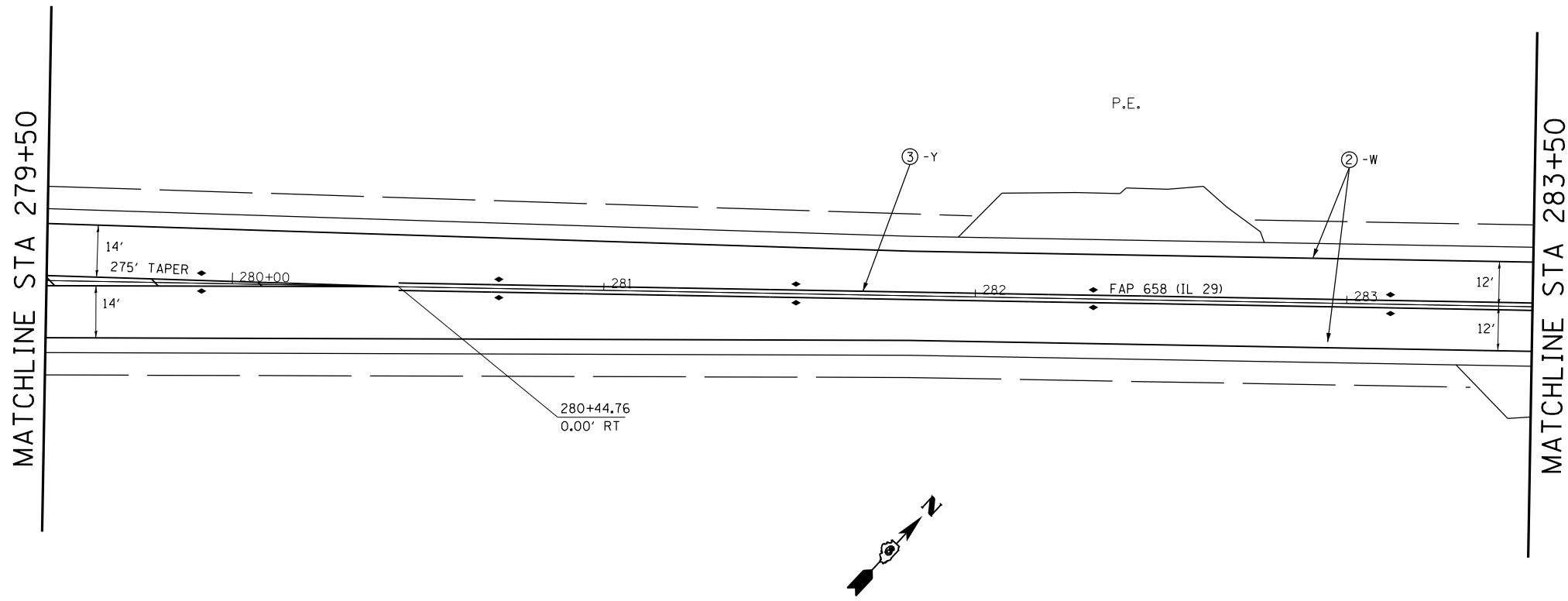
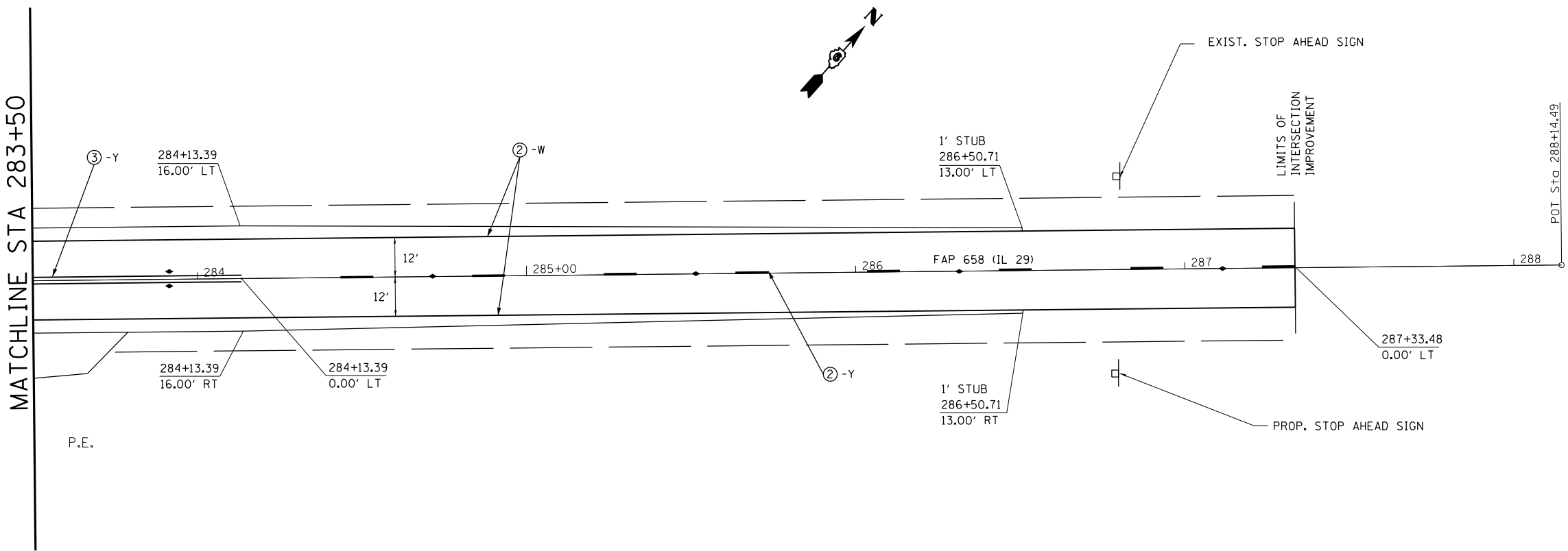


PAVEMENT MARKING LEGEND	
①	PREFORMED PLASTIC PAVEMENT MARKING, TYPE B, INLAID - LINE 24"
②	URETHANE PAVEMENT MARKING - LINE 5"
③	URETHANE PAVEMENT MARKING - LINE 5" (DOUBLE YELLOW LINES @ 13" CENTERS)
④	URETHANE PAVEMENT MARKING - LINE 8"
⑤	URETHANE PAVEMENT MARKING - LINE 12"
▷	RAISED REFLECTIVE PAVEMENT MARKER (ONE-WAY CRYSTAL)
▶	RAISED REFLECTIVE PAVEMENT MARKER (ONE -WAY AMBER)
◆	RAISED REFLECTIVE PAVEMENT MARKER (TWO -WAY AMBER)
⊗-W	PAVEMENT MARKING, WHITE
⊗-Y	PAVEMENT MARKING, YELLOW



IL 29 NORTH LEG



-- ((E)RS-4, (G)RS-6, I & (F)RS-3, I-1)  
 \*\* - MASON, MENARD

FILE NAME =	USER NAME = sparksgw	DESIGNED -	REVISED -
ei:\pw\work\p\idot\sparksgw\id0283522\0672\F04-pvmtmark.dgn		DRAWN -	REVISED -
	PLOT SCALE = 40.0000' / in.	CHECKED -	REVISED -
	PLOT DATE = Feb-27-2012 02:05:44PM	DATE -	REVISED -

STATE OF ILLINOIS  
 DEPARTMENT OF TRANSPORTATION

PAVEMENT MARKING DETAILS  
 NORTH LEG OF IL 29

SCALE: SHEET 3 OF 5 SHEETS STA. TO STA.

F.A.P. RTE.	SECTION	COUNTY	TOTAL SHEETS	SHEET NO.
658	.	**	106	69
CONTRACT NO. 72F04				
ILLINOIS FED. AID PROJECT				