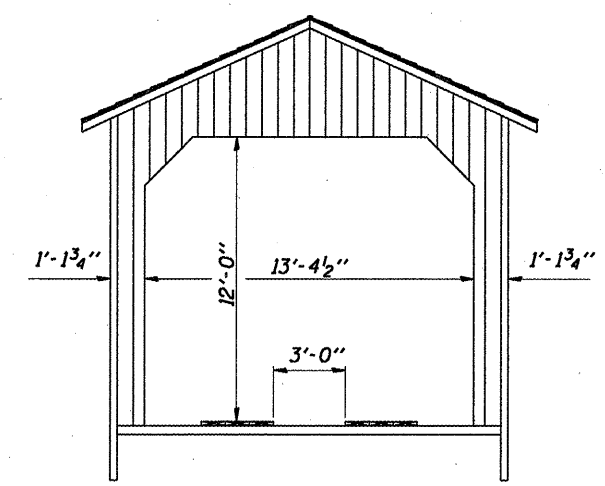
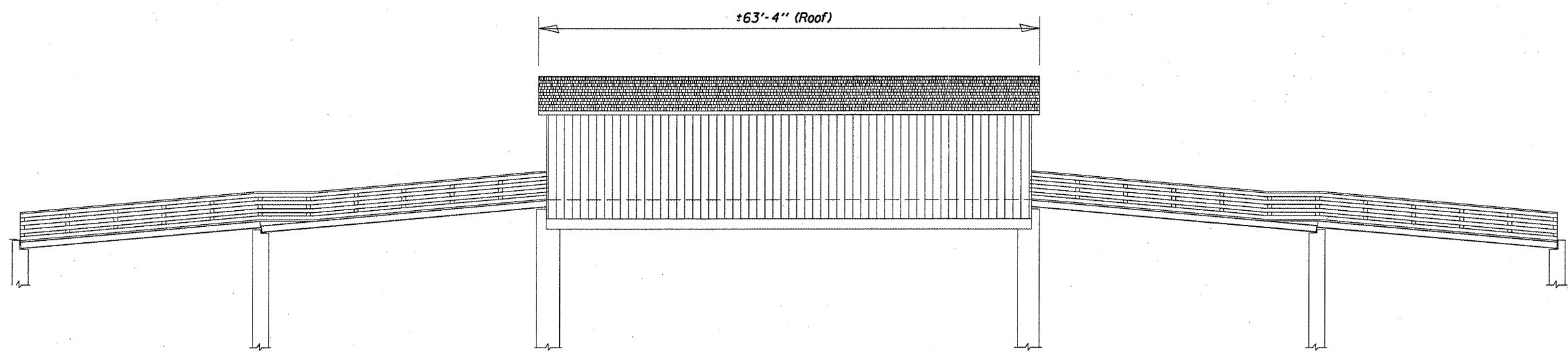


PLAN



END ELEVATION



SIDE ELEVATION

BRIDGE PLAN AND ELEVATION  
SN 084-0114  
D6 COVERED BRIDGE ROOF 2012  
SANGAMON COUNTY